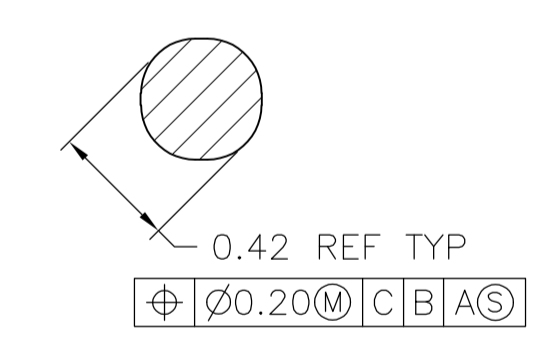
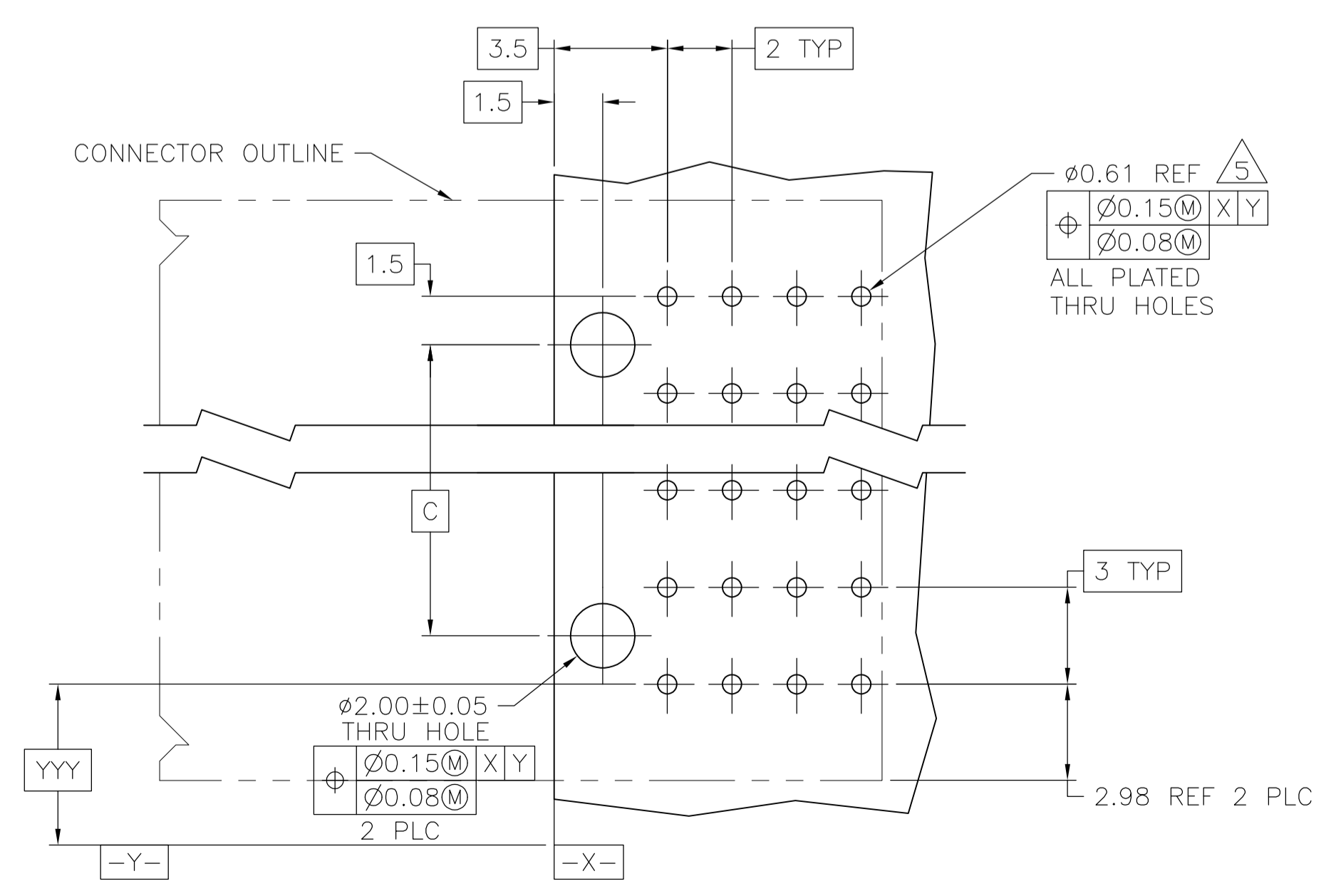
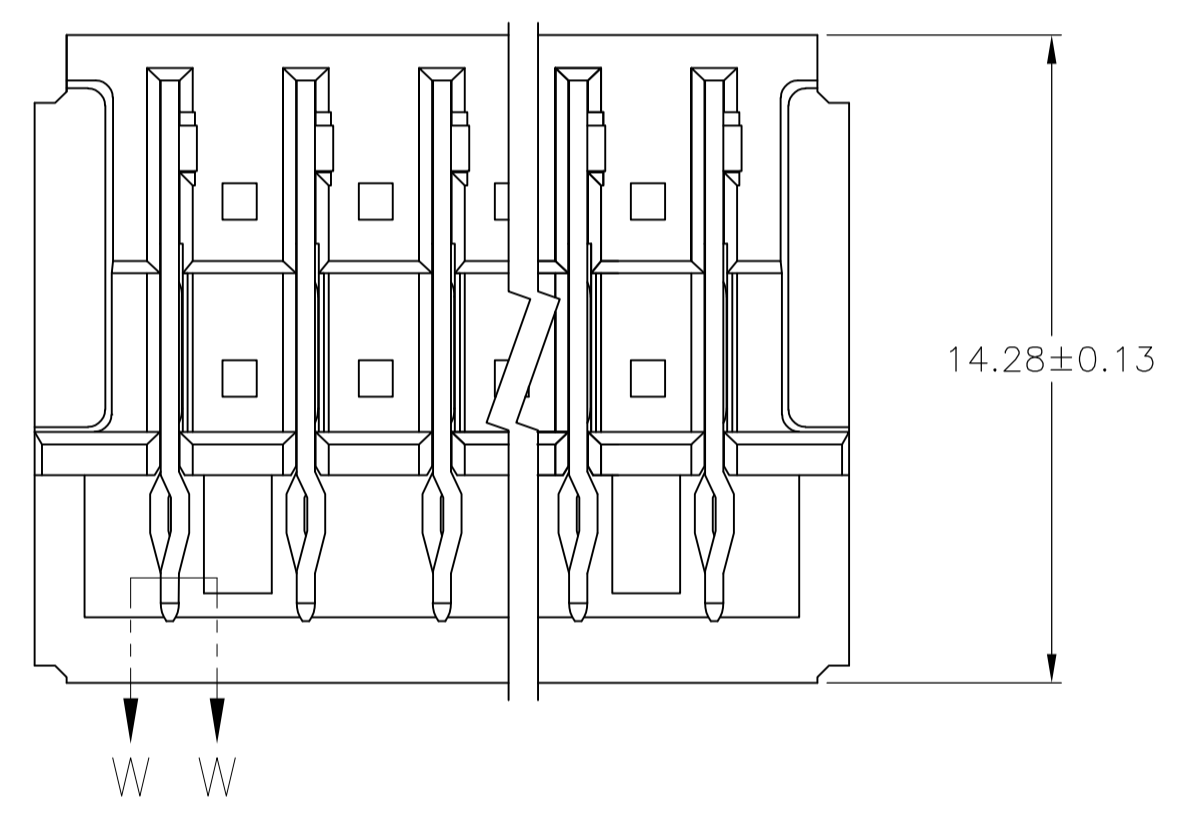
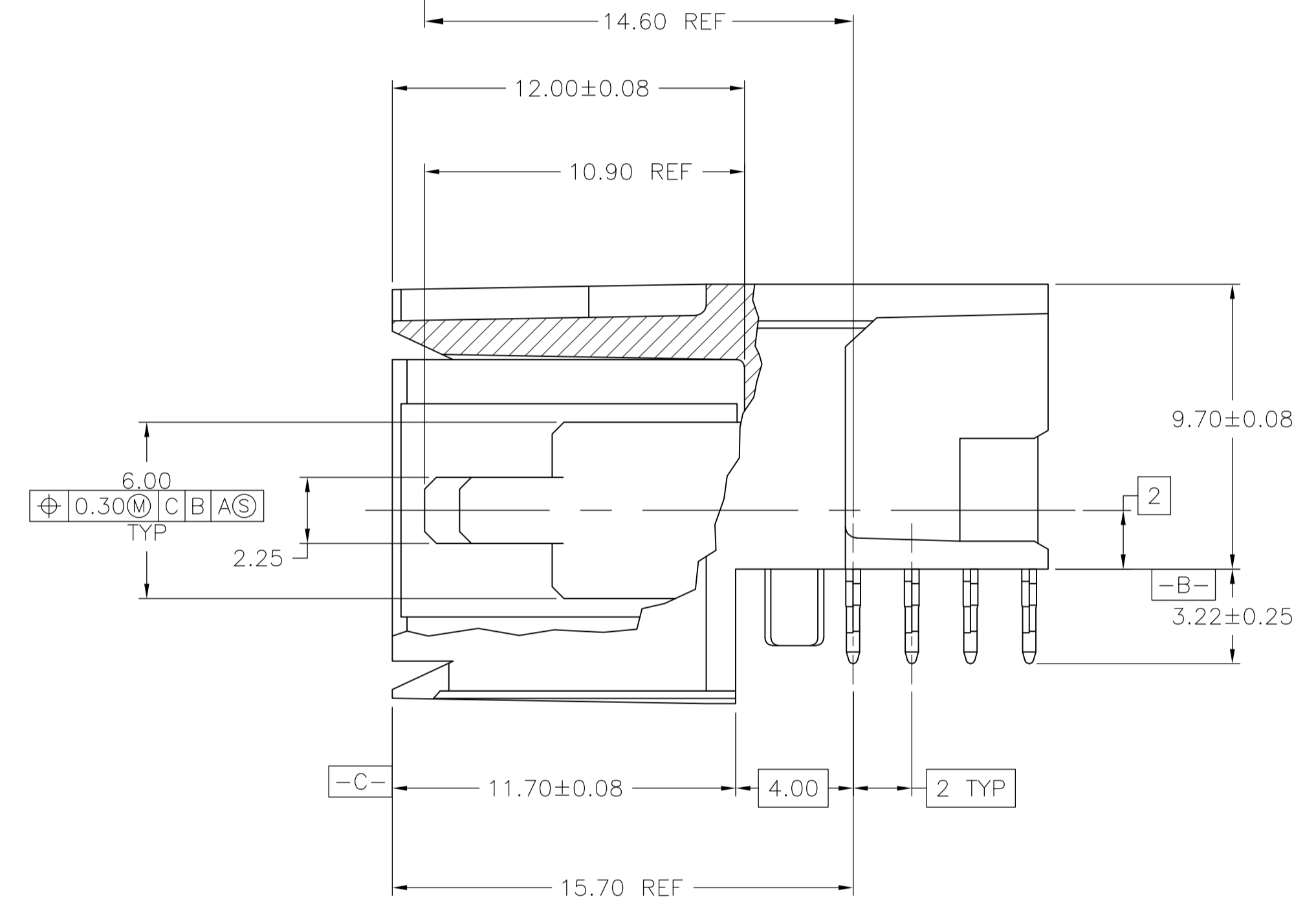
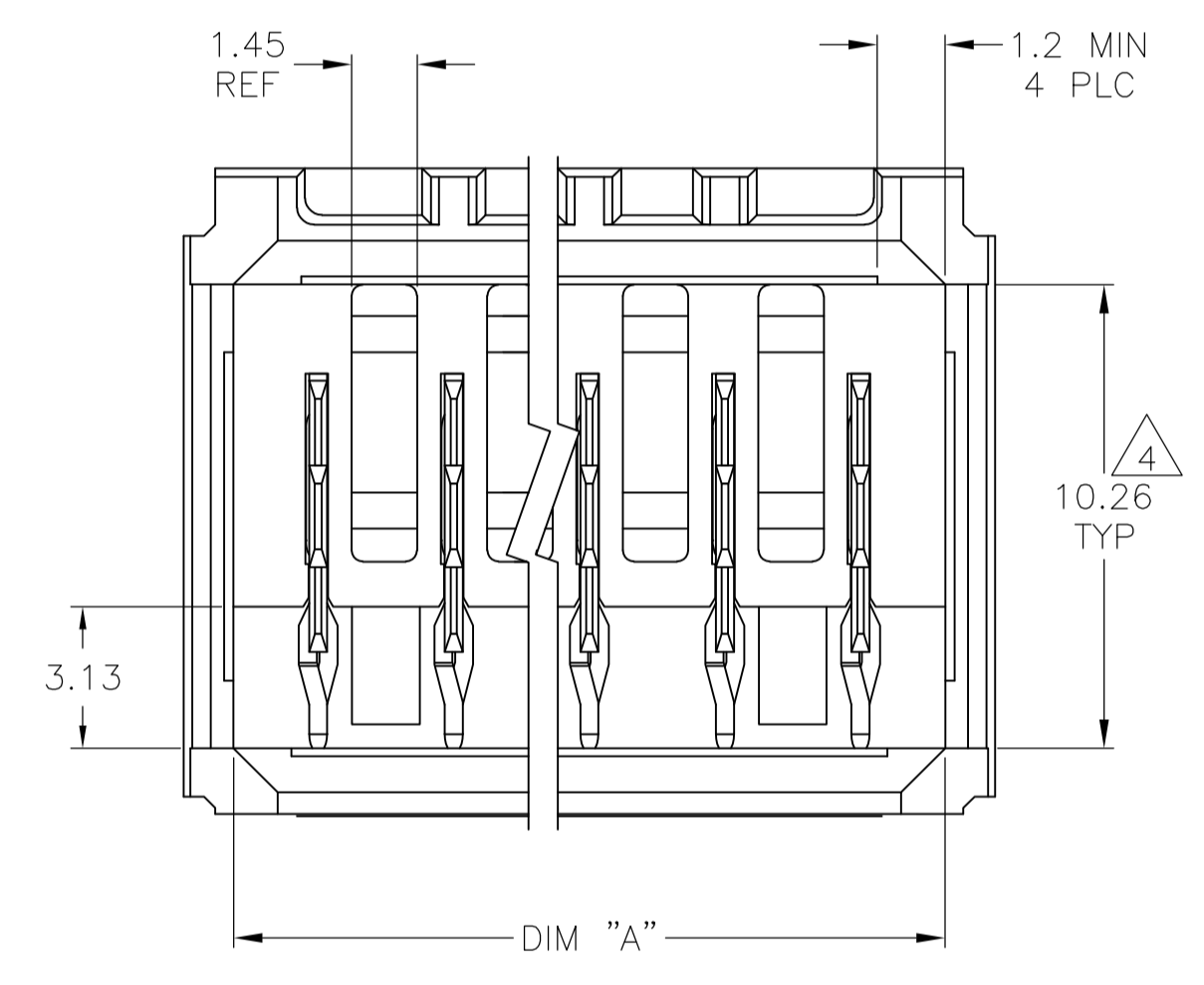


- 1 MATERIAL: HOUSING: POLYESTER, GRAY. UL 94V-0. CONTACT: HIGH CURRENT COPPER ALLOY.
- 2 FINISH: CONTACT MATING AREA: 1.27µm MIN GOLD ACTION PIN AREA: 0.5µm MIN MATTE TIN PLATE, ALL OVER 1.27µm MIN NICKEL UNDERPLATE.
- 3 FINISH: CONTACT LUBRICATION WITH BELLCORE APPROVED LUBRICANT. TECHNICAL REFERENCE: GR-1217-CORE, ISSUE 1, NOVEMBER 1995.
- 4 10.26 ± 0.13 DIMENSION APPLIES IN THIS AREA.
- 5 REFERENCE APPLICATION SPEC 114-1103 FOR RECOMMENDED PLATED THRU HOLE DIAMETER AND PLATING THICKNESSES.
- 6. CURRENT RATING 16A/CONTACT PER PRODUCT SPEC 108-1651.



A,B,D,E,F,G,H	-	18.0	27.00	24.75	8	1645526-5
C	A,B,D,E	9.0	18.00	15.75	5	1645526-2
POSITIONS LOADED WITH 10.90 CONTACTS	POSITIONS LOADED WITH 9.30 CONTACTS	DIM "C"	DIM "B"	DIM "A"	NO OF LOADED POSITIONS	PART NUMBER
THIS DRAWING IS A CONTROLLED DOCUMENT.		DIN D HUMBERT 14AUG2009		Tyco Electronics Corporation Harrisburg, PA 17105-3608		
DIMENSIONS: mm		TOLERANCES UNLESS OTHERWISE SPECIFIED:		NAME: ASSEMBLY, RIGHT ANGLE HEADER, W/ RETENTION PEGS, UNIVERSAL POWER MODULE		
0 PLC ± -		1 PLC ± -		SIZE: A1		
2 PLC ± 0.13		3 PLC ± -		CAGE CODE: 00779		
4 PLC ± -		ANGLES ± -		DRAWING NO: 1645526		
MATERIAL: 1		FINISH: 2 3		WEIGHT: -		
CUSTOMER DRAWING		SCALE: 6:1		SHEET 1 OF 1 REV C		