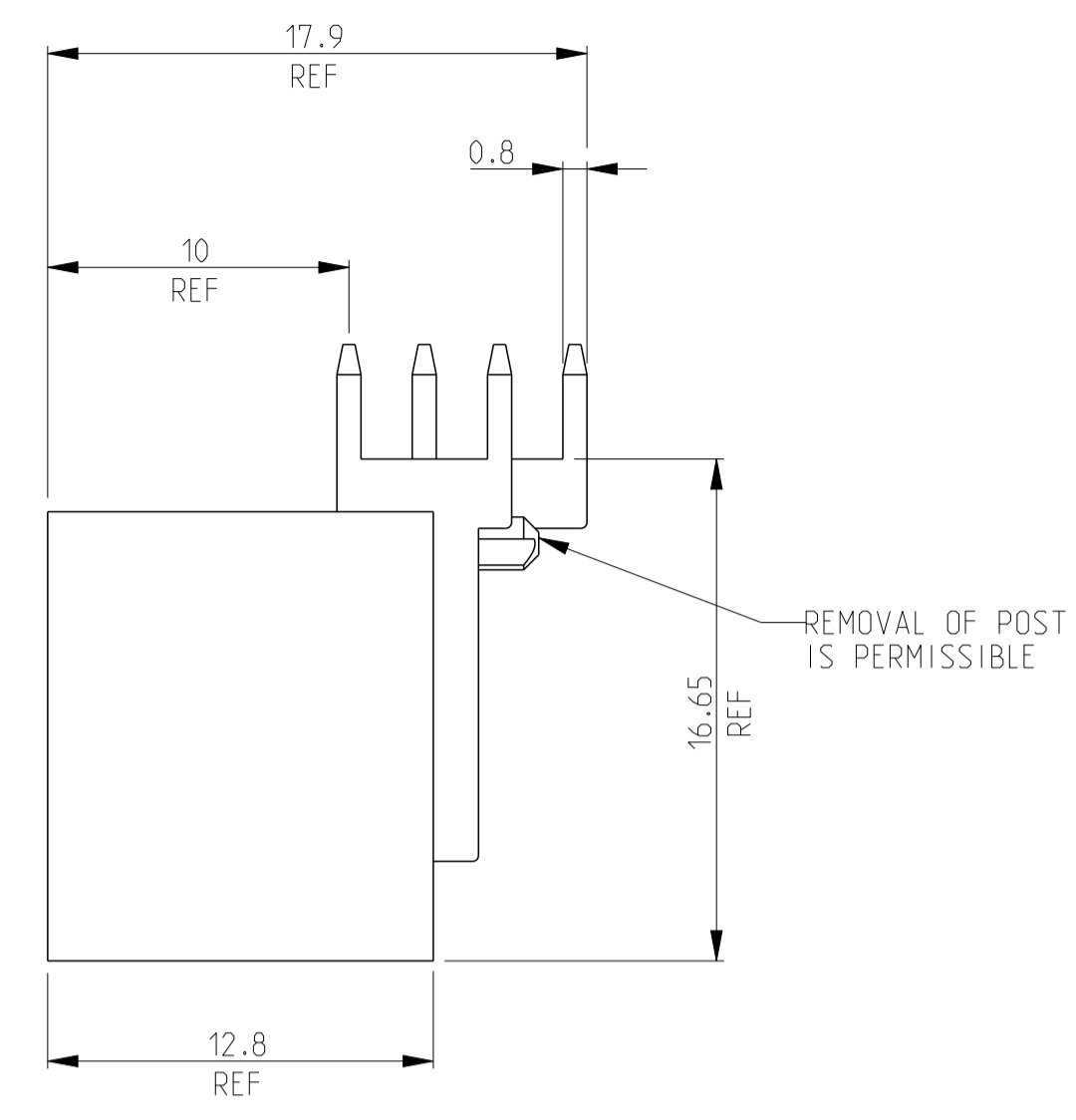
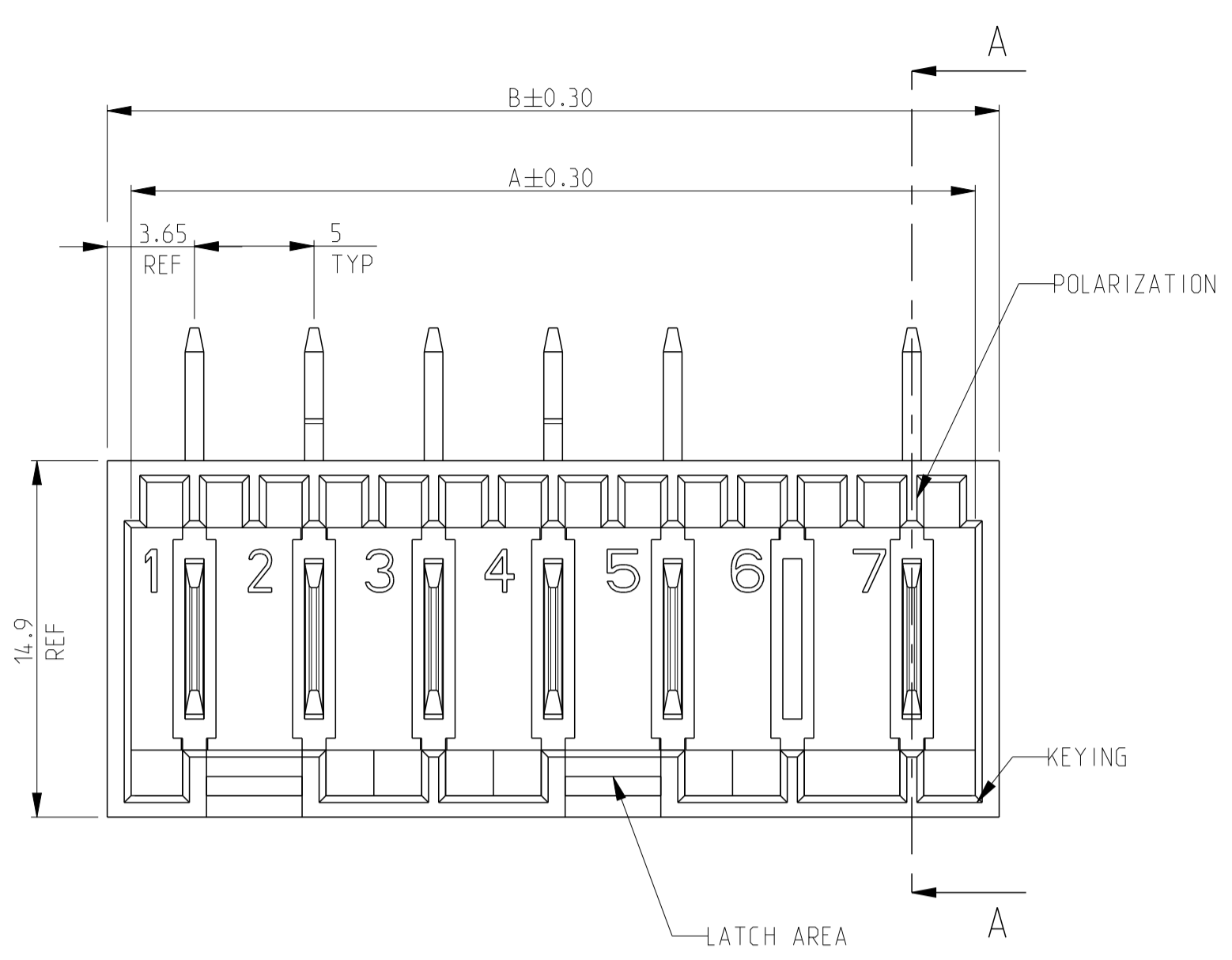
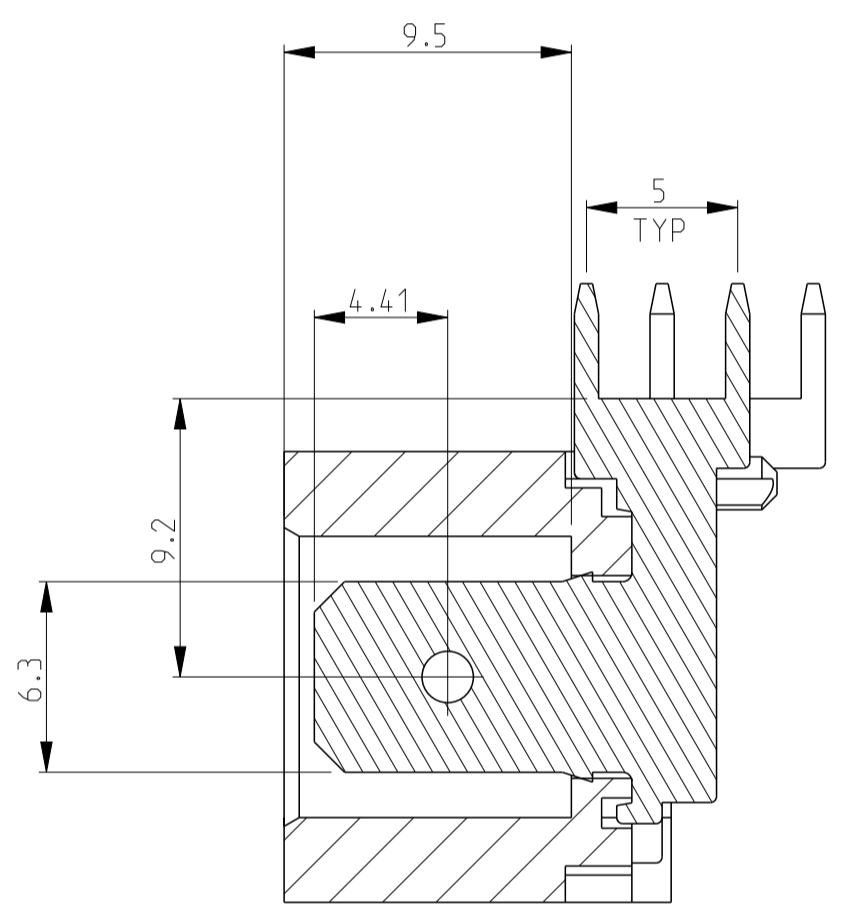
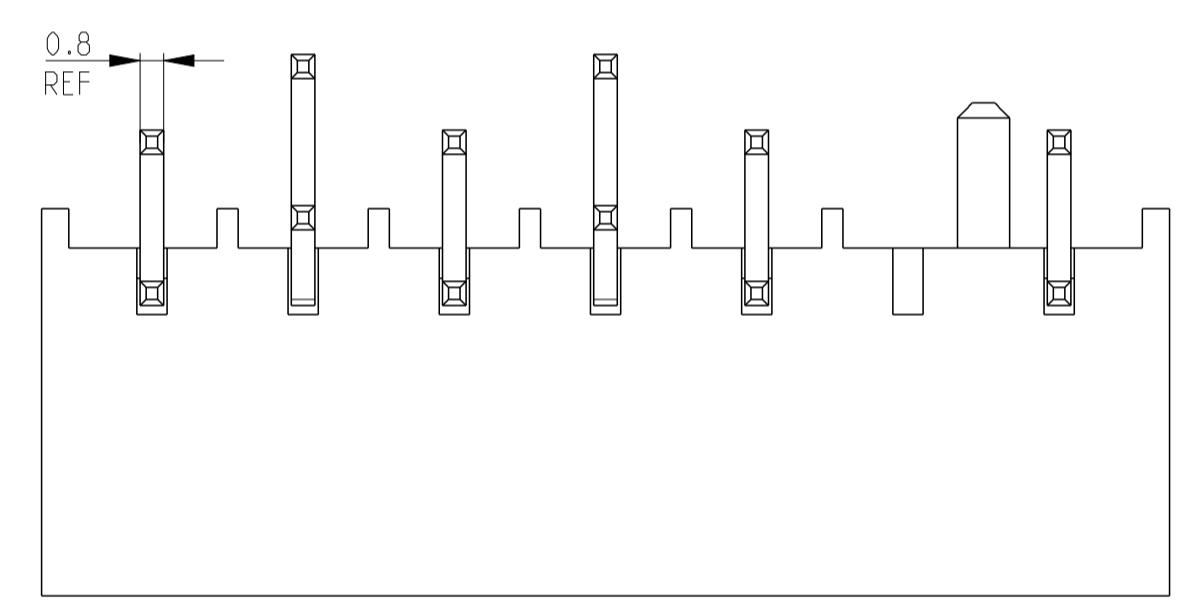


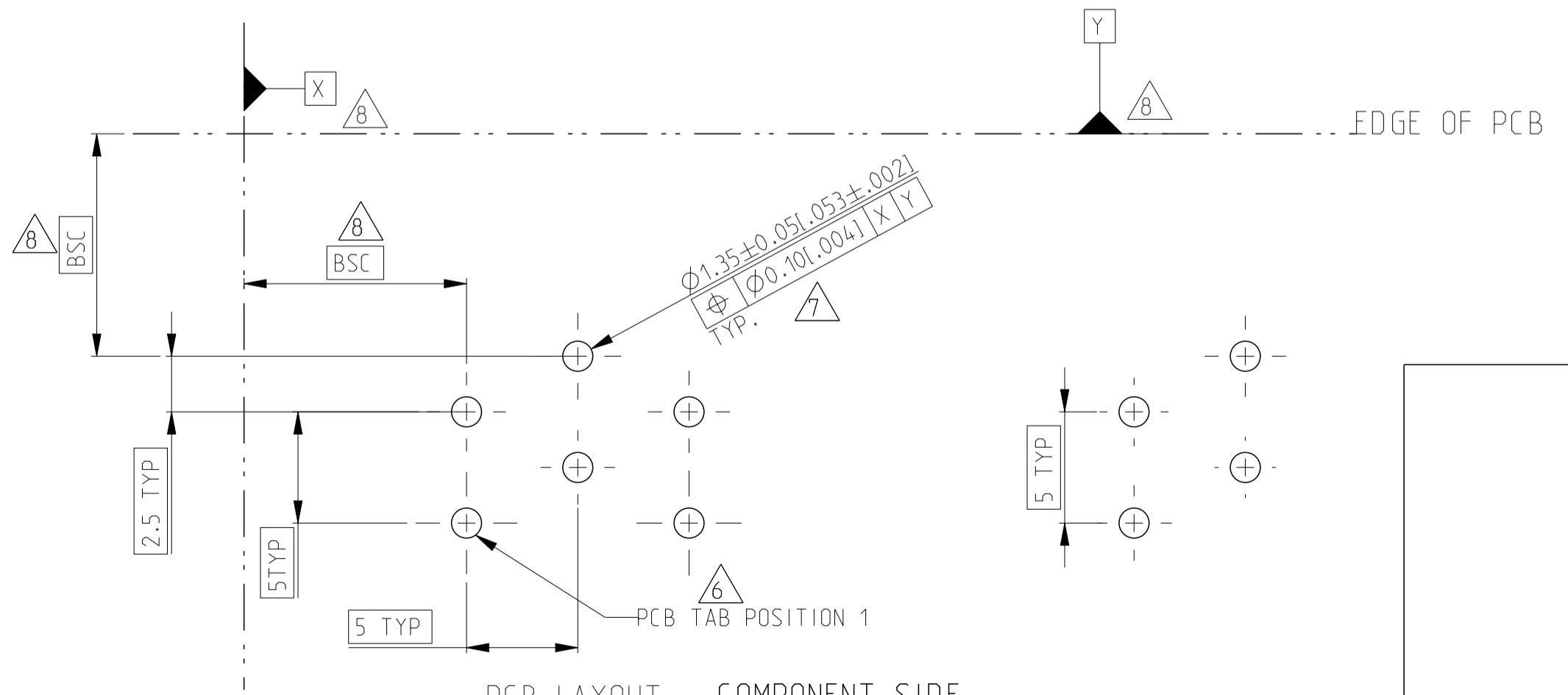
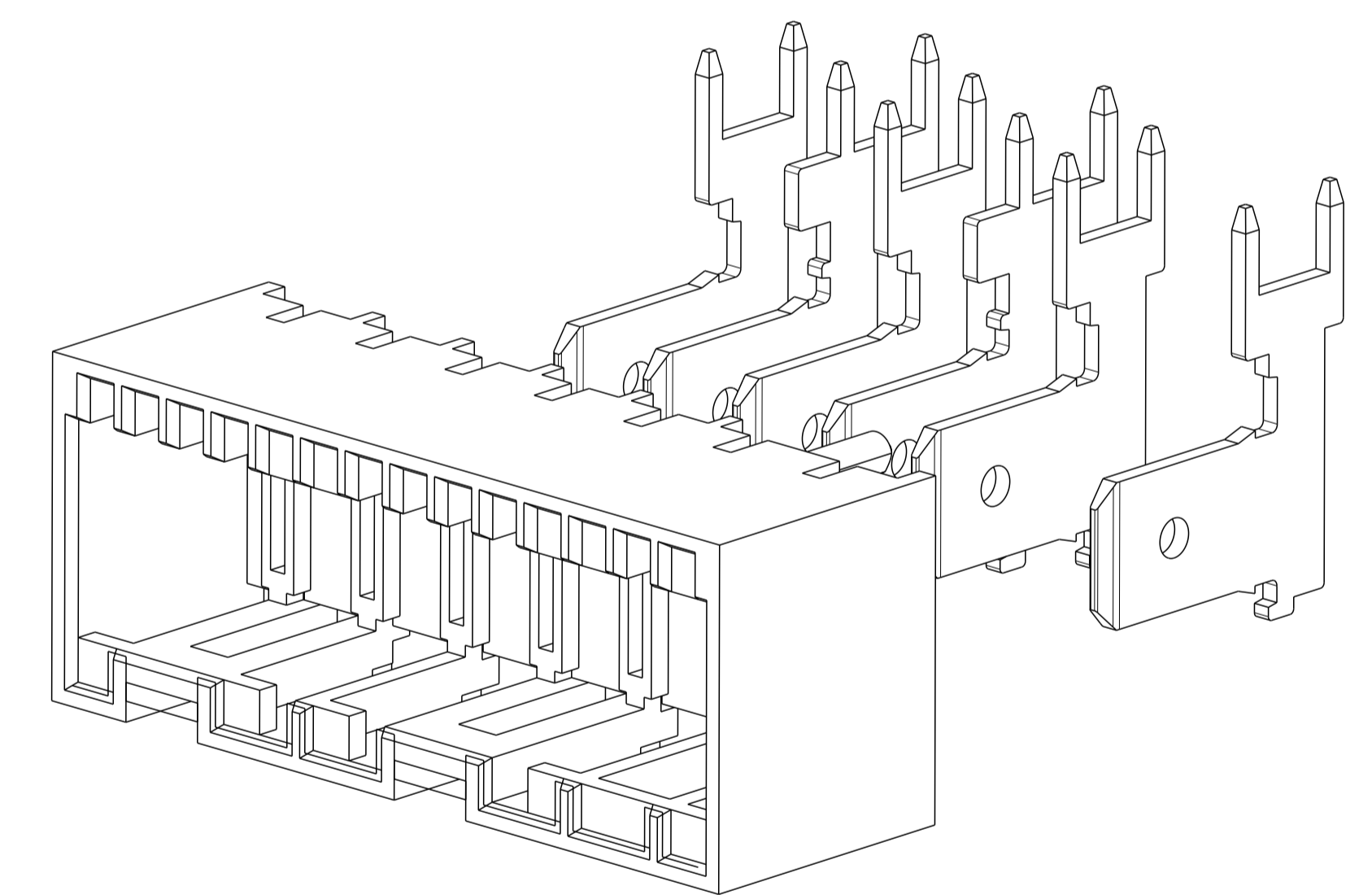
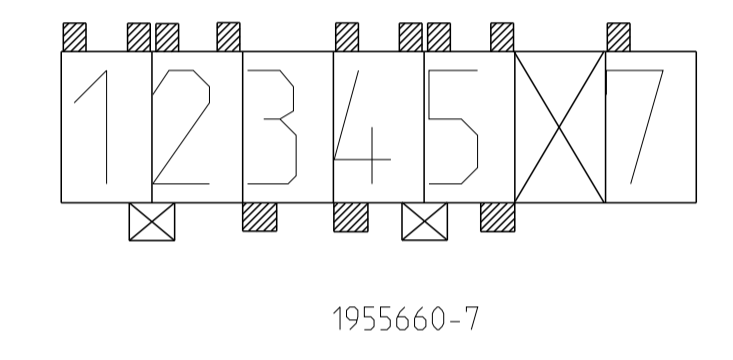
LOC		DIST		REVISIONS			
P	LTN	DESCRIPTION	DATE	DMN	APVD		
A1		Released with ECR-12-020949	05DEC2012	C.J	R.P		



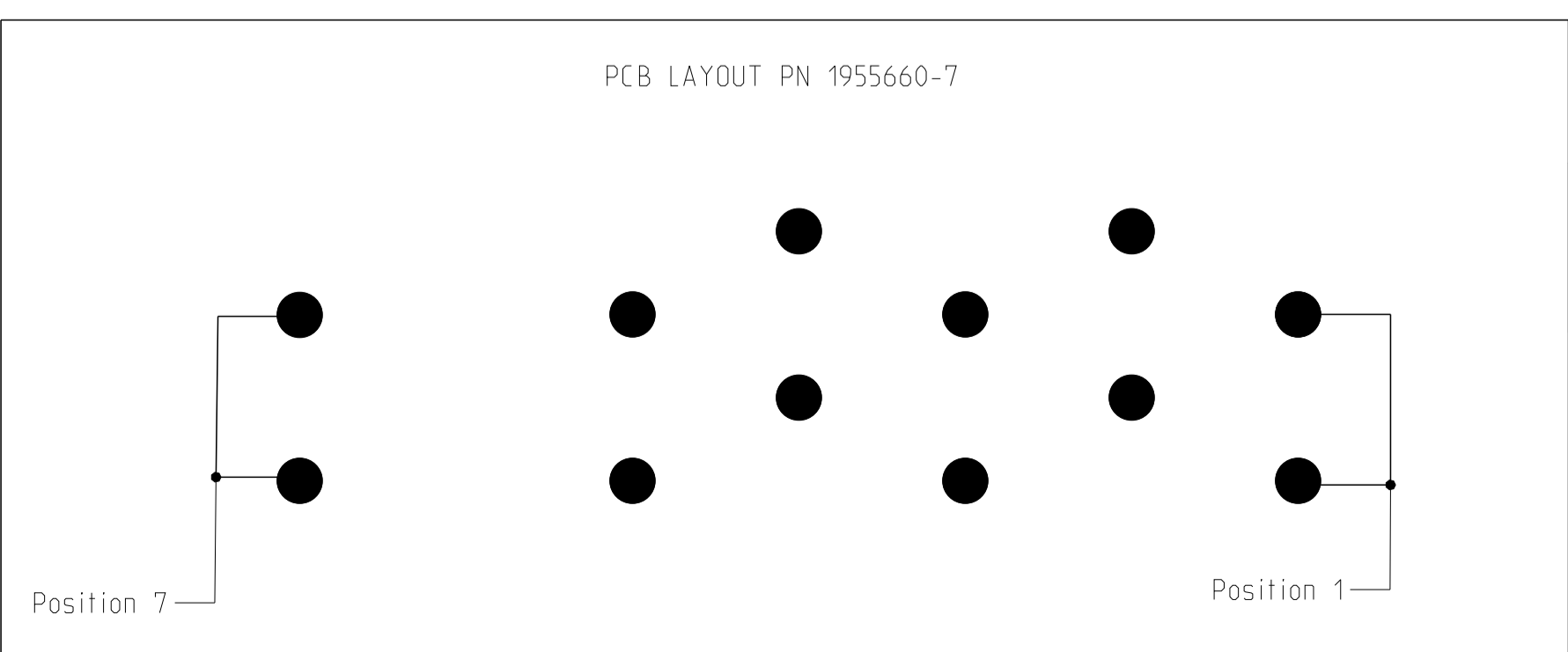
- HOUSING HAS RAST 5 COMPLIANT KEYING, LATCHING, AND POLARIZATION. TAB IS 6.3 x 0.8 (1.250 x .032) ACCORDING TO DIN 46244.
- POSSIBLE MATE MATING CONNECTOR FAMILIES INCLUDE STANDARD TIMER RAST 5, MULTIFITTING, MULTIFITTING MK11, AND MONO-SHAPE TAB CONNECTORS.
- SEE SHEET 1 FOR AVAILABLE CONFIGURATIONS .
- MATERIAL: HOUSING, PA6 NYLON, UL 94V-2, CONTACT, BRASS, 0.8 mm THICK.
- FINISH: CONTACTS, 3.8 µm MIN TIN OVER 1.3 µm MIN NICKEL.
- SELECTIVE CONTACT LOADING
- SELECTED HOLES MAY BE 1.05-0.05/-0.00 DIA [.041-.002/-0.001 DIA] FOR IMPROVED (PRESS-FIT) RETENTION TO P.C.B. PRIOR TO SOLDERING.
- DATUM AND BASIC DIMENSION ESTABLISHED BY CUSTOMER
- PRODUCT QUALIFICATION PER 108-2183
- GWT (GLOW WIRE TEST) 750°C WITHOUT FLAME NOTE TO CUSTOMER TESTING PENDING. THE SHROUD USED ON THESE ASSEMBLIES PASSED THIS REQUIREMENT ON P/N 521971, VDE REG - NR 6718
- PRELIMINARY - NOT FOR PRODUCTION



THIS PRINT IS  
**PRELIMINARY**  
 UNQUALIFIED PRODUCT  
 CONTACT PRODUCT ENGINEERING  
 BEFORE USING THIS PRINT



PCB LAYOUT - COMPONENT SIDE  
 PCB 1.5±0.14 [.059±.006] THICK  
 SCALE 4:1



37.3	35.3	7
B	A	NO. OF POS.

6	1/2, 4/5	3c,4c,5d,7d	1a, 4b,5a,7a	7	--	1955660-7
COMPONENT NUMBER	LATCH W WINDOWS	KEYING	POLAR.	NO. OF POS.	RAST 5 DESIG.	PART NUMBER
THIS DRAWING IS A CONTROLLED DOCUMENT.		DMN: CHEZHAN.J 06JUN2012	TE Connectivity			
DIMENSIONS: mm [INCHES]		CHK: RAJENDRA,PAI 06JUN2012	NAME: ASSEMBLY - DIN, RAST 5 HEADER, RIGHT ANGLE, GWT			
TOLERANCES UNLESS OTHERWISE SPECIFIED:		APVD: KLENNER,THOMAS 06JUN2012	PRODUCT SPEC: 108-2183			
0 PLC ±		APPL: KLENNER,THOMAS 06JUN2012	APPLICATION SPEC: -			
2 PLC ±0.25(.010)		SIZE: A1	CAGE CODE: 00779	DRAWING NO: C=1955660	RESTRICTED TO: -	
3 PLC ±		WEIGHT: -	SCALE: 5:1		SHEET 1 OF 1	
4 PLC ±		FINISH: -	REV: A1		Customer Drawing	