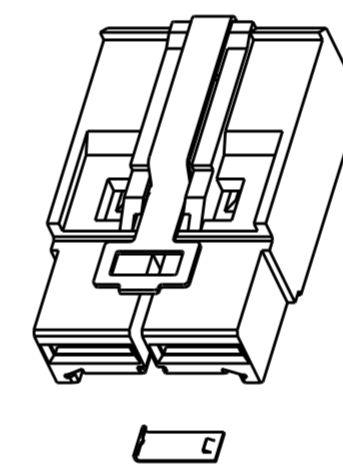
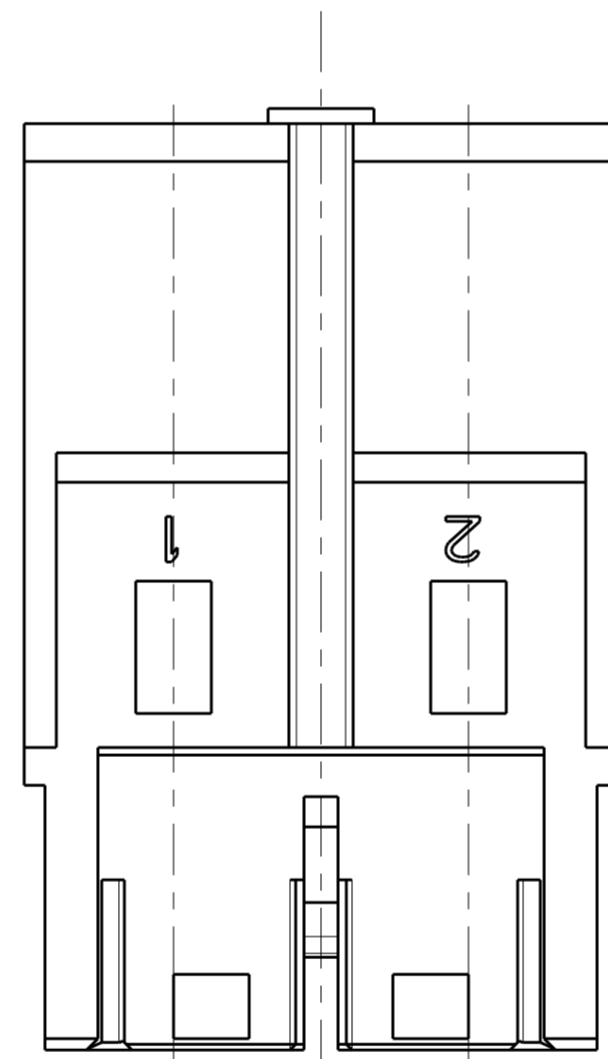
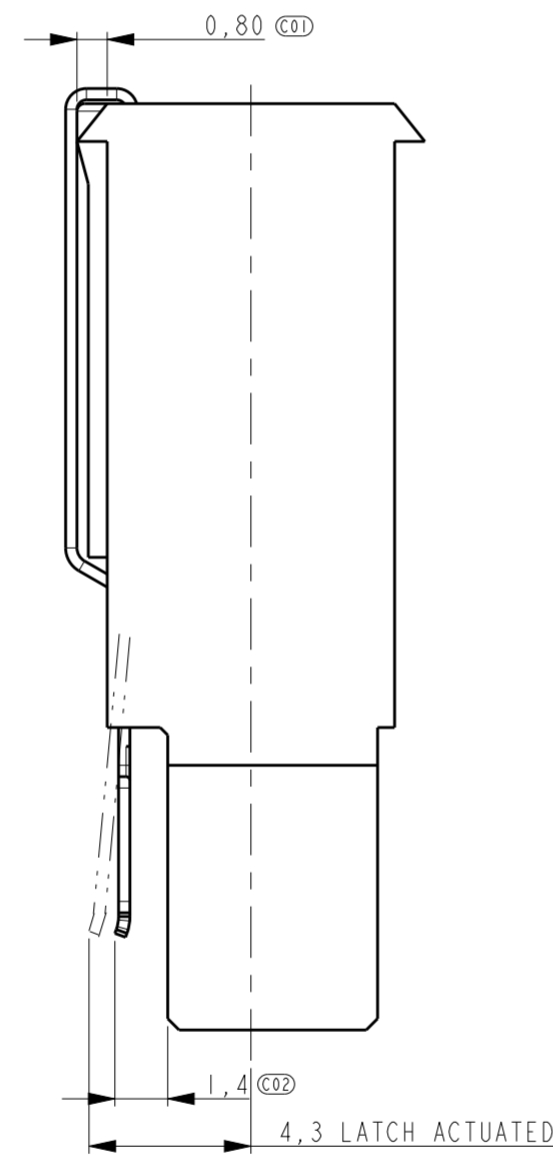
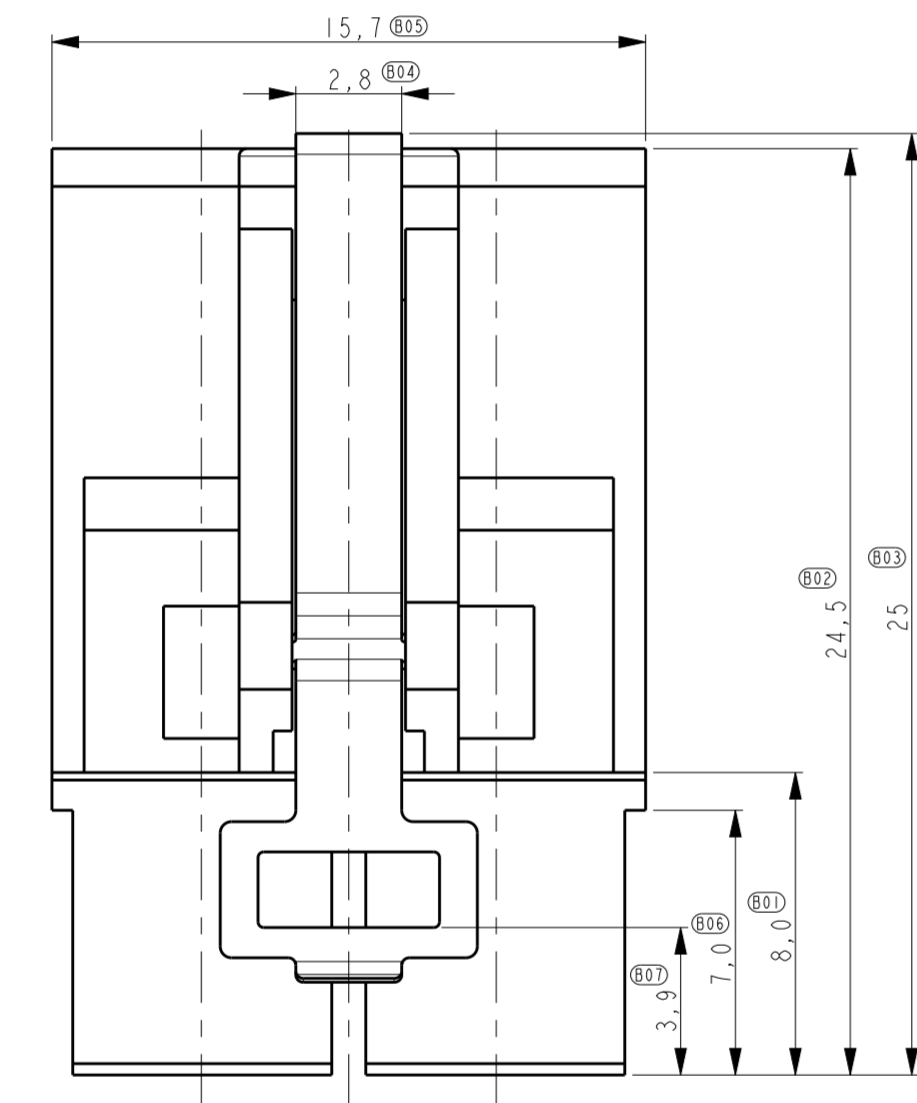
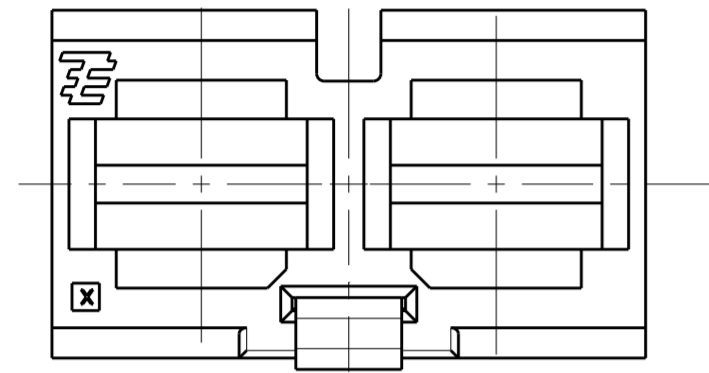


THIS DRAWING IS UNPUBLISHED. RELEASED FOR PUBLICATION  
 © COPYRIGHT - TE CONNECTIVITY ALL RIGHTS RESERVED.

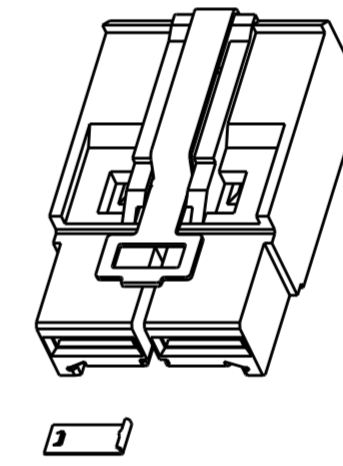
LOC	DIST	REVISIONS					
H	-	P	LTR	DESCRIPTION	DATE	DWN	APVD
		B2		ADD -8	08JAN2019	OL	SZ

NOTES:

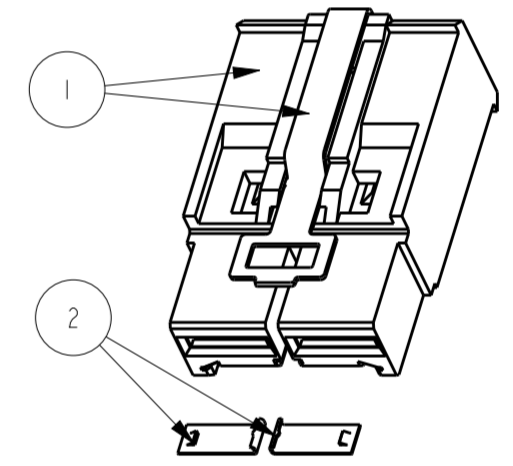
- 1 USE FOR (SILVER PLATED) STANDARD POWER TIMER CONTACTS .  
FOR CONTACTS PARTNUMBERS SEE DWG. C-1355048 VERSION A  
ALLOWED MAX WIRE SIZE 4 mm<sup>2</sup>.
- 2 LOOSE PIECE PART NUMBER ITEM 2:1982298-2.



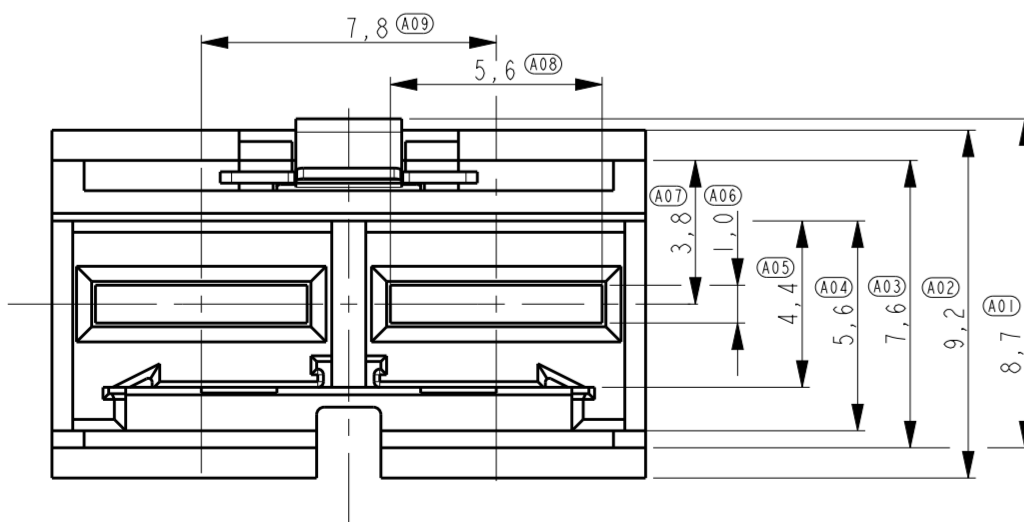
198299-1 WITH RIGHT CODING CONTACT



198299-2 WITH LEFT CODING CONTACT



198299-3 WITH TWO CODING CONTACTS



198299-4	198299-3	198299-2	198299-1
-	2	1	1
1	1	1	1
QTY	QTY	QTY	QTY

DESCRIPTION	CODING CONTACT	COPPER ALLOY	0.8 um Au IN CONTACT PLACE OVER 1.2 um Ni UNDERPLAYER OVERALL	2
DESCRIPTION	HOUSING LATCH	PA GF UL94V-0 STAINLESS STEEL	NA	1
DESCRIPTION		MATERIAL	FINISH	ITEM

THIS DRAWING IS A CONTROLLED DOCUMENT.

DWN: R. Annokkee 13-feb-07  
 CHK: R. Annokkee 13-feb-07  
 APVD: J. Broeksteeg

NAME: ELCON Mini, 2-position cable connector metal latch, 4mm<sup>2</sup> max. wire

PRODUCT SPEC: 108-19346  
 APPLICATION SPEC: 114-19110

MATERIAL: -  
 FINISH: -

WEIGHT: -

SCALE: 5:1  
 SHEET: 1 OF 2  
 REV: B2

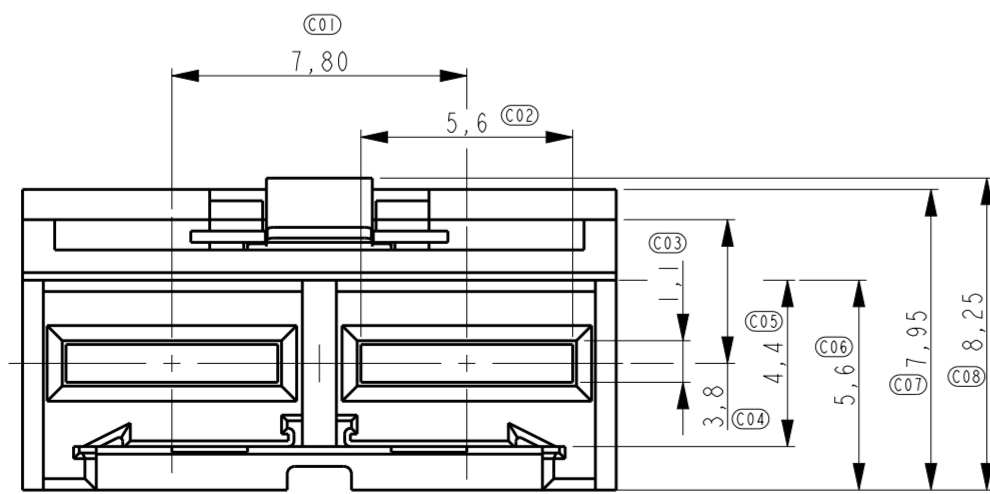
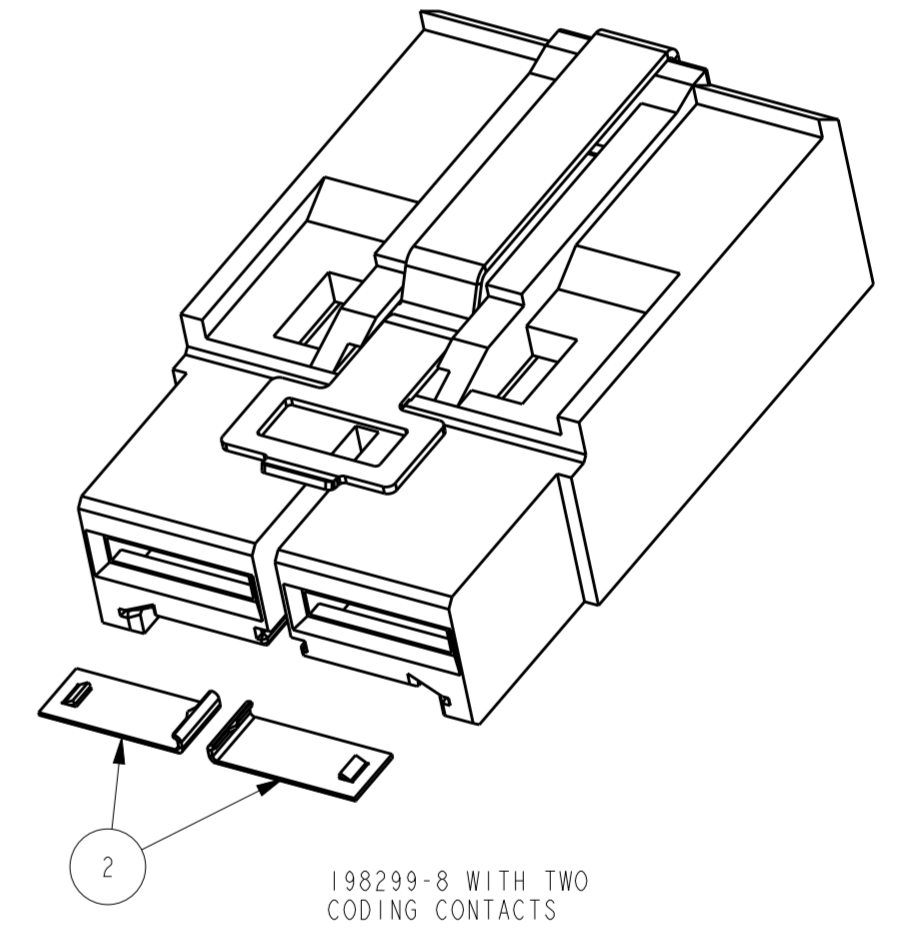
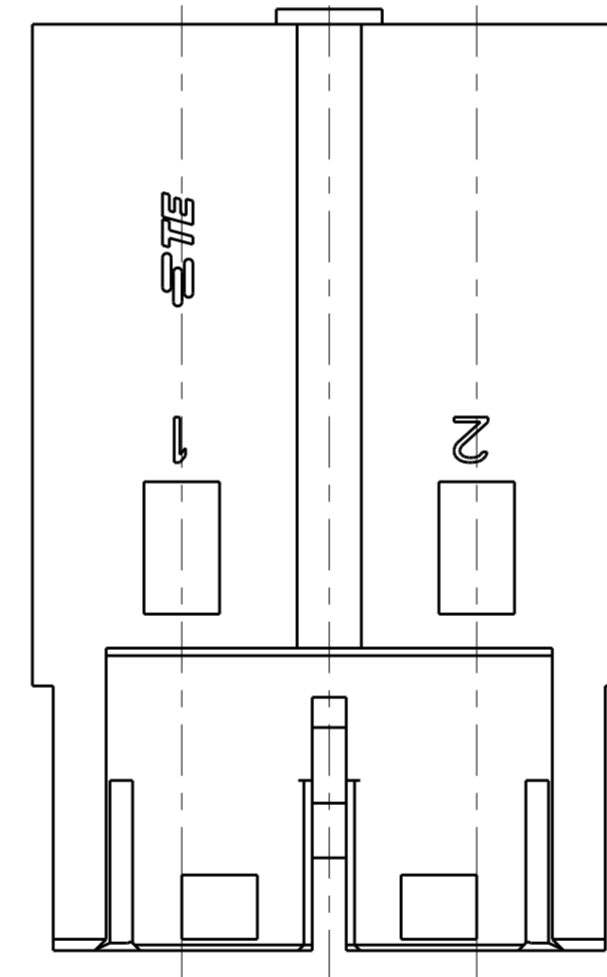
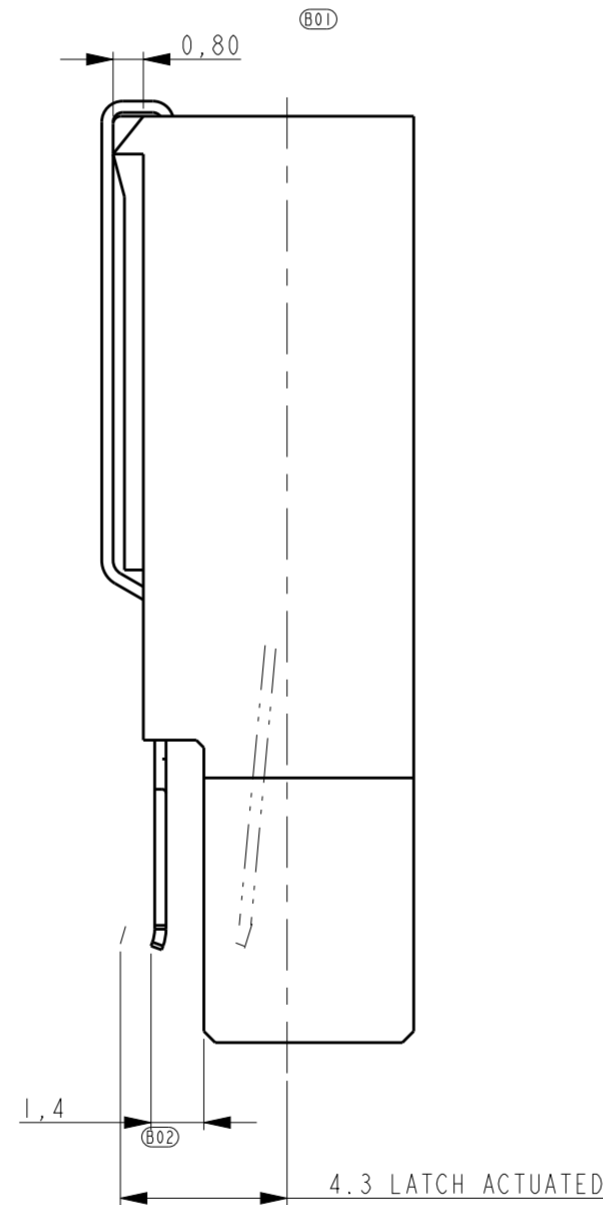
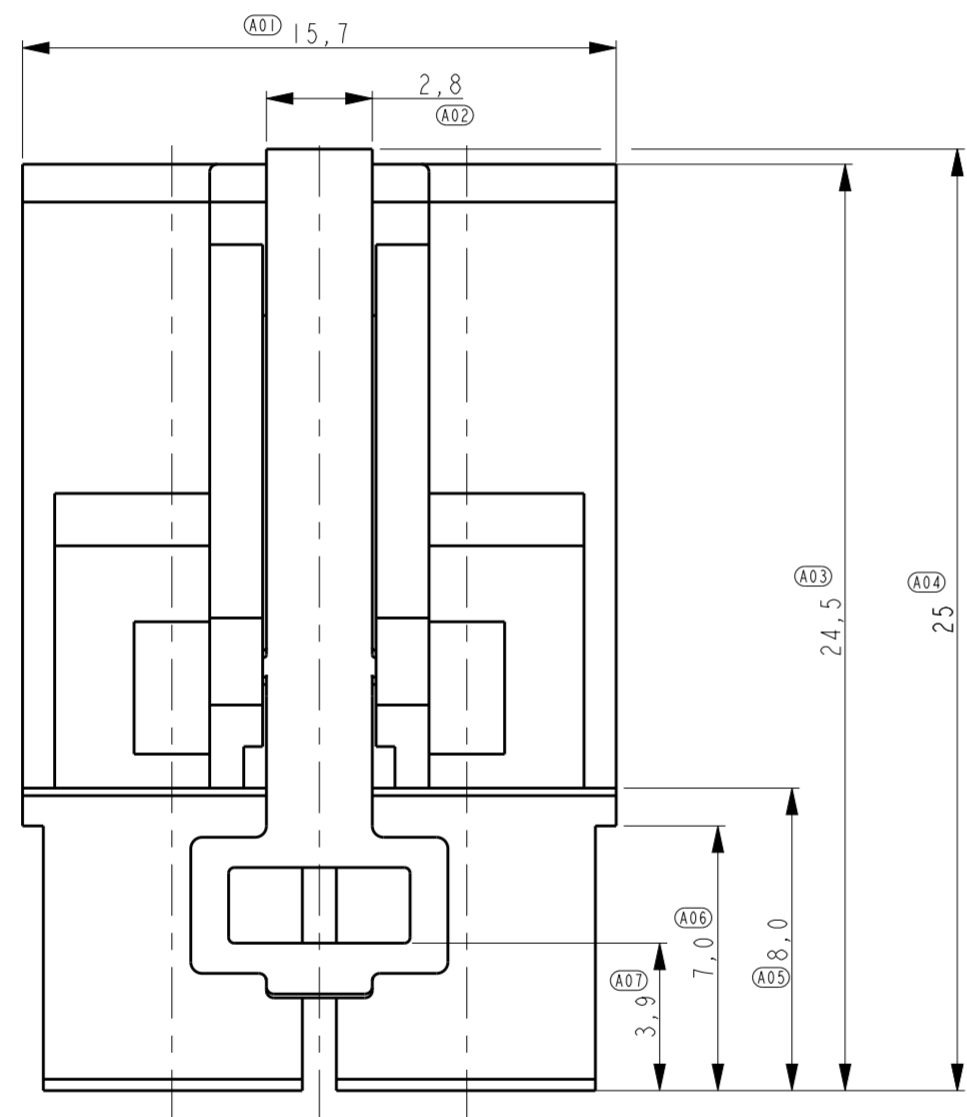
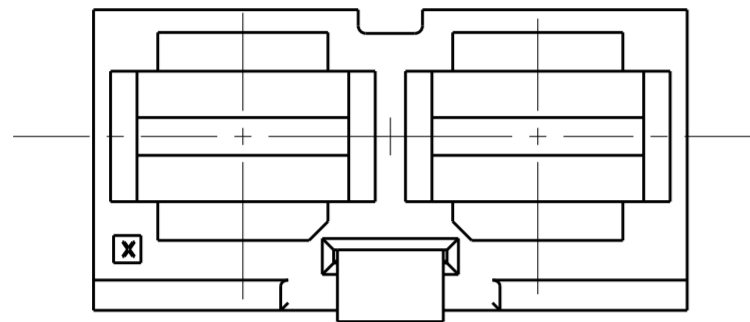
CUSTOMER DRAWING

THIS DRAWING IS UNPUBLISHED. RELEASED FOR PUBLICATION  
 © COPYRIGHT - TE CONNECTIVITY ALL RIGHTS RESERVED.

LOC		DIST		REVISIONS			
P	LTR	DESCRIPTION	DATE	DWN	APVD		
		SEE SHEET 1					

NOTES:

- 1 USE FOR (SILVER PLATED) STANDARD POWER TIMER CONTACTS .
- FOR CONTACTS PARTNUMBERS SEE DWG. C-1355048 VERSION A
- ALLOWED MAX WIRE SIZE 4 mm<sup>2</sup>.



QTY	QTY	DESCRIPTION	MATERIAL	FINISH	ITEM
2	-	CODING CONTACT	COPPER ALLOY	0.8 um Au IN CONTACT PLACE OVER 1.2 um Ni UNDERPLAYER OVERALL	2
1	1	HOUSING LATCH	PA GF UL94V-0 STAINLESS STEEL	NA	1

THIS DRAWING IS A CONTROLLED DOCUMENT.

DWN: R. Annokkee 13-feb-07  
 CHK: R. Annokkee 13-feb-07  
 APVD: J. Broeksteeg

TE Connectivity

ELCON Mini, 2-position cable connector metal latch, 4mm<sup>2</sup> max. wire

PRODUCT SPEC: 108-19346  
 APPLICATION SPEC: 114-19110

SIZE: A2 CAGE CODE: 00779 DRAWING NO: 1982299

SCALE: 5:1 SHEET: 2 OF 2 REV: B2