

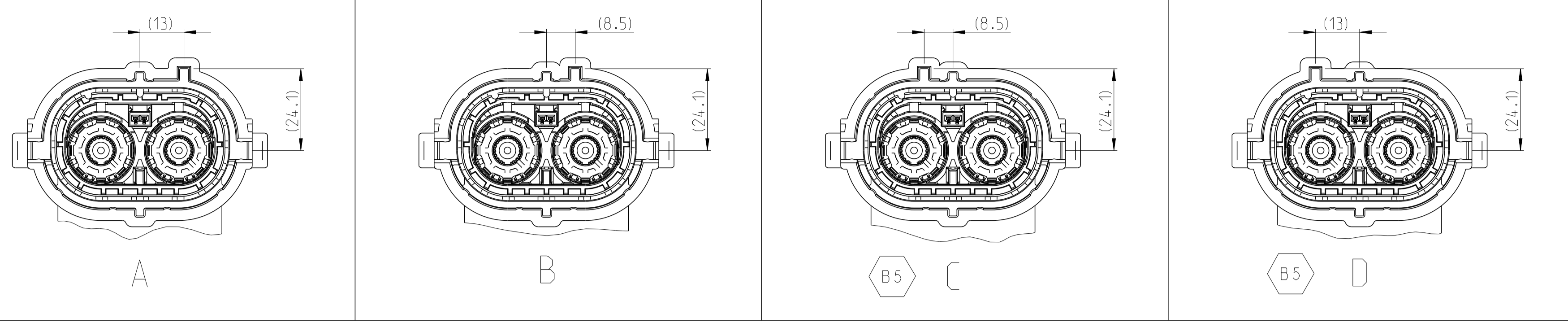
CODINGS SHOWN WITHOUT LEVER - 1:1

THE DRAWING SHOWS THE 2-DIMENSIONAL REFERENCE COMPONENT CONDITION OF THE ASSEMBLY TO IDENTIFY AND SPECIFY THE NECESSARY DIMENSIONS ONLY. THE DELIVERED PARTS MAY DEVIATE FROM THE DRAWING REGARDING THE ORIENTATION AND POSITION OF EACH COMPONENT (e.g. SLACK CABLE), SO FAR THE FUNCTIONALITY IS NOT CONCERNED.

DIE ZEICHNUNG ZEIGT DEN 2-DIMENSIONALEN IDEALZUSTAND DES ZUSAMMENBAUTEILS BEZÜGLICH DER KOMPONENTEN ZUR IDENTIFIKATION UND SPEZIFIKATION DER NOTWENDIGEN DIMENSIONEN. HINSICHTLICH DER ORIENTIERUNG UND DER LAGE DER KOMPONENTEN (Z.B. BIEGESCHLAPTES KABEL) KÖNNEN DIE DELIEFERTEN TEILE VON DER ZEICHNUNG ABWEICHEN, SOFERN DIE FUNKTIONALITÄT NICHT BEEINTRÄCHTIGT IST.

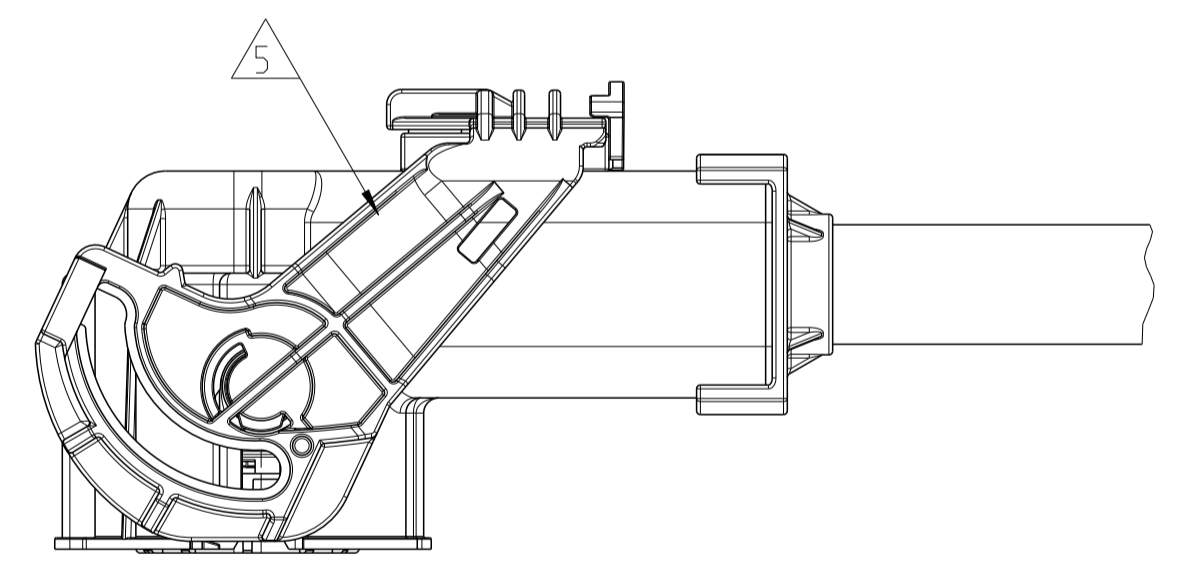
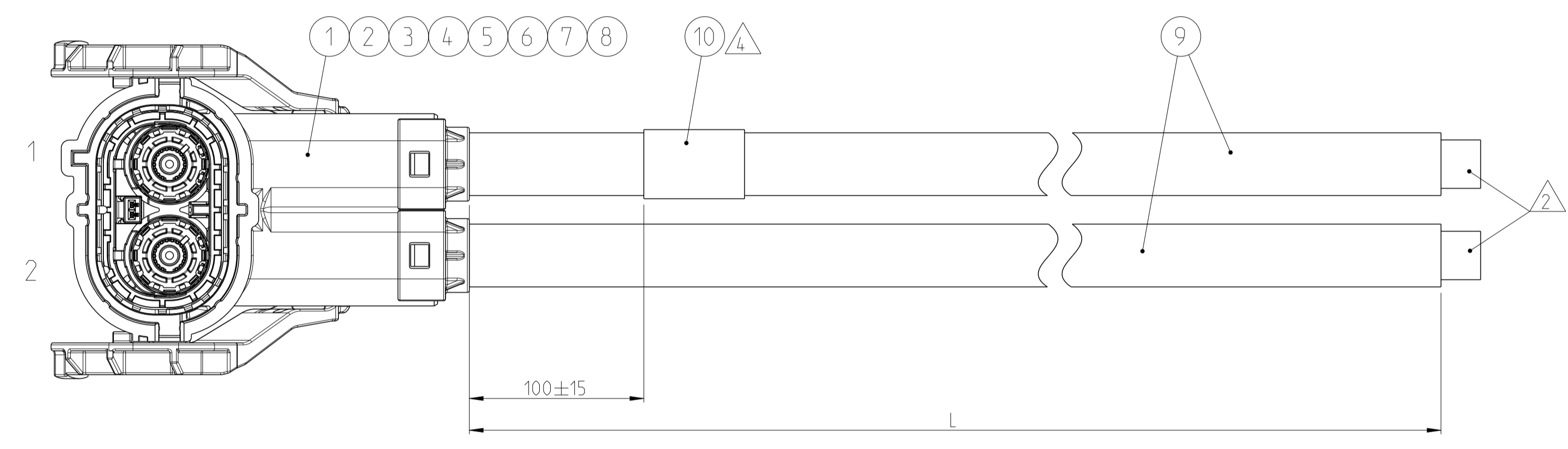
PROJEKT NR.:
 PRJ-11-00001983

REVISIONS		DATE	OWN	APPV
ÄNDERUNGEN				
BESCHREIBUNG				
B3	UPDATE LABEL	26 JUN 2018	JS	JS
B4	VARIANTS ADDED, NOTES AND LABEL UPDATED	11 OCT 2018	JM	JJ
B5	NEW VARIANTS ADDED	08 NOV 2018	JM	JJ



NOTES

- PACKAGING:
 EACH HOUSING OF THE CABLE ASSEMBLY TO BE INDIVIDUALLY WRAPPED IN FOAM (PN 741639-2) AND FIXED WITH RUBBER BAND (PN 1-2000064-0).
 PACKED IN STANDARD SHIPPING BOX VERTICAL SIDES OVERLAID WITH PAPER CUSHIONS (PN 740045-2) ACCORDING TE SPEC. 107-18032.
 DAMAGED TO BE AVOIDED.
- ELECTRICAL TEST ACCORDING TE SPECIFICATION 108-18857.
 USE CURRENT REVISION ALWAYS.
 MIN. 10 mm STRIPPING OF OUTER JACKET AND BRAID FOR ELECTRICAL TEST PURPOSE.
- PRODUCT SPECIFICATION: 108-94268, 108-94256
 APPLICATION SPECIFICATION: 114-94052, 114-94083
- MANUFACTURING CODE:
 TE PART NO., CURRENT REV. LEVEL AND DATE CODE (DD.MM.YY).
 TO BE PRINTED ON LABEL (ITEM 10).
 LABEL TO BE APPLIED TO THE CABLE AFTER SUCCESSFUL ELECTRICAL TEST.
- LEVER POSITION: CLOSED ON DELIVERY.



4 LABEL LEGEND:

TE PN: X-2286946-Y Rev. — CURRENT REV.
 DD/MM/YY — DATE CODE
 2.7 kV DC TEST PASSED

TE PART NO.	REV.	LENGTH L [mm]	TOL. [mm]	CODING
1-2286946-0	B	500	+30	A
1-2286946-1	B	1000	+30	
1-2286946-2	B	2000	+35	
1-2286946-3	B	3000	+40	
1-2286946-4	B	4000	+50	
1-2286946-5	B	5000	+60	
1-2286946-6	A	7000	+65	B
2-2286946-0	B	500	+30	
2-2286946-1	B	1000	+30	
2-2286946-2	B	2000	+35	
2-2286946-3	B	3000	+40	
2-2286946-4	B	4000	+50	
2-2286946-5	B	5000	+60	
2-2286946-6	A	7000	+65	C
3-2286946-0	A	500	+30	
3-2286946-1	A	1000	+30	
3-2286946-2	A	2000	+35	
3-2286946-3	A	3000	+40	
3-2286946-4	A	4000	+50	
3-2286946-5	A	5000	+60	D
4-2286946-0	A	500	+30	
4-2286946-1	A	1000	+30	
4-2286946-2	A	2000	+35	
4-2286946-3	A	3000	+40	
4-2286946-4	A	4000	+50	
4-2286946-5	A	5000	+60	

QTY	QTY	QTY	QTY	DESCRIPTION	ITEM NO.
4-	X3-	X2-	X1-		
1	1	1	1	LABEL, HELL. TYP 323, 25.4 x 95.25	10
see table	see table	see table	see table	1 POS. POWER CABLE, 35 SQMM	9
2	2	2	2	PROTEC. COVER 8 MM HV, 90 DEG, 35 SQMM	8
2	2	2	2	SINGLE WIRE SEAL, 8 MM HV, 90 DEG, 35 SQMM	7
2	2	2	2	SHIELD CRIMP FERRULE, 90 DEG	6
2	2	2	2	SHIELDING SLEEVE, 90 DEG	5
2	2	2	2	FINGER PROTECTION CAP 8 MM HV, 90 DEG	4
2	2	2	2	HV 8 MM, DEEP DRAWN SOCKET PIN, 90 DEG., ASSEMBLY	3
2	2	2	2	HV 8 MM, DEEP DRAWN SOCKET PIN, 90 DEG., ASSEMBLY	2
1	-	-	-	2 POS. 8 MM HV, REC HSG, 90 DEG, ASSY, SEALED, COD D	1
-	1	-	-	2 POS. 8 MM HV, REC HSG, 90 DEG, ASSY, SEALED, COD C	
-	-	1	-	2 POS. 8 MM HV, REC HSG, 90 DEG, ASSY, SEALED, COD B	
-	-	-	1	2 POS. 8 MM HV, REC HSG, 90 DEG, ASSY, SEALED, COD A	

PRODUCT CHARACTERISTICS ACC. QMP EMEA_12
 BESONDERE MERKMALE NACH QMP EMEA_12

TOLERANCING ISO 8015
 TOLERIERUNG ISO 8015

THIS DRAWING IS A CONTROLLED DOCUMENT.
 DIMENSIONING AND TOLERANCING PER GPS (ISO STANDARDS)

DIMENSIONS: MASSENHEITEN: mm

TOLERANCES UNLESS OTHERWISE SPECIFIED: ALLE TOLERANZEN

0 PLC ±
 1 PLC ±
 2 PLC ±
 3 PLC ±
 4 PLC ±

ANGLES/WINKEL: °

FINISH/OBERFLÄCHE/FARBE

WEIGHT GEWICHT

Customer Drawing

STE TE Connectivity

NAME: 2 POS. HVP800, 90, 35 SQMM, CABLE ASSY

SIZE: A1

CAGE CODE: -

DRAWING NO: C=2286946

RESTRICTED TO: NUR FÜR: -

SCALE: 1:1

SHEET: 1 OF 1

REV: B5