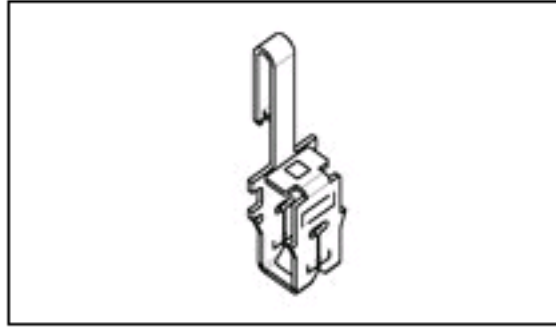


## 1394430-1 Product Details

[Share](#) | 
 [Print](#) | 
 [Email](#)



1394430-1

TE Internal Number: 1394430-1  
[Active](#)

### MAG-MATE Terminals

[Always EU RoHS/ELV Compliant \(Statement of Compliance\)](#)

#### Product Highlights:

- Terminal
- Terminal Line = Standard MAG-MATE
- Terminal Configuration = RAST 5D
- Copper-Nickel-Silicon Material
- RAST 5D Series

[View all Features](#)

[Add to My Part List](#) | 
 [Request Sample](#) | 
 [Find Similar Products](#) | 
 [Buy Product](#)

#### Quick Links

- ▶ [Check Pricing & Availability](#)
- ▶ [Search for Tooling](#)
- ▶ [Product Feature Selector](#)
- ▶ [Contact Us About This Product](#)

### Documentation & Additional Information

#### Product Drawings:

- [MAG-MATE CONTACT RAST 5 D](#) (PDF, English)

#### Catalog Pages/Data Sheets:

- None Available

#### Product Specifications:

- None Available

#### Application Specifications:

- None Available

#### Instruction Sheets:

- None Available

#### CAD Files:

- None Available

#### Additional Information:

- [Product Line Information](#)

#### Related Products:

- [Tooling](#)

[List all Documents](#)

### Product Features (Please use the Product Drawing for all design activity)

#### Product Type Features:

- Product Type = Terminal
- [Terminal Line](#) = Standard MAG-MATE
- Terminal Configuration = RAST 5D
- [Material](#) = Copper-Nickel-Silicon
- Series = RAST 5D
- Termination Method to Wire/Cable = IDC Standard

#### Body Features:

- [Magnet Wire Range \(mm \[AWG\]\)](#) = 0.265 - 0.40 [26 - 30]
- [Terminal Height \(mm \[in\]\)](#) = 8.64 [0.340]
- Stock Thickness, Magnet Wire Side (mm [in]) = 0.32 [0.013]

#### Contact Features:

- [Plating Material](#) = Pre-Tin

#### Industry Standards:

- [RoHS/ELV Compliance](#) = RoHS compliant, ELV compliant
- [Lead Free Solder Processes](#) = Not relevant for lead free process
- RoHS/ELV Compliance History = Always was RoHS compliant

#### Packaging Features:

- [Packaging Method](#) = Strip
- Packaging Quantity = 10,000/Reel

#### Other:

- Brand = AMP
- Comment = Two magnet wires may be terminated in the same terminal slot if diameters are equal.

#### Corporate Information

- [About TE](#)
- [Investors](#)
- [News Room](#)
- [Supplier Portal](#)
- [Careers](#)

#### Quick Links

- [Check Distributor Inventory](#)
- [Cross Reference Products](#)
- [Find Documents & Drawings](#)
- [Product Compliance Support Center](#)
- [Site Map](#)

#### Customer Support

- [Email or Chat With Us](#)
- [Find a Phone Number](#)
- [Search Knowledge Base](#)
- [Manage Your Account](#)

#### Keep Me Informed

Receive TE News, Events & Technology Updates

Enter your email address

