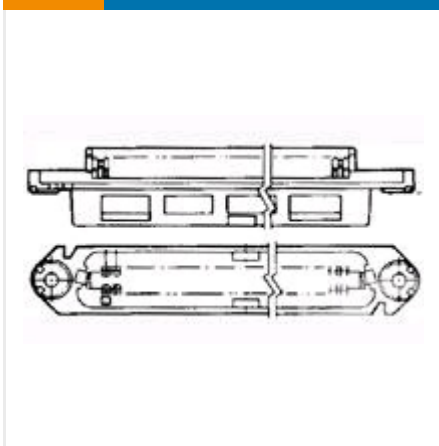




CONNECTORS

IDC D-SUB CONNECTORS



✓ Active

TE CONNECTIVITY (TE)

ASSY, RCPT, 50 POS, B SLOT, GRY HSG

CHAMP | Standard CHAMP Products

229975-4

TE Internal Number: 229975-4

EU RoHS Compliant

EU ELV Compliant

Connector Style Receptacle

Solid Wire Range (AWG) 26 – 24

Solid Wire Range (mm²) .13 – .32

Stranded Wire Range (AWG) 24

Stranded Wire Range (mm²) .33

↓ **PRODUCT DRAWING**
English

↓ **3D PDF**

DOCUMENTATION

Product Drawings

RECEPTACLE ASSEMBLY, 50 POSITION, B-SLOT, WITH 4-40 HOLES, CHAMP-LOK

PDF

English

CAD Files

3D PDF

PDF

3D

Customer View Model

3D_IGS.ZIP

English

Customer View Model

2D_DXF.ZIP

English

Customer View Model

3D_STP.ZIP

English

Product Specifications

Application Specification

CHAMP Cable Connectors (Standard And Shielded)

PDF

English

Instruction Sheets

Instruction Sheet (U.S.)

CHAMP Cable-To-Cable And Cable-To-Panel Connectors

PDF

English

Agency Approvals

UL Report

CHAMP SYSTEM 5 DISTRIBUTION BOXES REPORT

PDF

English

CHAMP - IDC REPORT

PDF

English

CHAMP RIBBON CONNECTOR REPORT

PDF

English

FEATURES



Please review product documents or [contact us](#) for the latest agency approval information.

Please Note: Use the Product Drawing for all design activity.

Product Type Features

Connector Style Receptacle

Shielded No

Wire/Cable Type Discrete Wire, Round Jacketed Cable

Product Category Connectors

Product Type Connector

Slot Type Letter Code B

Thread Size 4-40 UNC 2B

Profile Standard

Connector Classification IDC

Configuration Features

Number of Positions 50

Number of Rows 2

Body Features

Color Gray

Contact Features

Contact Mating Area Plating Thickness .76 μm [30 μin]

Contact Base Material Copper Alloy

Contact Mating Area Plating Material Gold Flash over Palladium Nickel, Gold

Mechanical Attachment

Mating Connector Lock Type Bail Lock, Screwlocks

Panel Mount Retention Without

Mating Connector Lock With

Flange Thickness Thick

Housing Features

Centerline (Pitch) 2.16 mm [.085 in]

Housing Color Dot Designation Blue

Housing Material Thermoplastic

Dimensions

Solid Wire Range (AWG) 26 – 24

Solid Wire Range (mm²) .13 – .32

Stranded Wire Range (AWG) 24

Stranded Wire Range (mm²) .33

Wire Range (AWG) 24

Insulation Diameter (Max) 1.14 mm [.045 in]

Packaging Features

Packaging Quantity 100

Packaging Method Box & Tray, Package

PRODUCT COMPLIANCE



Statement of Compliance

Statement of Compliance

PDF
