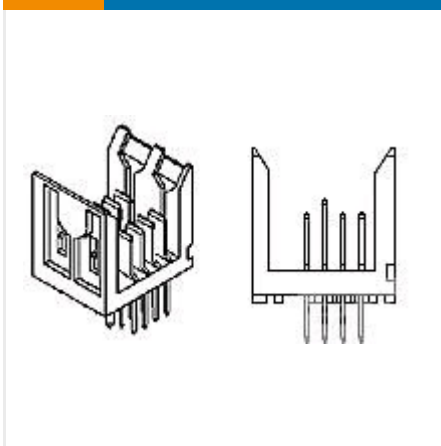




+ CONNECTORS

RECTANGULAR POWER CONNECTORS



✓ Active

TE CONNECTIVITY (TE)

2MM FB,ASY,008,PWR,HDR,SL,SEQ

Z-PACK | Future Bus+

5536624-1

TE Internal Number: 5536624-1

EU RoHS Compliant

EU ELV Compliant

Product Type Header

Housing Type Plug

Connector System Board-to-Board

Number of Positions 8

Centerline (Pitch) 2 mm [.079 in]

↓ **PRODUCT DRAWING**
English

↓ **3D PDF**

DOCUMENTATION

Product Drawings

ASSEMBLY, PIN, POWER, VERTICAL, Z-PACK 2mm FB, 4 ROW, SOLDER LEADS, SEQUENCED BY ROW

PDF (TIFF AVAILABLE)

English

CAD Files

Customer View Model

3D_IGS.ZIP

English

Customer View Model

3D_STP.ZIP

English

Customer View Model

2D_DXF.ZIP

English

3D PDF

PDF

English

FEATURES



Please review product documents or [contact us](#) for the latest agency approval information.

Please Note: Use the Product Drawing for all design activity.

Product Type Features

Product Type Header

Housing Type Plug

Connector System Board-to-Board

Connector & Contact Terminates To Printed Circuit Board

Contact Type Pin

Configuration Features

Number of Positions 8

PCB Mounting Orientation Vertical

Number of Power Positions 8

Number of Signal Positions 0

Number of Rows 4

Row-to-Row Spacing 2 mm [.079 in]

Board-to-Board Configuration Right Angle

Contact Layout Matrix

Interface Type Futurebus+

Electrical Characteristics

Operating Voltage (VAC) 30

Operating Voltage (VDC) 30

Contact Features

Contact Current Rating (Max) (A) 5

Contact Retention With

Contact Termination Area Plating Material Tin

Contact Mating Area Plating Material Gold

Contact Termination Area Plating Thickness 3.81 – 8.89 μm [150 – 350 μin]

Contact Base Material Phosphor Bronze

Contact Termination Area Plating Finish Matte

Termination Features

Termination Method to PC Board Through Hole - Solder

Termination Post/Tail Length 3.43 mm [.135 in]

Mechanical Attachment

PCB Mount Retention Without
Mating Alignment Type Polarizing Rib

Housing Features

Centerline (Pitch) 2 mm [.079 in]
UL Flammability Rating UL 94V-0
Housing Material LCP (Liquid Crystal Polymer)

Dimensions

Height 17 mm [.6681 in]
PCB Thickness (Recommended) 1.6 mm [.063 in]

Usage Conditions

Operating Temperature Range (°C) -55 – 125
Sealed Condition Not Sealed

Operation/Application

Assembly Process Feature Board Standoff
Circuit Application Power
Special Features Sequencing

Industry Standards

Glow Wire Rating Standard Part - Not Glow Wire

Packaging Features

Packaging Method Tube
Packaging Quantity 48

Other

For Use With Receptacle Assembly

PRODUCT COMPLIANCE



Statement of Compliance

Statement of Compliance

PDF
