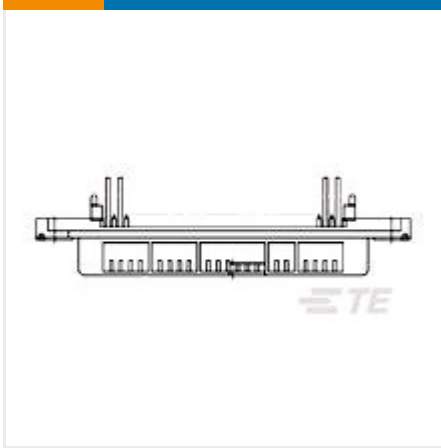




**CONNECTORS**

**PCB D-SUB CONNECTORS**



✓ Active

TE CONNECTIVITY (TE)

## RCPT ASSY, 50 POS, EDGE MOUNT

CHAMP | PCB CHAMP Products

5552130-1

TE Internal Number: 5552130-1

EU RoHS Compliant

EU ELV Compliant

**Connector Style** Receptacle

**Number of Positions** 50

**Centerline (Pitch)** 2.16 mm [ .085 in ]

**Number of Rows** 2

**Row-to-Row Spacing** .085

↓ **PRODUCT DRAWING**  
English

↓ **3D PDF**

### DOCUMENTATION

Product Drawings

**RECEPTACLE ASSEMBLY, 50 POSN, EDGE MTG W/ .187 HOLES, CHAMP-LOK**

PDF (TIFF AVAILABLE)

**English**

CAD Files

**Customer View Model**

2D\_DXF.ZIP

**English**

**Customer View Model**

3D\_IGS.ZIP

**English**

## Customer View Model

3D\_STP.ZIP

English

## 3D PDF

PDF

English

## FEATURES



Please review product documents or [contact us](#) for the latest agency approval information.

Please Note: Use the Product Drawing for all design activity.

### Product Type Features

**Connector Style** Receptacle

**Row-to-Row Spacing** .085

**Profile** Standard

**PCB Mounting Orientation** Vertical

**Connector & Contact Terminates To** Printed Circuit Board

**Orientation** Standard

**Product Type** Connector

**PC Board Material** Glass-Filled Polyester

**Grounded** No

**Shielded** No

### Configuration Features

**Number of Positions** 50

**Number of Rows** 2

**Preloaded** Yes

### Body Features

**Plating Material** Thermoplastic

**Color** Black

**Bracket Material** Thermoplastic

### Contact Features

**Solder Tail Contact Plating Material** Tin

**Contact Mating Area Plating Thickness ( $\mu\text{in}$ )** 30

**Contact Base Material** Phosphor Bronze

**Contact Mating Area Plating Material** Gold or Gold Flash over Palladium Nickel, Gold

### Mechanical Attachment

**Panel Mount Retention** Without

**PCB Mounting Style** Edge Mount

**PCB Mount Retention** Without

**Mating Connector Lock** With

**Mating Connector Lock Type** Bail Lock, Screwlocks

**Mounting Hole Diameter (in)** .191

### Housing Features

**Centerline (Pitch)** 2.16 mm [ .085 in ]

**Housing Color** Black

**Housing Material** Polyester

---

#### Dimensions

**PCB Thickness (Recommended)** 1.57 mm [ .062 in ]

---

#### Industry Standards

**UL Flammability Rating** UL 94V-0

---

#### Packaging Features

**Packaging Quantity** 60

**Packaging Method** Tray

---

#### Other

**Comb Material** Thermoplastic

---

### PRODUCT COMPLIANCE



Statement of Compliance

**Statement of Compliance**

PDF

---