



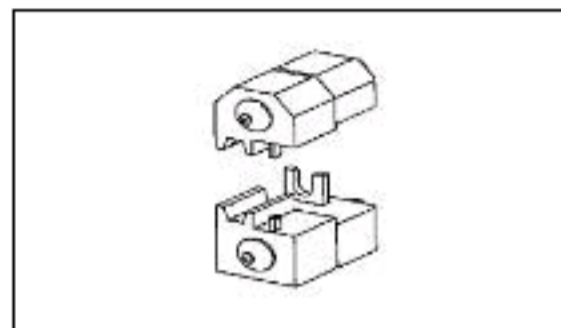
Search bar: What can we help you find?

- Products
- Industries
- Resources
- About TE
- My Account
- Innovation
- Support Center

Home > Products > Product Feature Selector > Product Details

576742 Product Details

Share Print Email



576742

TE Internal Number: 576742
Active

Application Tooling

Product Highlights:

- Product Classification = Tooling
- Not relevant for RoHS and/or ELV compliance
- Lead Free Solder Processes = Not reviewed for lead free solder process

[View all Features](#)

Quick Links

- Pricing & Availability
- Search for Tooling
- Product Feature Selector
- Contact Us About This Product

[Add to My Part List](#) [Request Sample](#) [Find Similar Products](#) [Buy Product](#)

Documentation & Additional Information

Product Drawings:

- None Available

Catalog Pages/Data Sheets:

- None Available

Product Specifications:

- None Available

Application Specifications:

- None Available

Instruction Sheets:

- [PIDG STRATO-THERM Terminal Crimping Dies \(PDF, English\)](#)

CAD Files:

- None Available

Related Products:

- Tooling

[List all Documents](#)

Product Features (Please use the Product Drawing for all design activity)

Product Type Features:

- Product Classification = Tooling

Industry Standards:

- Government/Industry Qualification = No
- RoHS/ELV Compliance = Not relevant for RoHS and/or ELV compliance
- Lead Free Solder Processes = Not reviewed for lead free solder process

Other:

- Brand = AMP

Corporate Information

- [About TE](#)
- [Investors](#)
- [News Room](#)
- [Supplier Portal](#)
- [Careers](#)
- [Terms & Conditions](#)
- [Privacy Policy](#)

Quick Links

- [Distributor Inventory](#)
- [Product Cross Reference](#)
- [Documents & Drawings](#)
- [Product Compliance Support Center](#)
- [Site Map](#)

Customer Support

- [Email or Chat With Us](#)
- [Find a Phone Number](#)
- [Knowledge Base](#)
- [Manage Your Account](#)

Keep Me Informed

