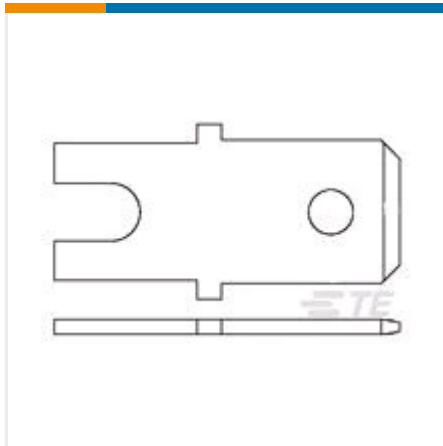




[+ TERMINALS & SPLICES](#)

[QUICK DISCONNECTS](#)



✓ Active

TE CONNECTIVITY (TE)

## 312 FASTON TEST TAB 032 BR

[FASTON | 312](#)

63402-3

TE Internal Number: 63402-3

[EU RoHS Compliant](#)

[EU ELV Compliant](#)

**Terminal Type** Tab

**Mating Tab Width** 7.92 mm [ .312 in ]

**Mating Tab Thickness** .81 mm [ .032 in ]

**Terminal Orientation** Straight

**Insulated Wire Support** No

[↓ PRODUCT DRAWING](#)  
English

[↓ 3D PDF](#)

### DOCUMENTATION

Product Drawings

**TAB, FASTON, 7.92 [.312]**

PDF (TIFF AVAILABLE)

English

CAD Files

**3D PDF**

PDF

3D

**Customer View Model**

2D\_DXF.ZIP

English

## Customer View Model

3D\_IGS.ZIP

English

## Customer View Model

3D\_STP.ZIP

English

## FEATURES



Please review product documents or [contact us](#) for the latest agency approval information.

Please Note: Use the Product Drawing for all design activity.

### Product Type Features

**Terminates To** Wire & Cable

**FASTON** Yes

**Insulated Wire Support** No

**Contact Base Material** Steel

**Disconnect Type** Quick Disconnect

**Wire Stop** No

### Configuration Features

**Connection Capacity** Single

### Body Features

**Plating Material** Unplated

### Contact Features

**Terminal Type** Tab

**Terminal Orientation** Straight

**Barrel Type** Open

### Dimensions

**Mating Tab Width** 7.92 mm [ .312 in ]

**Mating Tab Thickness** .81 mm [ .032 in ]

**Overall Length** 19.05 mm [ .75 in ]

### Packaging Features

**Packaging Method** Bag

**Packaging Quantity** 1000

## PRODUCT COMPLIANCE



Statement of Compliance

**Statement of Compliance**

PDF

