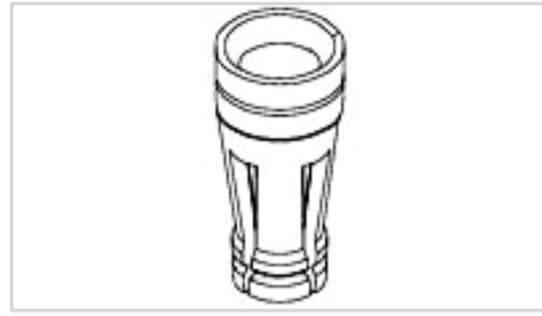


# 8134-HC-8P2 Product Details

[Share](#) | [Print](#) | [Email](#)


**Active**  
 [View 3D PDF](#)

## Discrete Sockets

8134-HC-8P2=HOLTITE CONTACT 3.

**8134-HC-8P2**

TE Internal Number: 7-1437514-0

**Product Highlights** [View All](#)

- HOLTITE Product Line
- Board-to-Device
- Applies To Printed Circuit Board
- Contact - Rated Current = 5 A
- Mating Pin Dia. Range = .64 - .89 mm

- [Pricing & Availability](#)
- [Request Sample](#)
- [Add to My Part List](#)
- [Buy Product through Distributor](#)

Feedback

[Documents](#) | [Features](#) | [Compliance](#)

**Please Note:**  
Use the Product Drawing for all design activity

Product Type Features	
Product Line	HOLTITE
Sealant	Without
Profile	Zero
Electrical Characteristics	
Contact - Rated Current (A)	5
Termination Features	
Insertion Method	Hand/Semi-Automatic
Dimensions	
Socket Length (mm [in])	3.45 [0.136]
Recommended Hole Size (mm [in])	1.47 [0.058]
Body Features	
Mating Pin Dia. Range (mm [in])	0.64 - 0.89 [0.025 - 0.035]
Contact Features	
Contact Plating, Mating Area, Material	Gold
Contact Plating, Mating Area, Thickness (µm [µin])	0.000635 [0.000025]
Contact Type	Socket
Contact Base Material	Beryllium Copper

Industry Standards	
Government/Industry Qualification	No
RoHS/ELV Compliance	RoHS compliant, ELV compliant
Lead Free Solder Processes	Not relevant for lead free process
RoHS/ELV Compliance History	Always was RoHS compliant
Conditions for Usage	
Applies To	Printed Circuit Board
Operation/Application	
Application Use	Board-to-Device
Contact Transmits (Typical Application)	Signal (Data)/Power
Packaging Features	
Packaging Method	Loose Piece
Other	
Brand	AMP

**Related Products**

Not quite the product you're looking for?  
[Find Similar Products](#)

[View Part in Product Feature Selector](#)

[Check for Tooling](#)