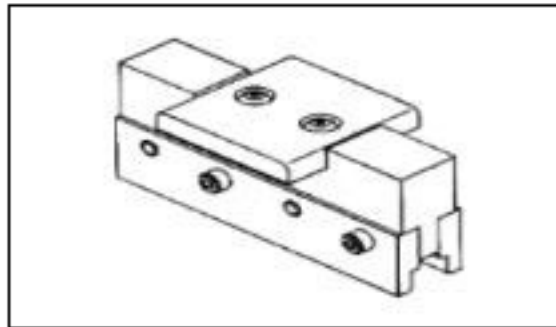


856371-7 Product Details

[Share](#) | [Print](#) | [Email](#)


856371-7

TE Internal Number: 856371-7
 Active

Application Tooling

Product Highlights:

- Product Classification = Tooling
- Not relevant for RoHS and/or ELV compliance
- Lead Free Solder Processes = Not reviewed for lead free solder process

[View all Features](#)

Quick Links

- ▶ [Check Pricing & Availability](#)
- ▶ [Search for Tooling](#)
- ▶ [Product Feature Selector](#)
- ▶ [Contact Us About This Product](#)

[Add to My Part List](#)
[Request Sample](#)
[Find Similar Products](#)
[Buy Product](#)

Documentation & Additional Information

Product Drawings:

- None Available

Catalog Pages/Data Sheets:

- None Available

Product Specifications:

- None Available

Application Specifications:

- None Available

Instruction Sheets:

- [Seating Tool Assemblies 856371-\[\] for AMPLIMITE Ser... \(PDF, English\)](#)

CAD Files:

- None Available

Related Products:

- [Tooling](#)

[List all Documents](#)

Product Features (Please use the Product Drawing for all design activity)

Product Type Features:

- Product Classification = Tooling

Industry Standards:

- Government/Industry Qualification = No
- [RoHS/ELV Compliance](#) = Not relevant for RoHS and/or ELV compliance
- [Lead Free Solder Processes](#) = Not reviewed for lead free solder process

Other:

- Brand = AMP

Corporate Information

- [About TE](#)
- [Investors](#)
- [News Room](#)
- [Supplier Portal](#)
- [Careers](#)
- [Terms & Conditions](#)
- [Privacy Policy](#)

Quick Links

- [Check Distributor Inventory](#)
- [Cross Reference Products](#)
- [Find Documents & Drawings](#)
- [Product Compliance Support Center](#)
- [Site Map](#)

Customer Support

- [Email or Chat With Us](#)
- [Find a Phone Number](#)
- [Search Knowledge Base](#)
- [Manage Your Account](#)

Keep Me Informed

Receive TE News, Events & Technology Updates

