

4100 & 4200 SERIES - VDE APPROVED TOGGLE SWITCHES



FEATURES

- VDE frequent duty listing standard on all models.
- DPDT panel mounting models with solder lugs or p.c. terminals.
- Knee action quick-break toggle mechanism.
- Insulated actuator & bushing with actuator color options.

SPECIFICATIONS

Contact ratings (resistive loads):	3 Amps at 250 VAC, 6 Amps at 125 VAC or 30 VDC
Initial contact resistance:	10 milliohms maximum
Insulation resistance:	1000 megohms min. at 500 VDC
Dielectric strength:	2000 V rms min. - between terminals and between poles
Electrical life (resistive):	50,000 cycles 3 Amps 250 VAC. 10,000 cycles 6 Amps 125 VAC or 30 VDC
Operating temperature range:	-20°C to +55°C

MATERIALS

Contacts:	Silver inlay
Actuator:	Polyamide 6-6
Bushing:	Polyamide 6-6
Case:	Phenolic resin
Hardware:	Supplied with 1 Hex Nut p/n U166 and 1 insulating Knurled Nut p/n U520. Knurled Nut supplied same color as actuator. See hardware section of catalog.

AGENCY RECOGNITION



VDE (frequent duty), UL & CSA
VDE, UL & CSA marking is standard.

Note: Ideal switch for pump manufacturers.

4100 & 4200 SERIES - VDE APPROVED TOGGLE SWITCHES

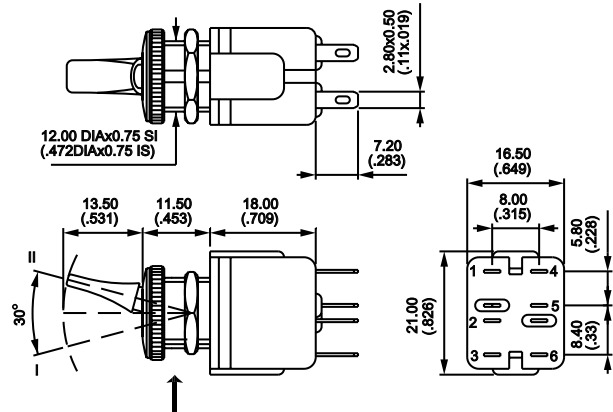
A

Solder lug terminals - 4100



DOUBLE POLE MODEL NO.	CIRCUIT
4141A22UU	ON - OFF
4146A22UU	ON - ON
Handle position (see dwg.) :	II I

Above models have black actuator.

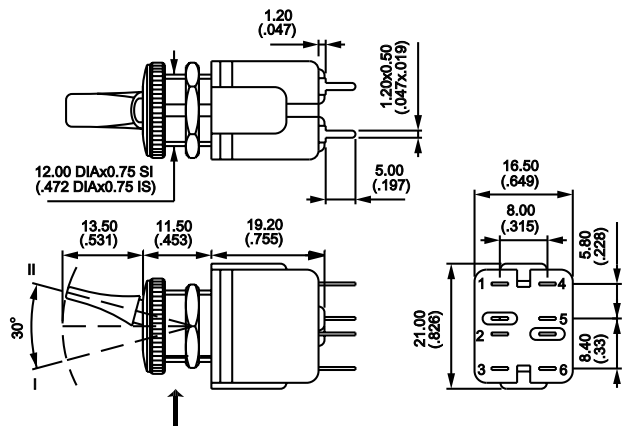


Straight p.c. terminals - 4200



DOUBLE POLE MODEL NO.	CIRCUIT
4241A22UU	ON - OFF
4246A22UU	ON - ON
Handle position (see dwg.) :	II I

Above models have black actuator.



OPTIONS & MISCELLANEOUS

ACTUATOR COLORS

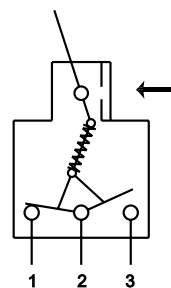
The last numeric digit in above switch model numbers indicates actuator and knurled mounting nut color. Other selections:

Colors

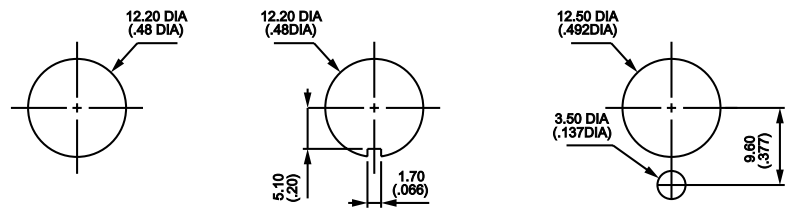
- 1 blue
- 2 black
- 3 green
- 4 grey
- 5 yellow
- 6 red
- 7/1 white
- 9 orange

SWITCH ACTION

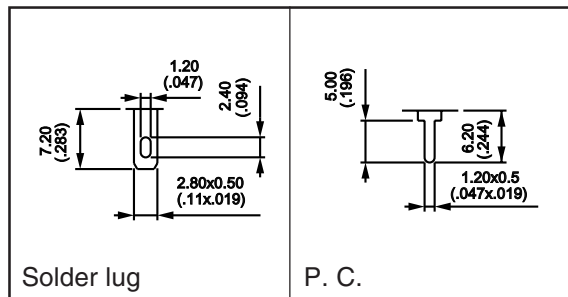
Arrow indicates keyway



PANEL CUT-OUTS



TERMINALS



SPECIFICATIONS SUBJECT TO CHANGE WITHOUT NOTICE