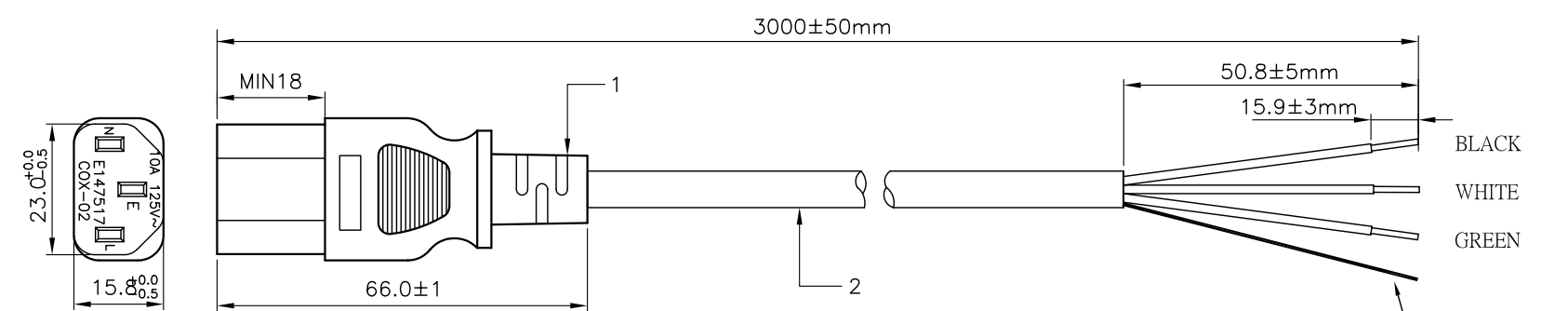


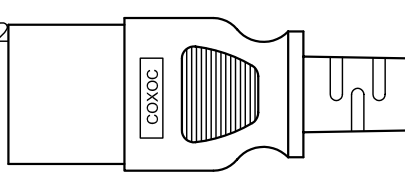
1 2 3 4 5 6 7

A

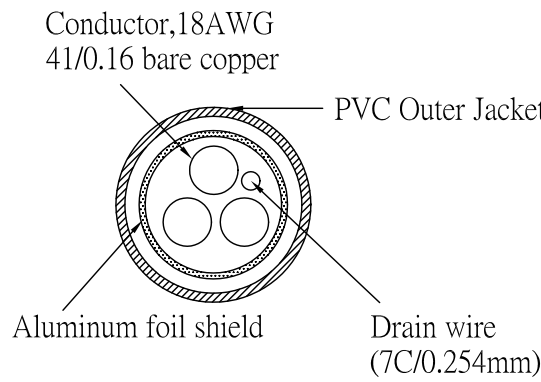
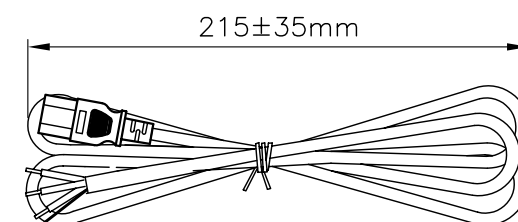
A



PLUG: COX-02



- NOTES:
- 1.PLUG No.:COX-02
MARK: COXOC COX-02 10A 125V~
APPROVED: E147517
 - 2.POWER WIRE:
C-UL (UL) SJT E148006 VW-1 75°C 18AWGx3C COXOC SHIELDED
JACKET COLOR: BLACK
INSULATION COLOR: BLACK,WHITE,GREEN.
 - 3.JACKET TO BE STRIPPED BACK 50.8mm TO EXPOSE CONDUCTORS.
 - 4.CONDUCTOR TO BE STRIPPED BACK 15.9mm TO EXPOSE STRAND COPPER AS SHOWN.



(detail)

B

B

C

C

D

D

E

E

F

F

G

G

H

H

	Datum	Name	Benennung		
Bearb.	01/06/03	PEARL	POWER CORDS		
Gepr.					
Norm.					
ASSMANN Electronic Components			Zeichnungsnummer	Blatt	
			AK500-OE-9-3		
			Ersatz für	Blatt	

1 2 3 4 5 6 7