

# PTFE INSULATED TERMINALS

## 11XX-XX- XX XX 111R-XX-XX XX

BASIC PART NUMBER FINISH COLOR (SEE COLOR CHART ON PAGE 143)

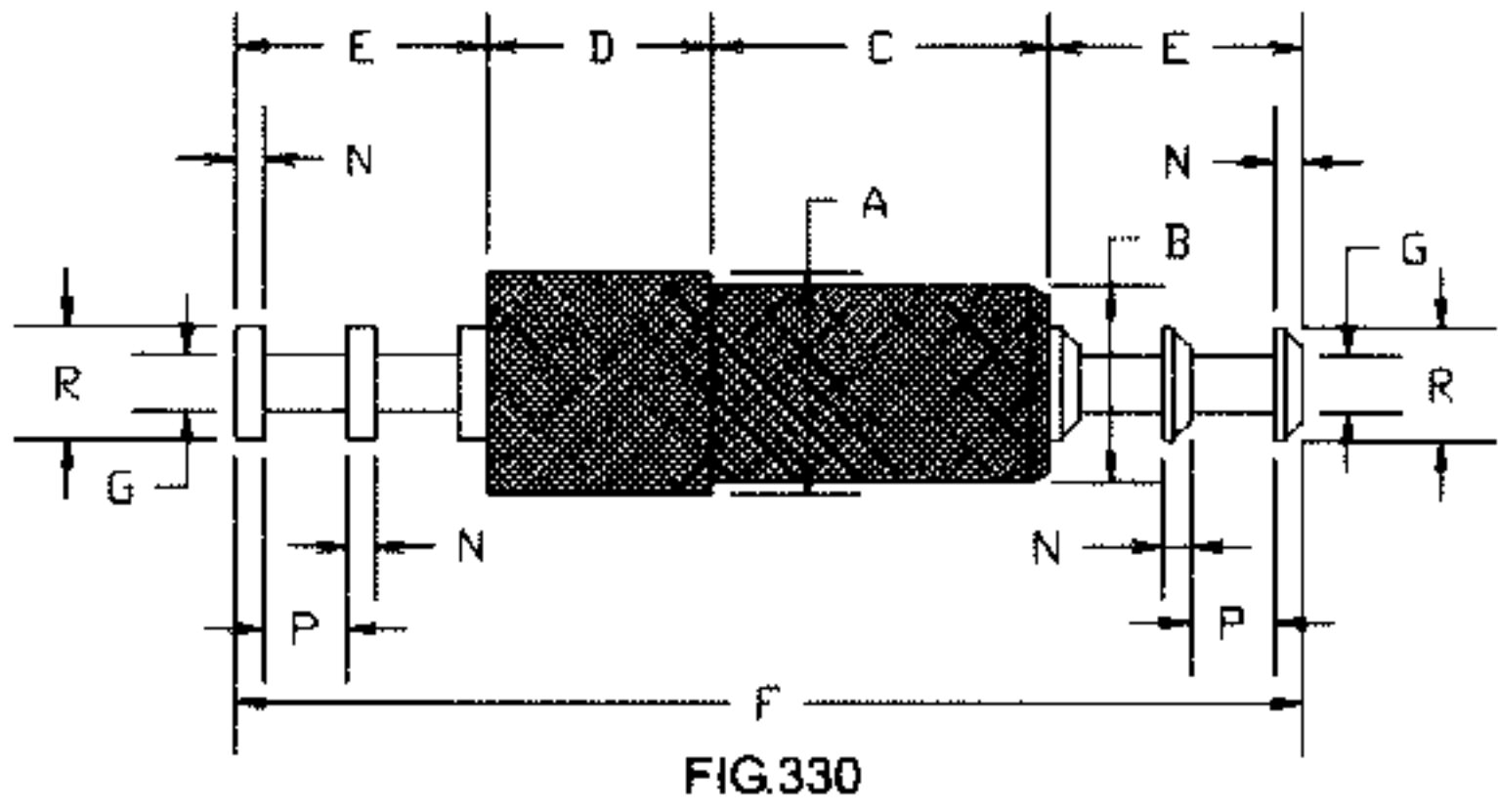


FIG.330

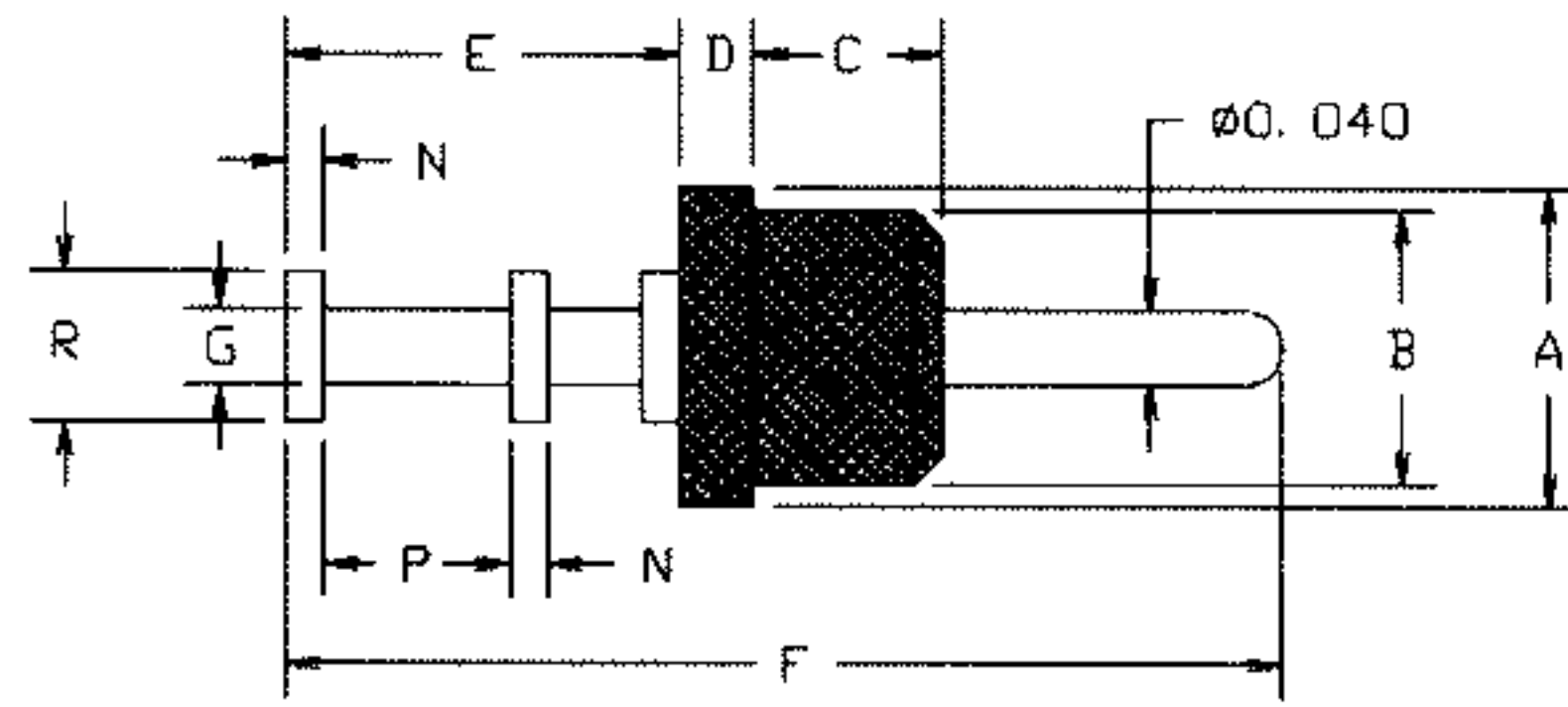


FIG.340

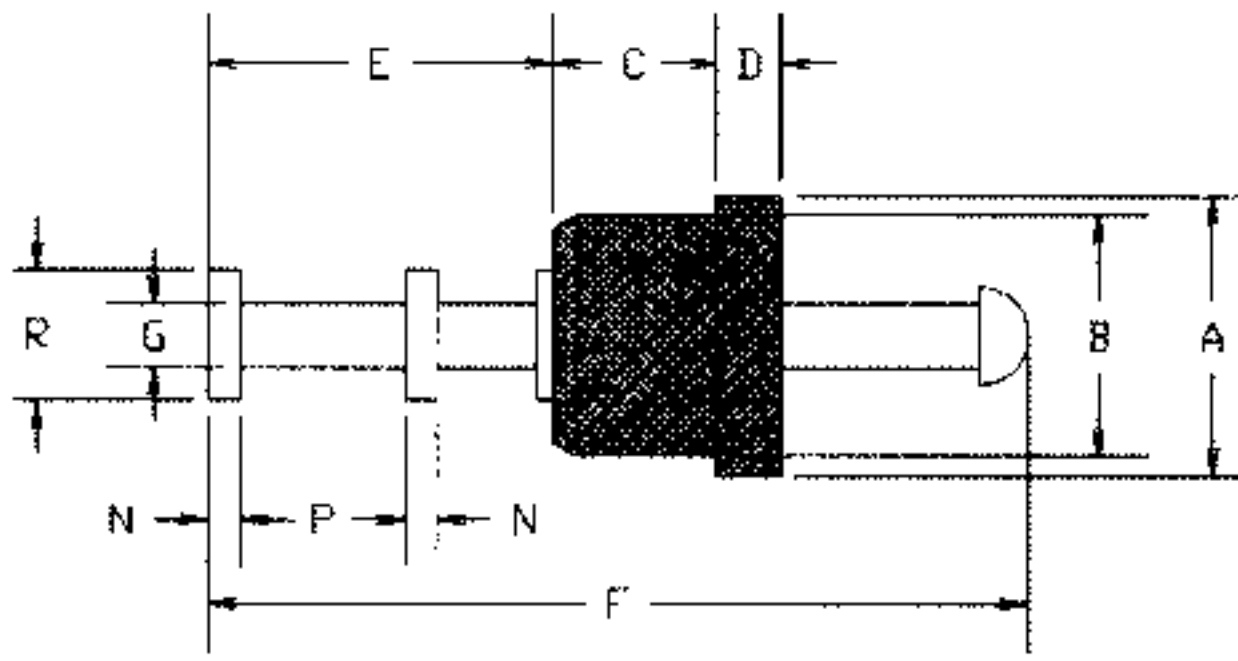


FIG.350

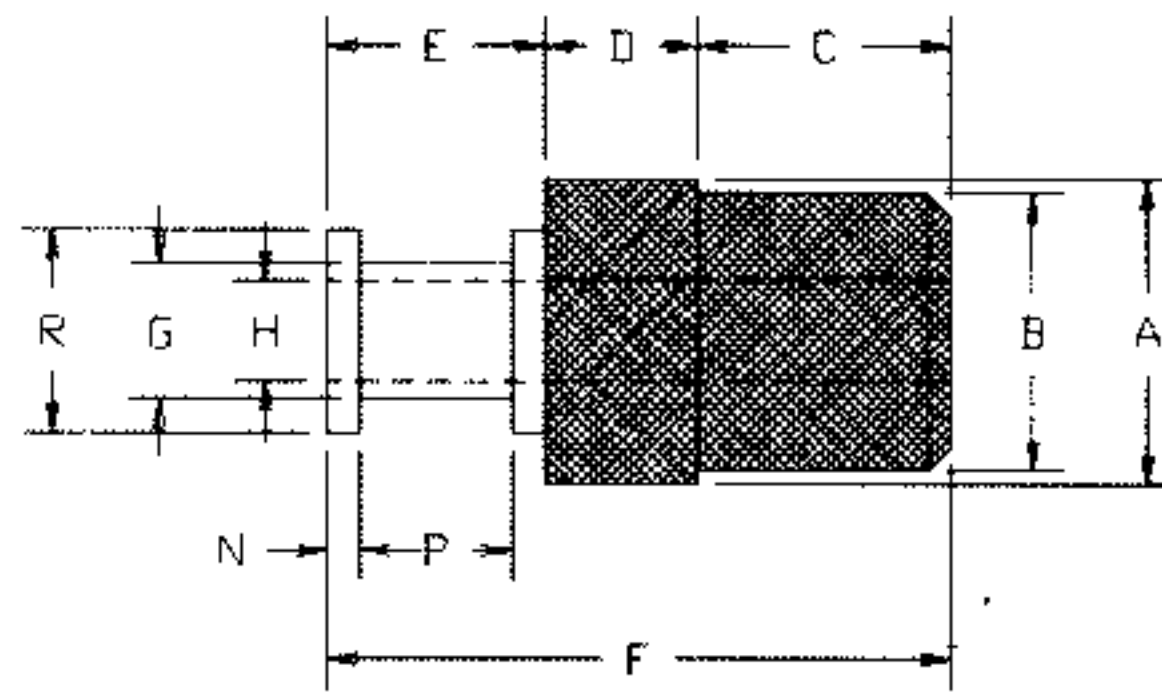


FIG.360

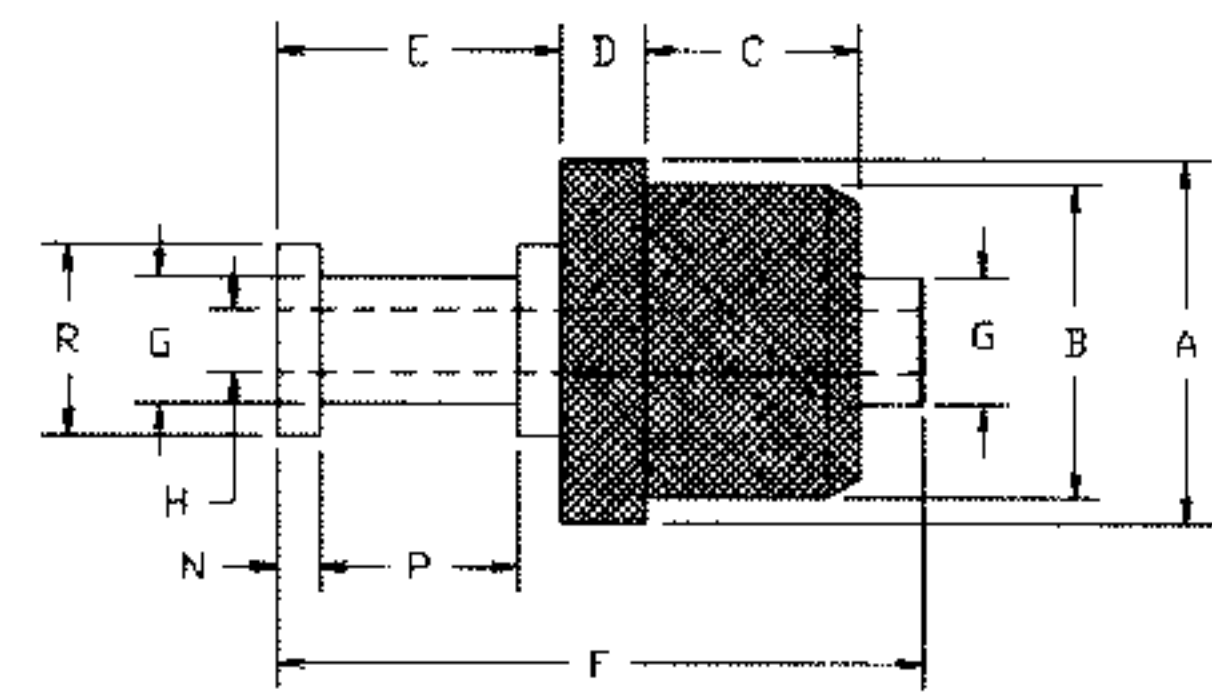


FIG.370

FIG.330	PART NO.	A	B	C	D	E	F	G	H	N	P	R
	1105-01	.250	.218	.375	.250	.281	1.187	.062	-	.031	.093	.125
	1105-02	.250	.218	.625	.500	.281	1.687	.062	-	.031	.093	.125
FIG.340	1133-03	.125	.093	.100	.040	.210	.500	.040	-	.020	.100	.080
	1133-01	.172	.148	.100	.040	.210	.500	.040	-	.020	.100	.080
	1133-02	.172	.148	.230	.125	.250	.836	.040	-	.020	.093	.093
	1133-11	.218	.185	.287	.046	.281	1.052	.060	-	.031	.093	.125
FIG.350	1111R-01	.125	.093	.100	.040	.210	.500	.040	-	.020	.100	.080
	1111R-15	.172	.148	.125	.093	.210	.609	.040	-	.020	.100	.080
	1111R-36	.218	.185	.125	.040	.210	.531	.040	-	.020	.100	.080
	1111R-11	.172	.148	.100	.040	.210	.531	.040	-	.020	.100	.080
	1111R-04	.150	.125	.060	.040	.210	.500	.040	-	.020	.100	.080
	1111R-13	.172	.148	.165	.040	.210	.531	.040	-	.020	.100	.080
	1111R-12	.172	.148	.125	.040	.210	.531	.040	-	.020	.100	.080
	1111R-09	.172	.148	.100	.040	.210	.500	.040	-	.020	.100	.080
	1111R-14	.172	.148	.165	.040	.210	.609	.040	-	.020	.100	.080
FIG.360	1112-15	.172	.148	.125	.093	.133	.351	.082	.062	.020	.093	.125
	1112-17	.188	.171	.155	.093	.133	.381	.082	.062	.020	.093	.125
	1112-32	.172	.148	.125	.093	.133	.351	.100	.062	.020	.093	.125
FIG.370	1113-02	.150	.125	.080	.060	.133	.303	.060	.030	.020	.093	.090
	1113-01	.172	.148	.100	.040	.133	.303	.060	.030	.020	.093	.090
	1113-03	.172	.148	.110	.050	.133	.333	.060	.030	.020	.093	.090
	1113-04	.172	.148	.125	.093	.133	.411	.082	.062	.020	.093	.125
	1113-05	.172	.148	.100	.040	.133	.460	.060	.040	.020	.093	.090

