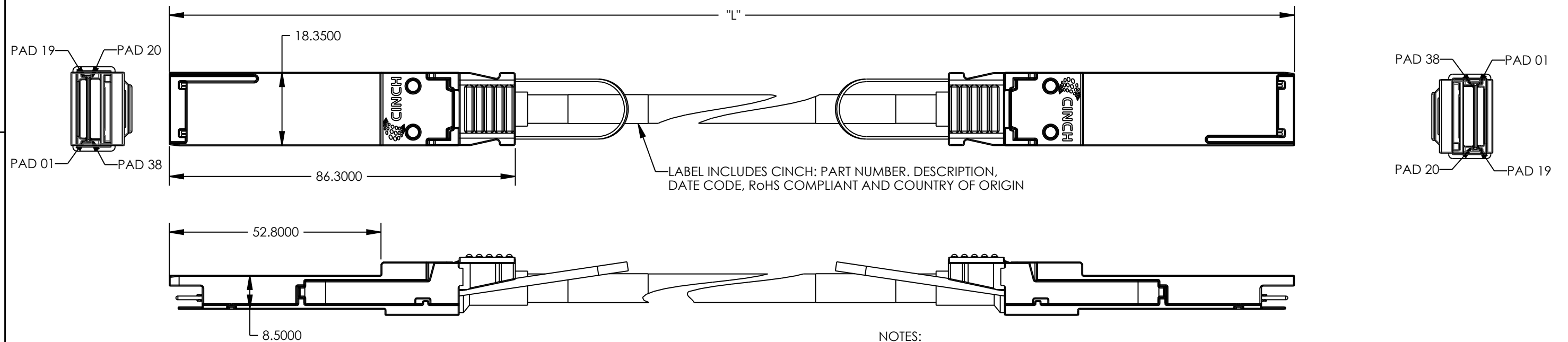


DRAWING REVISIONS (RELEASE DATE ON FILE)			
REV	DOCUMENT	APP	APPROVAL DATE
A	INITIAL RELEASE	JDS	09/14/09



NOTES:

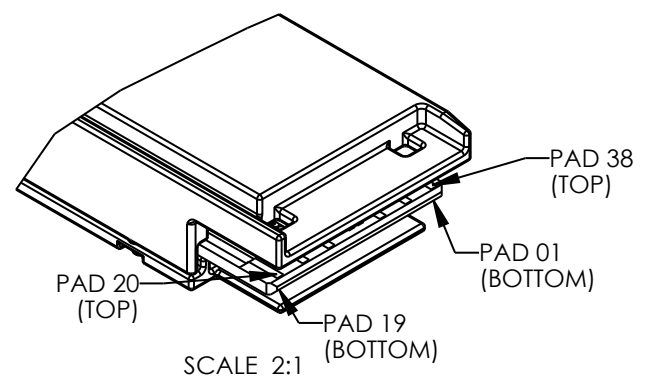
CABLE SPECIFICATIONS:
 TWINAX: FULLY SHIELDED DIFFERENTIAL PAIRS; UL STYLE CL2 OR CM. CHARACTERISTIC IMPEDANCE: 100. +/- 10 OHMS.
 DC BLOCKING CAPS (0.1uF) ON Rx ONLY.
 EEPROM PROGRAMMED per SFF8436
 I C²MODULE SELECT BUFFER INCLUDED.

PLUG MATERIAL:
 PADS - GOLD PLATED OVER NICKEL OVER COPPER BASE MATERIAL.
 SHELL - ZINC DIE CAST; NICKEL PLATED OVER COPPER PLATING.
 LATCH MECHANISM - ZINC DIE CAST; NICKEL PLATED OVER COPPER PLATING.

MECHANICAL PERFORMANCE:
 LATCH RETENTION FORCE - 90 N (20.2 LBS) MIN
 DURABILITY - 50 CYCLES

ENVIRONMENT:
 OPERATING TEMPERATURE RANGE: -20°C to 75°C.

PERFORMANCE:
 DIRECT ATTACH CABLE ASSEMBLY MEETS InfiniBand™ REQUIREMENTS FOR HIGH SPEED DATA TRANSFERS AND SFF 8436.



ASSEMBLY PART NUMBER	28 GAGE CABLE LENGTH "L"	TOLERANCE	IBTA INTEGRATORS LIST
717 04 00 040	0.5 METERS LONG	± 30.0mm OF "L"	DDR, QDR
717 04 00 041	1.0 METERS LONG	± 50.0mm OF "L"	DDR, QDR
717 04 00 042	2.0 METERS LONG	± 50.0mm OF "L"	DDR, QDR
717 04 00 043	3.0 METERS LONG	± 50.0mm OF "L"	DDR, QDR
717 04 00 044	4.0 METERS LONG	± 80.0mm OF "L"	DDR, QDR
717 04 00 045	5.0 METERS LONG	± 80.0mm OF "L"	DDR, QDR
717 04 00 046	6.0 METERS LONG	± 80.0mm OF "L"	DDR

RoHS COMPLIANT

UNITS		PRO/E		CINCH		MODELED BY: JDS			
DO NOT SCALE DRAWING		DESIGN ENGINEER JD SCRUGGS	DATE 07/01/09	TITLE QSFP CABLE ASSEMBLY 28 GAGE PASSIVE PCB		CONTROL SPEC NUMBER			
UNLESS OTHERWISE SPECIFIED: ALL DIMENSIONS ARE IN mm		APPROVALS ON FILE		MATERIAL		PROJECT NUMBER			
FILLET/RADII 0.50 MAX.				MATERIAL SPEC NUMBER		FINISH		DRAWING NUMBER	
TOLERANCES X ± 0.3 XX ± 0.13 .XXX ± 0.025 ANGULAR ± 0.5°				CAGE IDENT NO.		SIZE		DRAWING NUMBER	
CONFIDENTIAL THIS DOCUMENT IS THE PROPERTY OF CINCH. NEITHER THIS DOCUMENT NOR ANY OF THE INFORMATION CONTAINED IN IT MAY BE DUPLICATED OR DISCLOSED WITHOUT PRIOR WRITTEN CONSENT OF CINCH. ©COPYRIGHT CINCH		71785		B		7170400040S			
				SCALE		SHEET 1 OF 1			