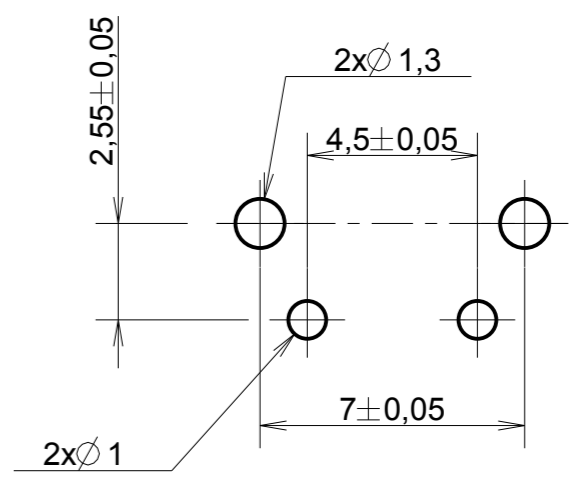
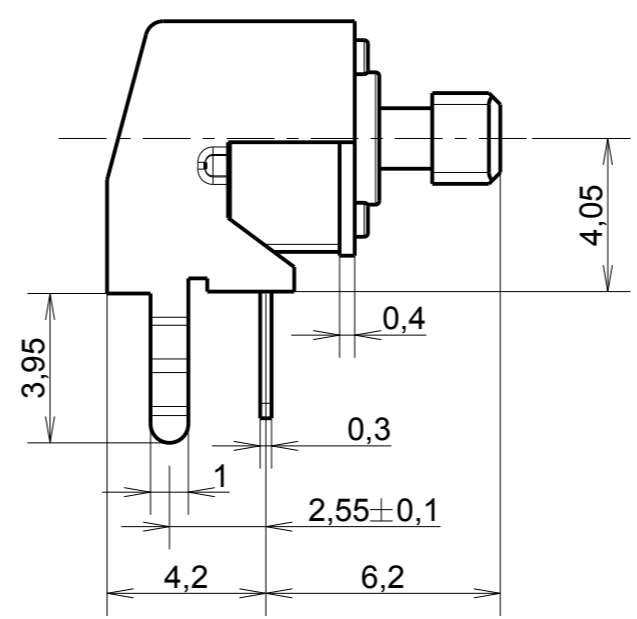
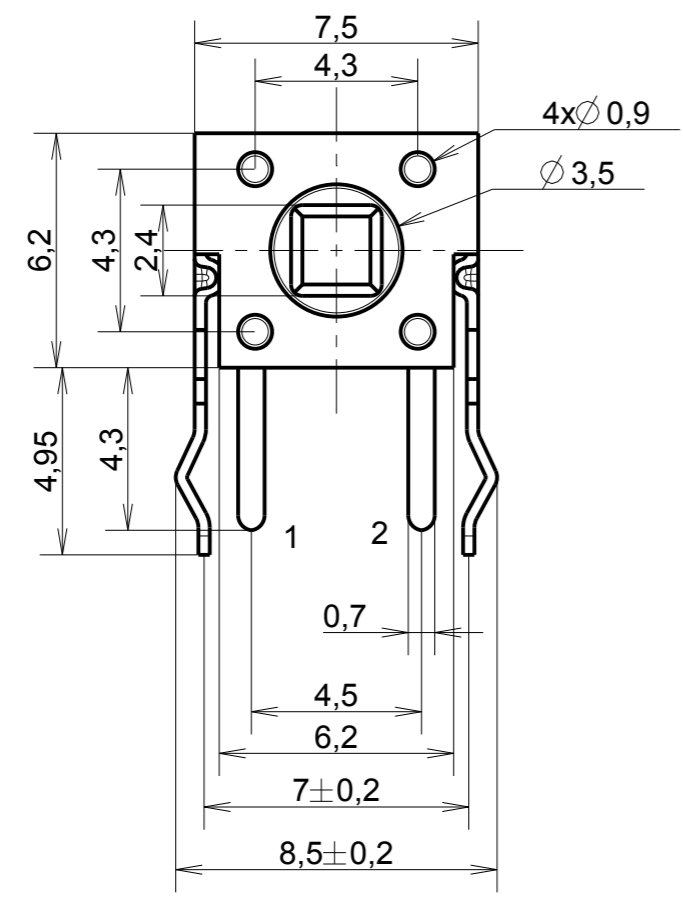
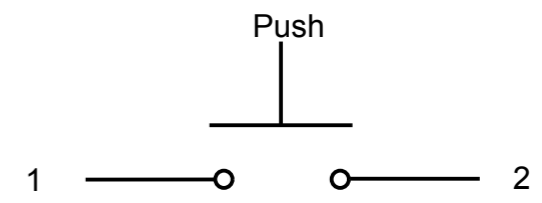


SCHMATIC



RECOMMENDED PCB LAYOUT

PTS645VJX61-2 LFS

Actuation Force  
 L: 130 gf  
 M: 160 gf  
 H: 200 gf  
 K: 260gf

Y97JS12A1PAFP	PTS645VJL61-2 LFS	130 gf	BLACK
Y97JS12A2PAFP	PTS645VJM61-2 LFS	160 gf	BLUE
Y97JS12A4PAFP	PTS645VJH61-2 LFS	200 gf	GREY
Y97JS12A5PAFP	PTS645VJK61-2 LFS	260 gf	RED
PART NUMBER	DESIGNATION	ACTUATOR FORCE	ACTUATOR COLOR

Material: .	Traitement: .	Protection: .	Volume: .
UNLESS OTHERWISE : - DIMENSIONS GIVEN BEFORE PROTECTION - BURRS AND SHARP EDGES DELETED		ANGULAR TOLERANCE ± 1°	CRITICAL DIMENSIONS ▼
		LINEAR TOLERANCE ± 0,15	SPC DIMENSIONS ▼
		SURFACE FINISH Ra	MODIFIED ON THIS REV. ●
CREATE BY RIFFAUD	DATE 19/05/14	MODIFICATION see revision table on the first sheet	
CHECKED BY	DATE	REPLACE	
APPROVED BY Kubat, Laurent	DATE 20/05/14	FILENAME CU97M19645FP	STATE OFFICIEL
		DRAWING DESCRIPTION	
		PTS645VJX61-2 LFS	
		SCALE 5,00	DRAWING NUMBER
		SIZE A3	
BP 359 - 39105 Dole - FRANCE -		CU97M19645FP	

THIS DRAWING IS THE PROPERTY OF G&K COMPONENTS SAS. IT CAN NOT BE REPRODUCED OR TRANSMITTED WITHOUT THE WRITTEN PERMISSION OF G&K COMPONENTS SAS.