



Temperature sensors AS Part number 89750151



- Integrated converter : 0-10 V DC output for direct connection to the Millenium 3 analogue inputs

Part numbers

	Type	Description	Range	Accuracy	Supply	Protection casing	Protection probe
89750150	AS	Zone/space	-10 → +40 °C	-0.2 °C + 1.2 °C	24 V DC	IP30	-
89750151	AS	Ventilation duct	-10 → +60 °C	-0.2 °C + 1.9 °C	24 V DC	IP65	IP30
89750152	AS	External	-10 → +40 °C	-0.2 °C + 1.2 °C	24 V DC	IP65	-
89750153	AS	Remote/submersible probe	-10 → +150 °C	-0.2 °C + 1.2 °C	24 V DC	IP65	IP67
89750155	AS	Remote/submersible probe	-40 → +20 °C	-0.2 °C + 1.9 °C	24 V DC	IP65	IP67

Specifications

Environmental characteristics

Ambient temperature	-10 → +60 °C
Ambient humidity	5 → 95 % RH
Housing material	Self-extinguishing

Electrical characteristics

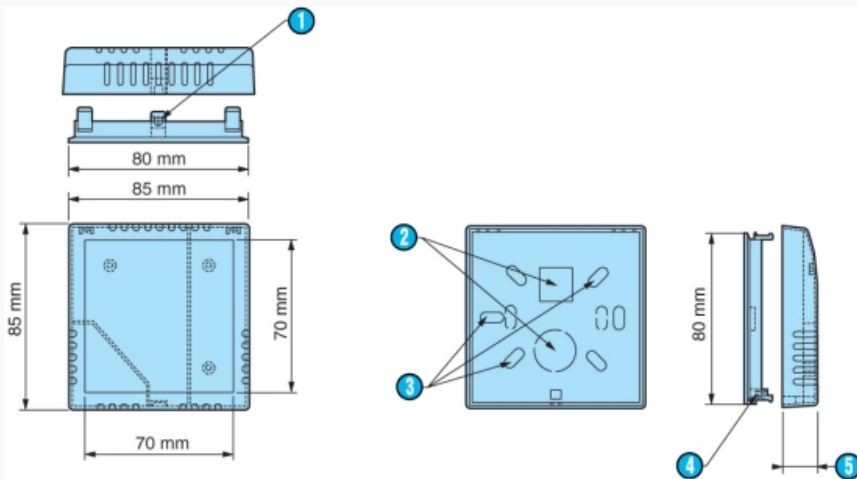
Supply voltage	24 V DC (± 10 %)
Output	0 → 10 V DC
Temperature coefficients Derating	0.01 %/ °C of full scale
Temperature coefficients Offset	1,5 mV / °C

Accessories

Accessories	Operating temperature	Operating pressure	Code
Copper protective sleeve	-20 → +100 °C	10 bar	89750146
316 stainless steel protective sleeve	-20 → +400 °C	16 bar	89750147
Heat transfer compound	-	-	18373112

Dimensions (mm)

89750150

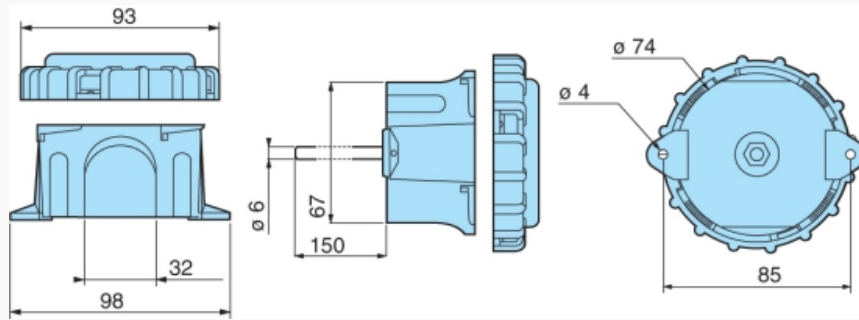


N°	Legend
①	Ø3 mm for M3 x 8 screw
②	Cut-outs made prior to delivery
③	Fixing holes

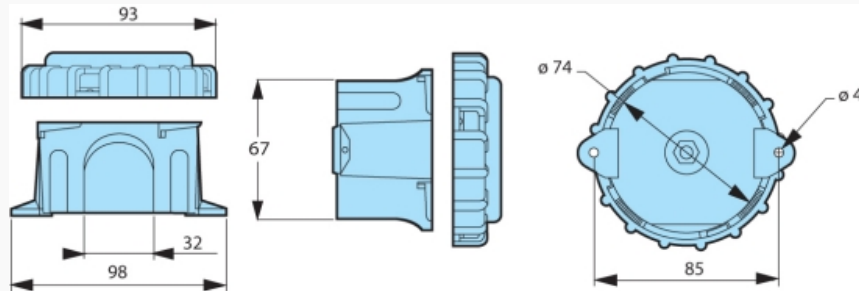
④	Indentation for M3 square nut
⑤	Total depth 26 mm

Dimensions (mm)

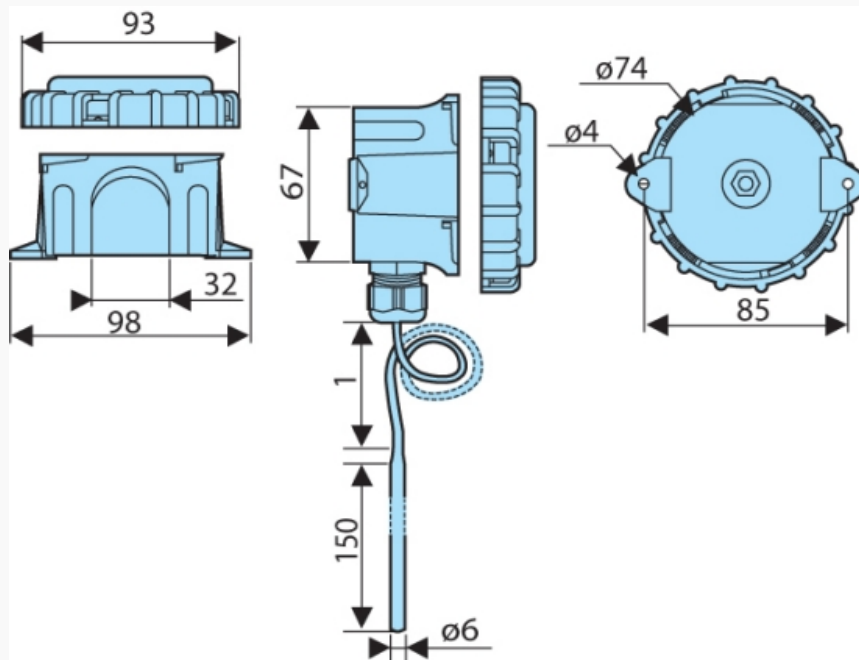
89750151

**Dimensions (mm)**

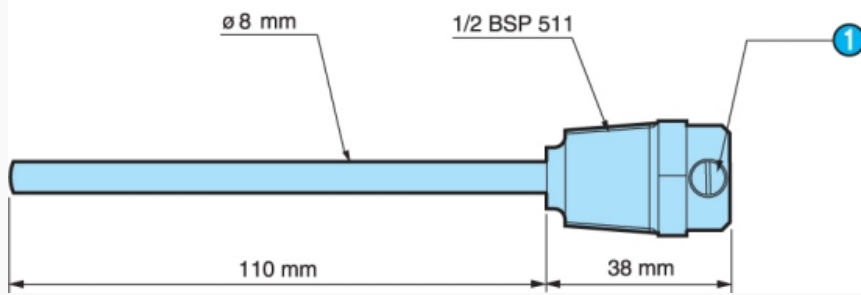
89750152

**Dimensions (mm)**

89750153 and 89750155

**Dimensions (mm)**

Accessory for 89750153 and 89750155



N°	Legend
1	M4 screw