

PART NAME: KNOB SCALE: 1:1 DATE: 2//9/88 DR. BY HD

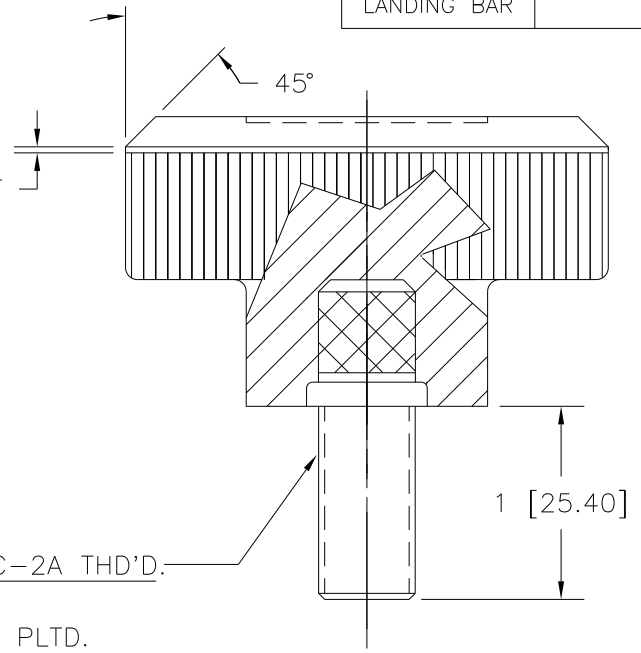
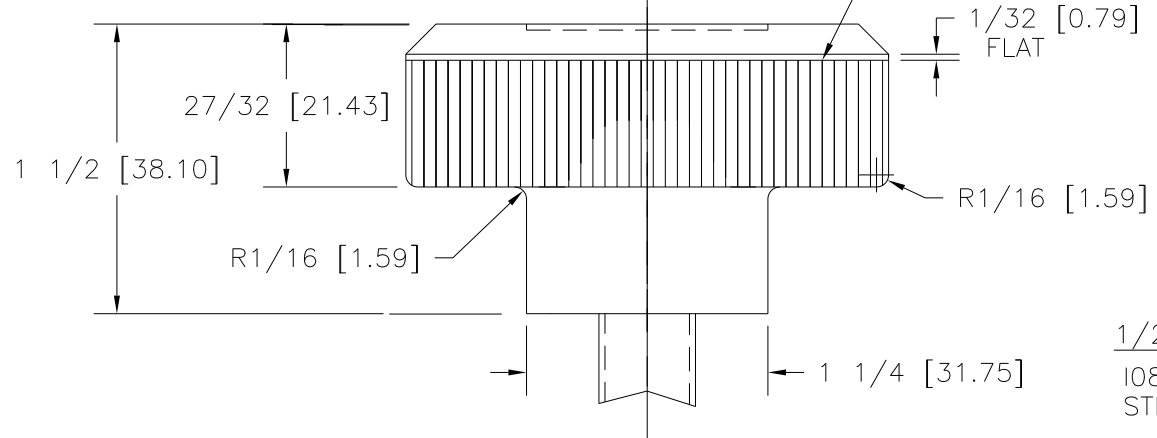
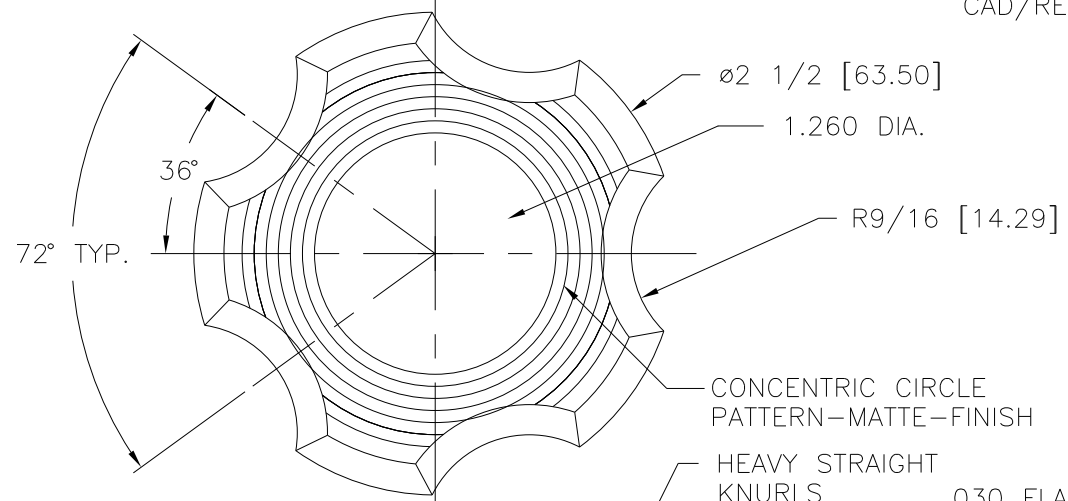
THIS DRAWING IS THE PROPERTY OF DAVIES MOLDING COMPANY, IS SUBMITTED SOLELY AS A DESIGN OR ENGINEERING PROJECT. WE ACCEPT NO RESPONSIBILITY WHATSOEVER FOR THE PRACTICAL APPLICATION OF THE PIECES MADE TO THIS DESIGN.



DESIGNERS & MANUFACTURERS OF KNOBS, HANDLES, CASES & CUSTOM PLASTIC COMPONENTS

P/N	2890AC
M NO.	2890-2830
CAVITY	2890
CAV.PLUG	2890
PLUNGER	2890
PLUNGER PIN	2890
PIN	3000-J
INSERT	10827
SHIM	NONE
TOP PLT. LANDING BAR	.75 APPR.

CAD/REDRAWN : 8/8/94 : HD



MATERIAL: PHENOLIC
COLOR: BLACK

TOLERANCES: UNLESS OTHERWISE SPECIFIED	DO NOT SCALE DRAWING			
DECIMALS: X.XXX ± .005 X.XX ± .015	MM: X.XX ± 0.15MM X.X ± 0.4MM			
FRACTIONS ± 1/64	ANG. ± 1°	CHANGES		