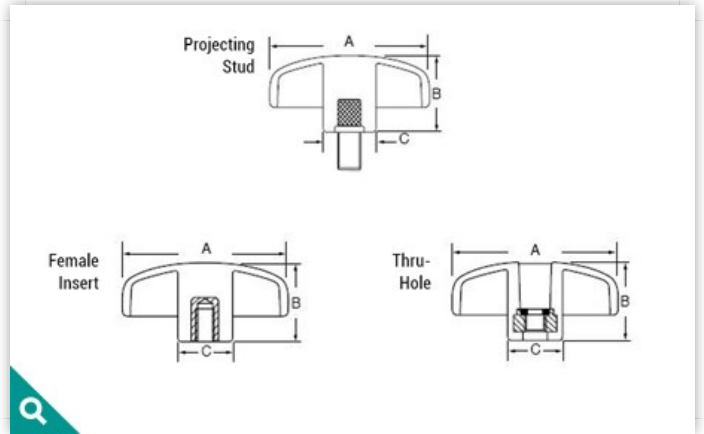


« Clamping Knobs

Knurled Scalloped Clamping Knobs

Series #2791

- ▶ Clamping knobs are available in different materials, thermoplastic, and phenolic for a multiple of applications.
- ▶ A variety of shapes and diameters with plain, tapped bosses or with studs are available with standard threads to fit the application.
- ▶ Perfect for the industrial machinery, medical, general equipment and other industrial applications.
- ▶ Knobs can be decorated or customized to your specific need.
- ▶ Davies Molding is pleased to introduce our series of soft touch knobs and handles. Our soft touch parts are molded with a soft thermoplastic overmolded "rubber" top with a tough thermoplastic body underneath. The soft feel of the knob provides a comfortable touch with a sure grip.
- ▶ Colors available upon request.
- ▶ Please note: Not all variations available are listed below. Please [contact customer service](#) to inquire about all available options.



CHECK INVENTORY

REQUEST A QUOTE

Item #	Diameter A	Height B	Hub C	Material Type	Mounting Diameter	Mounting Type	Thread Length/Depth	Color	Product Drawing
2791	1.88	0.84	1	Thermoplastic	1/4-20	Female Insert	0.50	BLACK	Download
2791-A	1.88	0.84	1	Thermoplastic	5/16-18	Female Insert	0.50	BLACK	Download
2791-B	1.88	0.84	1	Thermoplastic	3/8-16	Female Insert	0.50	BLACK	Download
2791-C	1.88	0.84	1	Thermoplastic	1/4-20	Projecting Stud	0.56	BLACK	Download
2791-D	1.88	0.84	1	Thermoplastic	5/16-18	Projecting Stud	0.75	BLACK	Download
2791-E	1.88	0.84	1	Thermoplastic	3/8-16	Projecting Stud	0.625	BLACK	Download
2791-H	1.88	0.84	1	Thermoplastic	3/8-16	Projecting Stud	1.50	BLACK	Download
2791-K	1.88	0.84	1	Thermoplastic	3/8-24	Projecting Stud	1.00	BLACK	Download

questions / comments

1 + 1 = *