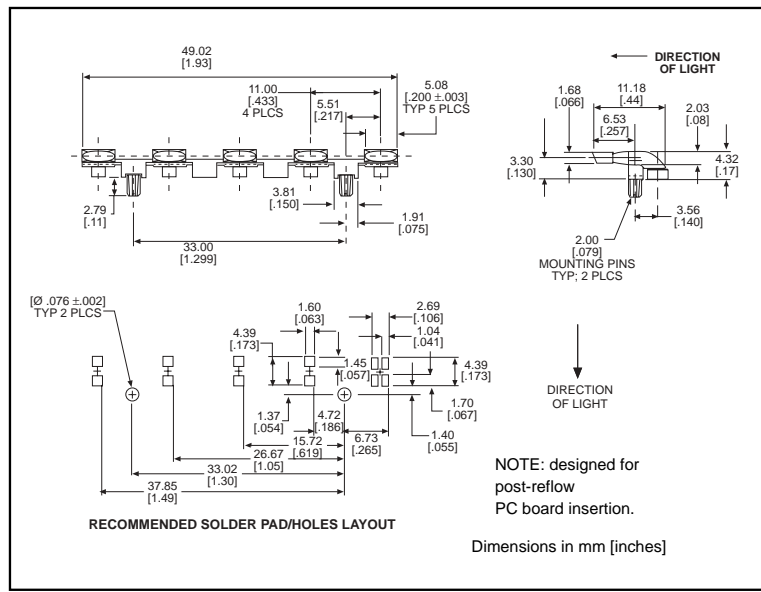




5x1.7mm Oval
microLED® Optopipe™
Optical Light Pipe, 5 Array

Dialight
515-1091



MicroLED SMT LEDs
for use with 515-1091

<u>PART NO.</u>	<u>PAGE #</u>
Recommended	
597-3111-5xx	1-30
597-3211-5xx	1-30
597-3301-5xx	1-30
597-3401-5xx	1-30
597-77x1-5xx	1-31
Alternatives	
597-3111-4xx	1-28
597-3201-4xx	1-28
597-3311-4xx	1-28
597-3401-4xx	1-28

Solder Pad/Holes layout shown is for single color LEDs listed under "Recommended LEDs".
 Pads on far right are for recommended bi-colors.

2

Features

- High transmissivity polycarbonate material
- UL94V-0 compliance
- ESD protection (circuit isolation from front panel)
- Wide viewing angle
- Arrays reduce insertion costs
- Secures to PCB by press-fit

LED Data

For absolute maximum ratings and other electrical and optical data on the recommended LEDs, refer to LED data sheets.

Operating/Storage Temperature

-30°C to +100°C

Dialight Optopipe Light Pipe Description

This Optopipe™ has 5 polished, elliptical elements, which protrude through the panel, and are back-angled 14°. The SMT LEDs are mounted in a straight line under the rear of the part on an 11mm pitch. Two press-fit pins hold the light pipe securely to the PCB. The light pipe material is water clear transmissive polycarbonate rated UL94-V0, and has a 35% oxygen index.

Dialight can provide custom Optopipe™ solutions for your applications.