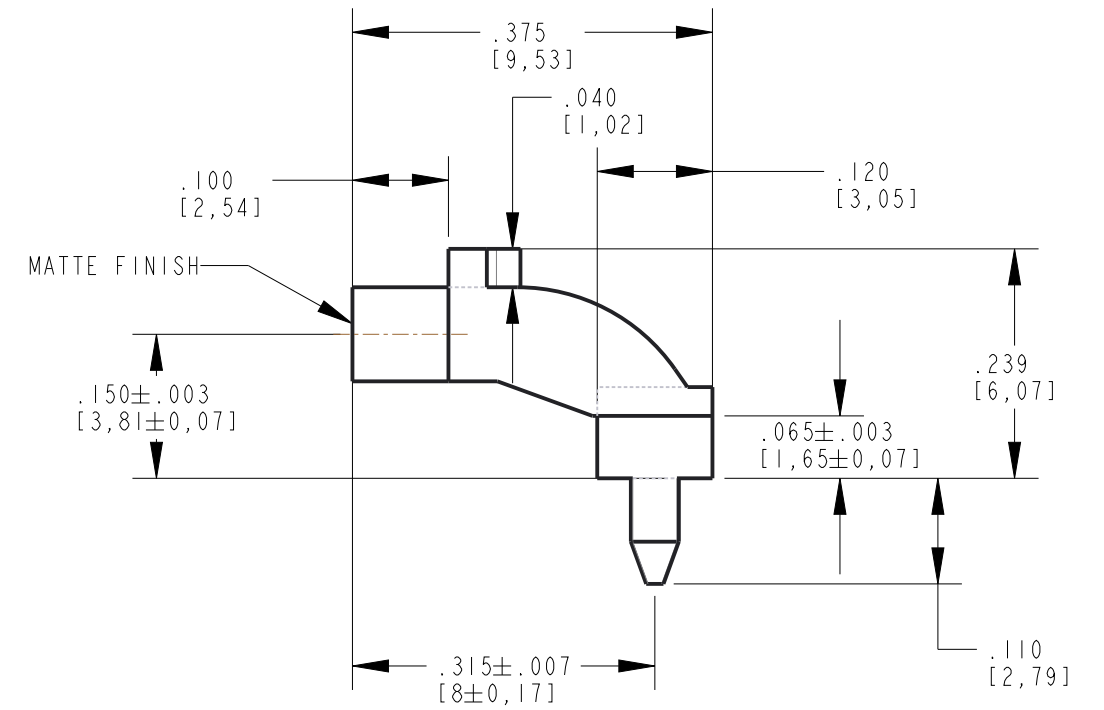
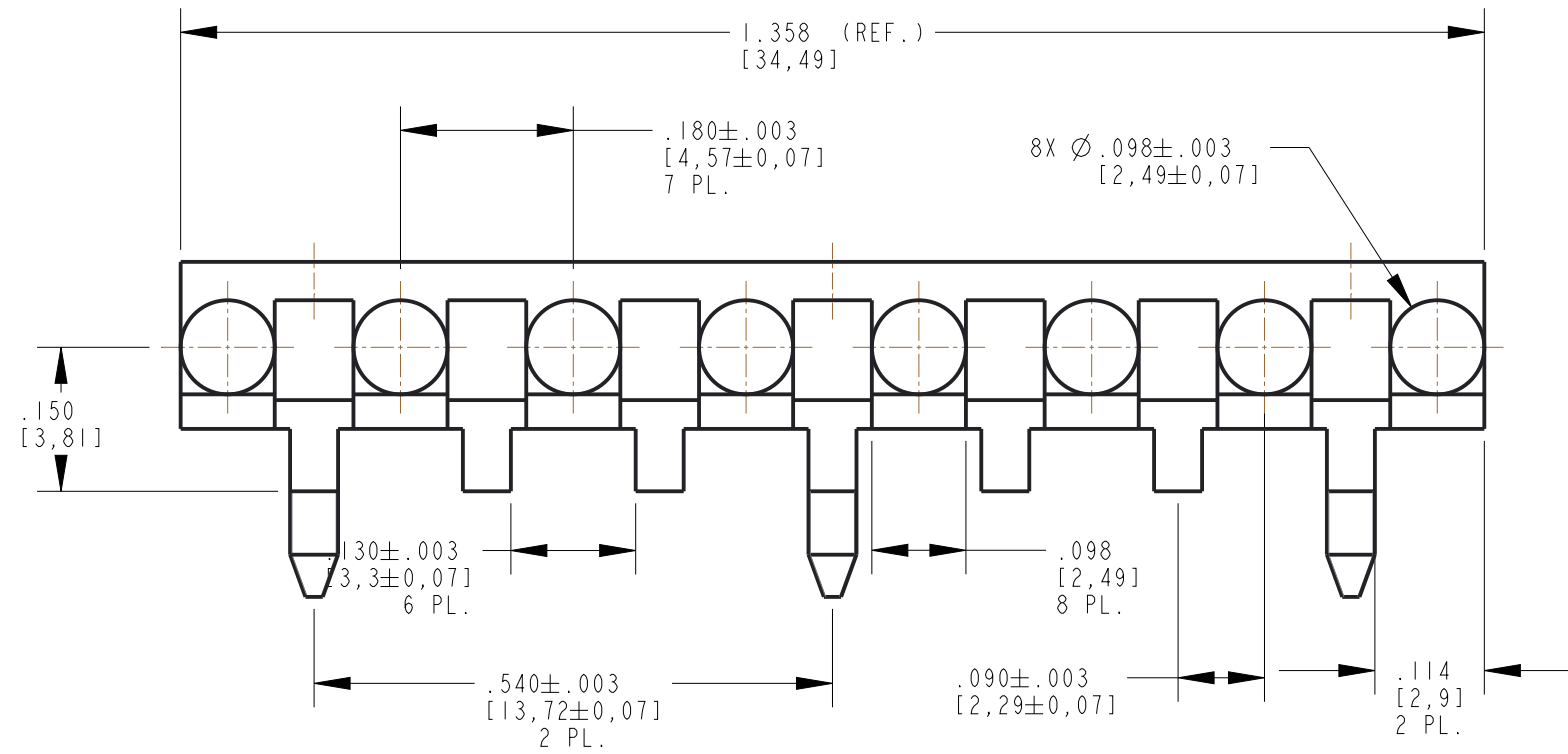
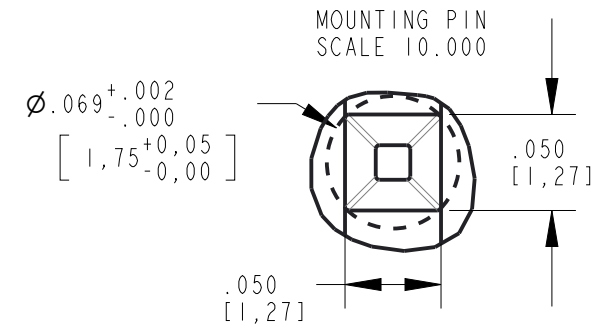
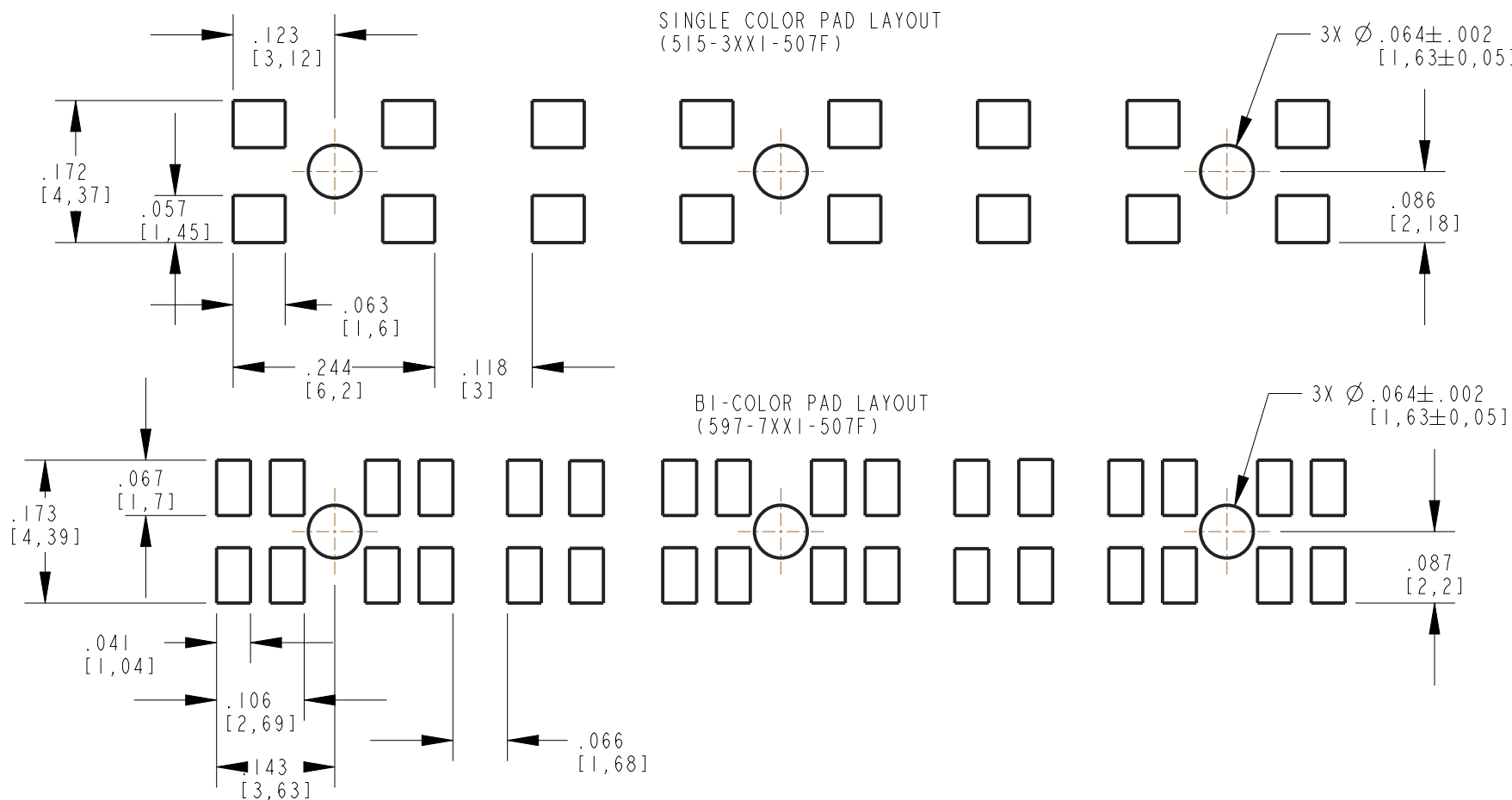


REV	ECN NO	REVISIONS	DRN	CKD	APP	QA	CM	DATE
A	102315	NEW RELEASE	LD	NO	CS			2-17-23



### RECOMMENDED HOLE & PAD LAYOUT



#### NOTES:

1. DIALIGHT PART NUMBER: 515-1062F
2. COMPONENTS ARE DESIGNED TO BE PRESED INTO PCB.
3. MATERIAL TO BE CLEAR, TRANSMISSIVE POLYCARBONATE (UL 94V-0 FLAMMABILITY)
4. STORAGE AND OPERATING TEMPERATURE: -30°C TO +100°C
5. RECOMMENDED SURFACE MOUNT DIALIGHT LEDS:  
597-3XXI-50XF (SINGLE COLOR)  
597-7XXI-50XF (BI COLOR)

THIS DRAWING AND THE CONTENTS HEREIN ARE CONFIDENTIAL AND THE SOLE PROPERTY OF DIALIGHT CORP. REPRODUCTION OF THIS DRAWING OR CONSTRUCTION OF ANY PARTS WITHIN THIS DRAWING ARE FORBIDDEN WITHOUT THE WRITTEN CONSENT OF DIALIGHT CORP.		
DIALIGHT CORP. INTERNAL REFERENCE ONLY = 3D MODEL : 5151062-A.11		
SCALE: 5.000	DRAWING NUMBER	REV
ALL DIM'S: INCH (mm)	<b>C-18650</b>	<b>A</b>
TOLERANCES: UNLESS OTHERWISE SPECIFIED	TITLE 8 ELEMENT LIGHTPIPE	
FRACTIONS: ±1/64 DECIMALS (.XX): ±.01 DECIMALS (.XXX): ±.005 DECIMALS (.XXXX): ±.0005 ANGLES: ±1°	MATERIAL SEE BOM	
FINISH		
FSCM 83330	1501 ROUTE 34 SOUTH FARMINGDALE, NJ 07727 (732) 919-3119 www.dialight.com	
SHEET 1 OF 1	FAMILY TABLE:	