

Dialight

249 Series

LED Panel Mount Indicators for 3/8" Mounting Hole



FEATURES / BENEFITS

- ▲ Long life – typically 100K hours
- ▲ Low power consumption – uses up to 90% less energy than an incandescent indicator
- ▲ Front or rear panel mounting
- ▲ Available in either cylindrical or stovepipe lens, unique internal fresnel design provides uniform illumination
- ▲ Aluminum black anodized housing enhances contrast
- ▲ No heat generate
- ▲ Resistant to shock and vibration
- ▲ Colors include – red, green, yellow and blue
- ▲ Polarity indication by terminal (+) denotes anode

APPLICATIONS

Dialight's 249 series LED panel mount indicator is available with a variety of LEDs as well as neon for 120 VAC operation. Typical applications for the 249 series include:

- Main and remote power indication
- Maintenance and warning indication
- Process Control
- Status indication
- Instrumentation
-and many more!

SPECIFICATIONS

- ▲ Voltage requirements: 3.6, 5, 10, 14 and 28 VDC*
(No current limiting resistor required)
- ▲ Electrical connection: Turret terminals for wire wrapping
- ▲ Mounting hole size: 0.375" (9.53 mm)
- ▲ Operating temperature: -20° to +71°C
- ▲ Storage temperature: -40° to +71°C
- ▲ Panel thickness: 0.031-0.312" (.787 – 7.92 mm)
- ▲ Mounts with knurled flange nut, lock washer and nut.

* Dialight recommends tolerance of 5% of specified voltage range

STOVEPIPE LENS

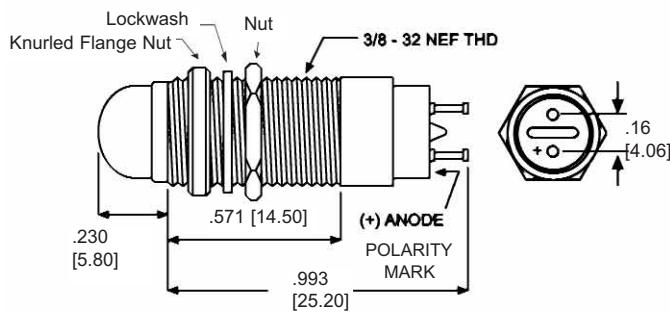


Figure 1

CYLINDRICAL LENS 1

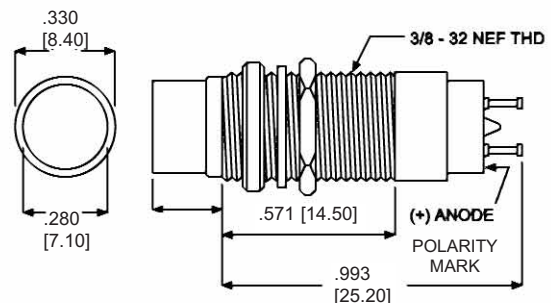


Figure 2

NOTES:

1. Dimensions in inches [mm]
2. All measurements are typical
3. Hardware includes knurled ring, lock washer & hex nut

1. Cylindrical lens will provide wider viewing angle.

Dialight reserves the right to make changes at any time in order to supply the best product possible.

Dialight Corporation

1501 Route 34 South • Farmingdale, NJ 07727 USA

Tel: (1) 732-919-3119 • Fax: (1) 732-751-5778 • www.dialight.com



MDEL249X001_C



249 Series LED Panel Mount Indicators for 3/8" Mounting Hole

STOVEPIPE CAP

PART NUMBER	COLOR	VOLTAGE (VDC)*	CURRENT (mA)	INTENSITY TYP (mcd)	FIGURE
249-4162-3734-504	Blue	3**	10	1500	1
249-7867-3731-504	Red	3.6	20	170	1
249-7967-3732-504	Green	3.6	20	100	1
249-8067-3733-504	Yellow	3.6	20	150	1
249-4164-3734-504	Blue	5	10	1500	1
249-7868-3731-504	Red	5	20	170	1
249-7968-3732-504	Green	5	20	100	1
249-8068-3733-504	Yellow	5	20	150	1
249-4166-3734-504	Blue	10	10	1500	1
249-7870-3731-504	Red	10	20	170	1
249-7970-3732-504	Green	10	20	100	1
249-8070-3733-504	Yellow	10	20	150	1
249-4167-3734-504	Blue	14	10	1500	1
249-7871-3731-504	Red	14	20	170	1
249-7971-3732-504	Green	14	20	100	1
249-8071-3733-504	Yellow	14	20	150	1
249-4168-3734-504	Blue	28	10	1500	1
249-7872-3731-504	Red	28	20	170	1
249-7972-3732-504	Green	28	20	100	1
249-8072-3733-504	Yellow	28	20	150	1

CYLINDRICAL CAP

PART NUMBER	COLOR	VOLTAGE (VDC)*	CURRENT (mA)	INTENSITY TYP (mcd)	FIGURE
249-4162-3334-504	Blue	3**	10	700	2
249-7867-3331-504	Red	3.6	20	55	2
249-7967-3332-504	Green	3.6	20	40	2
249-8067-3333-504	Yellow	3.6	20	75	2
249-4164-3334-504	Blue	5	10	700	2
249-7868-3331-504	Red	5	20	55	2
249-7968-3332-504	Green	5	20	40	2
249-8068-3333-504	Yellow	5	20	75	2
249-4166-3334-504	Blue	10	10	700	2
249-7870-3331-504	Red	10	20	55	2
249-7970-3332-504	Green	10	20	40	2
249-8070-3333-504	Yellow	10	20	75	2
249-4167-3334-504	Blue	14	10	700	2
249-7871-3331-504	Red	14	20	55	2
249-7971-3332-504	Green	14	20	40	2
249-8071-3333-504	Yellow	14	20	75	2
249-4168-3334-504	Blue	28	10	700	2
249-7872-3331-504	Red	28	20	55	2
249-7972-3332-504	Green	28	20	40	2
249-8072-3333-504	Yellow	28	20	75	2

* Dialight recommends tolerance of 5% of specified voltage range

** Requires current limiting resistor

Dialight reserves the right to make changes at any time in order to supply the best product possible.

Dialight Corporation

1501 Route 34 South • Farmingdale, NJ 07727 USA

Tel: (1) 732-919-3119 • Fax: (1) 732-751-5778 • www.dialight.com



MDEL249X001_C