

Dura-Con™ Micro-D Strain Relief Backshell

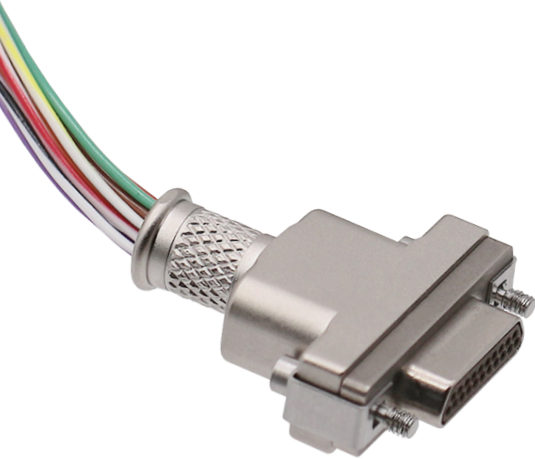
The Cinch Advantage

Cinch Dura-Con Strain Relief Backshells (DCBS) connect cable shields to Micro-D connectors and provide strain relief and electromagnetic protection. Seamless to install for a variety of harnesses. Backshells can be delivered with braided sleeves of specified lengths. Available for all Cinch Dura-Con Micro-D shell sizes.

Backshell hardware passes through the backshell and connector shell. The hardware retains both shells with a retaining clip at the base of the threads.

Features

- Multiple entry sizes
- Stocked as backshell only, Contact Cinch for assemblies with braided sleeves and/or abrasion protection
- Available for all Cinch Dura-Con Micro-D shells sizes: 9 to 100 pins
- Aluminum alloy shell available with electroless nickel plating and cadmium plating
- Jackpost, socket head hardware and retaining clip included
- Wire entry extended for bonding braided sleeve to shell with a metal strap



9 Position



15 Position



21 Position



25 Position



31 Position



37 Position



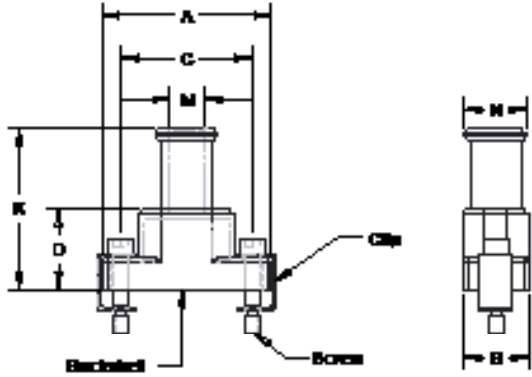
51 Position



100 Position

Dura-Con™ Micro-D Backshell Strain Relief

Dura-Con™



Dimensions

Shell Size	A Max. (in.)	B Max. (in.)	C Max. (in.)	D Max. (in.)	K Max. (in.)	M Max. (in.)	N Max. (in.)
9A	0.775"	0.360"	0.565"	0.320"	0.76"	0.156"	0.312"
15B	0.925"	0.360"	0.715"	0.440"	0.88"	0.188"	0.344"
21C	1.075"	0.360"	0.865"	0.560"	1.00"	0.219"	0.375"
25D	1.175"	0.360"	0.965"	0.620"	1.06"	0.250"	0.406"
25H	1.175"	0.360"	0.965"	0.620"	1.06"	0.375"	0.531"
31E	1.325"	0.360"	1.115"	0.680"	1.12"	0.281"	0.437"
37E	1.475"	0.360"	1.265"	0.720"	1.16"	0.281"	0.437"
37F	1.475"	0.360"	1.265"	0.720"	1.16"	0.312"	0.469"
51F	1.425"	0.400"	1.215"	0.750"	1.19"	0.312"	0.469"
51H	1.425"	0.400"	1.215"	0.750"	1.19"	0.375"	0.531"
100H	2.160"	0.450"	1.800"	0.810"	1.25"	0.375"	0.531"

DCBS T 21 F

Cinch Dura-Con™ Series

DCBS Micro D Backshell

Entry Type

T Top Entry

Shell & Entry Size

- 09A 9 Position, 0.156" Diameter
- 15B 15 Position, 0.290" Diameter
- 21C 21 Position, 0.220" Diameter
- 25D 25 Position, 0.250" Diameter
- 25H 25 Position, 0.250" Diameter
- 31E 31 Position, 0.281" Diameter
- 37E 37 Position, 0.281" Diameter
- 37F 37 Position, 0.281" Diameter
- 51F 51 Position, 0.312" Diameter
- 51H 51 Position, 0.312" Diameter
- 100H 100 Position, 0.375" Diameter

Shell Finish

- C Yellow Chromate - Cadmium
- N Electroless Nিকে



Asia Pacific
+86 21 5442 7668
ccs.asia.sales@as.cinch.com

Europe, Middle East & Africa
+44 (0) 1245 342060
cinchconnectivity@eu.cinch.com

North America
+1 507 833 8822
ccsorders@us.cinch.com

belfuse.com/cinch