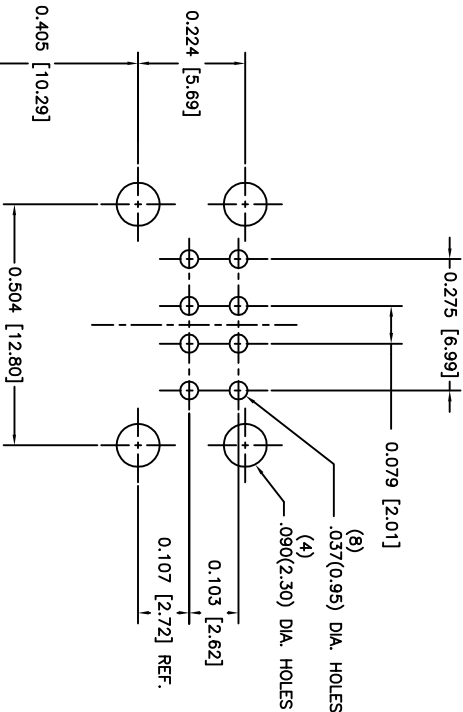
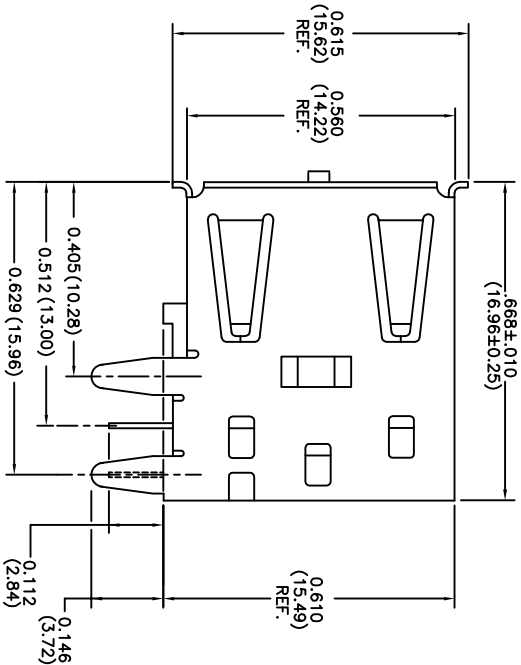
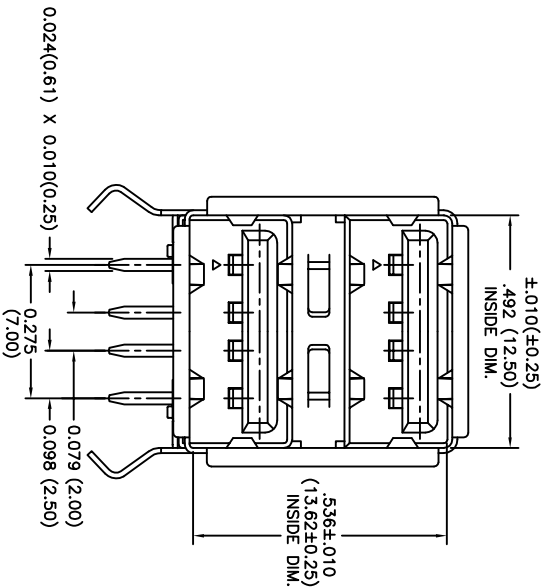
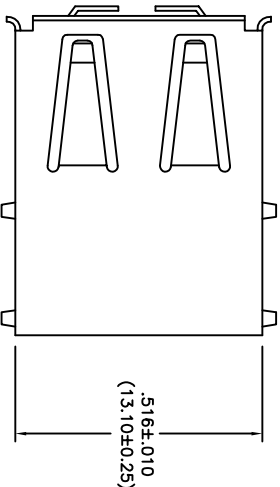


GENERAL TOLERANCE, UNLESS OTHERWISE SPECIFIED: $\pm 0.006 (\pm 0.15)$

SPECIFICATIONS:

CURRENT RATING: 1.5 AMPD AT 250VAC
 VOLTAGE RATING: 30V
 INSULATION RESISTANCE: 1000 MEGOHMS MIN.
 CONTACT RESISTANCE: 30 MILLIOHMS MAX.
 DIELECTRIC WITHSTANDING VOLTAGE: 500V AC
 TEMPERATURE RANGE: -55°C TO +85°C



RECOMMENDED PCB LAYOUT

TOLERANCE: $\pm 0.002 (\pm 0.05)$

MATERIALS:

SHELL: COPPER ALLOY, NICKEL PLATED
 CONTACTS: COPPER ALLOY GOLD PLATE ON CONTACT AREA
 TIN ON TAIL END OVER NICKEL

221 CONTACT CODE
 321 CONTACT CODE
 521 CONTACT CODE
 621 CONTACT CODE
 INSULATOR: THERMOPLASTIC (HIGH TEMPERATURE RESISTANCE)

PART NUMBER: 690-008-221-013

CONTACT CODE _____



THIS SERIES FULLY CONFORMS TO THE
 EUROPEAN UNION DIRECTIVES
 2011/65/EU FOR ROHS COMPLIANCY.

USB CONNECTOR A TYPE, RIGHT ANGLE, DOUBLE DECK

EDAC INC TORONTO, ONTARIO CANADA		THESE DRAWINGS AND SPECIFICATIONS ARE THE PROPERTY OF EDAC INC. AND SHALL NOT BE REPRODUCED, OR COPIED OR USED AS THE BASIS FOR THE MANUFACTURE OR SALE OF APPARATUS WITHOUT WRITTEN PERMISSION.	
YOUR CONNECTION TO QUALITY & SERVICE			
ACAD REFERENCE NO.	690-008-221-013	SCALE: N.T.S.	SHEET 1 OF 1
DRAWN: F.BRIONES	DATE: OCT.21/09	DRAWING NUMBER	690-008-221-013
CHECKED:	DATE:	ISSUE	11

ISSUE NUMBER	(1)
RE-DWG AS PER LATEST INF.	
F.BRIONES OCT.21/09	(9)
ADD OPERATING TEMPERATURE	
-55°C TO +85°C	(10)
R:STAMONICA FEB.02/2016	
ADD GENERAL TOLERANCE	
$\pm 0.006 (\pm 0.15)$	(11)
R:STAMONICA FEB.09/2016	