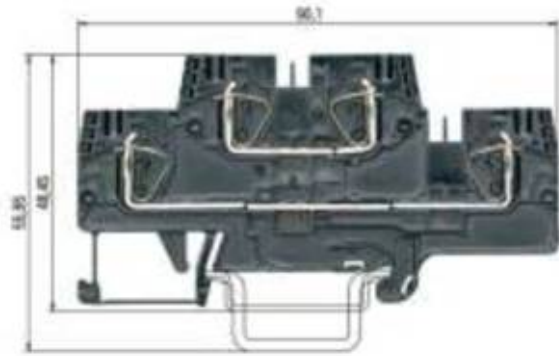


Datasheet

Item No. 56.704.6955.1

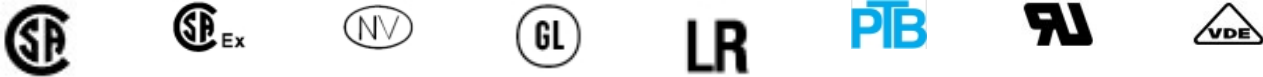
Multi-tier terminal WKFN 4 E/VB/35

Multi-tier terminal block with spring clamp connection for mounting on TS 35, nominal cross section 4 mm², width 6 mm, color black



Item No.	56.704.6955.1
EAN	4015573767164
order unit	100 Piece(s)

Approvals



Technical data

General

Nominal cross section	4 mm ²
Colour	Black
Number of levels	2
Number of clamp positions per level	2
Width/grid dimension	6 mm
Insulating housing	PA666
Inflammability class of insulation material acc. with UL94	V0
Explosion-tested version "EEx e"	Yes
Mounting method	DIN rail (top hat rail) 35/7.5 mm
Terminal blocks for electrical installations	Yes

Technical data

Rated current	32 A
Rated voltage	500 V
Rated impulse voltage	6 kV
Pollution degree	3
Closing plate required	Yes
Length	90.1 mm
Type of insulation material	Thermoplastic

Connection Data

Connection type 1	Tension clamp connection
Connection type 2	Tension clamp connection

Minimum cross section solid	0.13 mm ²
Maximum cross section solid	6 mm ²
Minimum cross section fine stranded	0.13 mm ²
Maximum cross section fine stranded	4 mm ²
Wire strip length	11 mm

Technical Data UL/CSA

Cross section UL	24-10 AWG
Voltage UL	600
Current factory wiring	30 A
Current field wiring	30 A
Cross section CSA	24-10 AWG
Voltage CSA	300 V
Current CSA	32 A

Accessories

Remark to rated voltage	UL 300V/600V
-------------------------	--------------

Accessories

Item. No.	Typ:	Description:
04.343.6153.8	Warning cover ADF 4/4 YELLOW	Cover with warning symbol for DIN rail terminal blocks type WKF ...
98.300.0000.0	Mounting rail 35x27x7,5EN60715 2000MM	Mounting rail TS 35, unslotted, size 7,5 mm, length 2 m, material steel. galv. zinc-plated and dichromated
98.300.1000.0	Mounting rail 35x27x7,5EN60715 2000MM	Mounting rail TS 35, slotted, size 7,5 mm, length 2 m, material steel. galv. zinc-plated and dichromated
98.300.1900.0	Mounting rail 35x27x7,5EN60715 2000MM	Mounting rail TS 35, slotted, size 7,5 mm, length 2 m, material steel. galv. zinc-plated and dichromated
98.360.0000.0	Mounting rail 35x24x15 EN60715 2000MM	Mounting rail TS 35, unslotted, size 15 mm, length 2 m, material steel. galv. zinc-plated and dichromated
98.360.0004.0	Mounting rail 35x24x15 EN60715 2000MM	Mounting rail TS 35, unslotted, size 15 mm, length 2 m, material steel, hot galvanized
98.370.0000.0	Mounting rail 35x27x15(EN60715)2000MM	Mounting rail TS 35, unslotted, size 15 mm, length 2 m, material steel. galv. zinc-plated and dichromated
98.370.1000.0	Mounting rail 35x27x15(EN60715)2000MM	Mounting rail TS 35, slotted, size 15 mm, length 2 m, material steel. galv. zinc-plated and dichromated
98.380.0000.0	Mounting rail 35x24x15 EN60715 2000MM	Mounting rail TS 35, unslotted, size 15 mm, length 2 m, material E copper
Z5.553.2921.0	Test plug ST 2 / 2.3 RED	Test plug 2,3 mm color red
Z7.261.1227.0	Jumper bar IVBWK 4 - 2	Cross connector, insulated for DIN rail terminal blocks type WKF..., 2 -pole
Z7.261.1327.0	Jumper bar IVBWK 4 - 3	Cross connector, insulated for DIN rail terminal blocks type WKF..., 3 -pole
Z7.261.1427.0	Jumper bar IVBWK 4 - 4	Cross connector, insulated for DIN rail terminal blocks type WKF..., 4 -pole
Z7.261.1527.0	Jumper bar IVBWK 4 - 5	Cross connector, insulated for DIN rail terminal blocks type WKF..., 5 -pole
Z7.261.1627.0	Jumper bar IVBWK 4 - 6	Cross connector, insulated for DIN rail terminal blocks type WKF..., 6 -pole
Z7.261.1727.0	Jumper bar IVBWK 4 - 7	Cross connector, insulated for DIN rail terminal blocks type WKF..., 7 -pole
Z7.261.1827.0	Jumper bar IVBWK 4 - 8	Cross connector, insulated for DIN rail terminal blocks type WKF..., 8 -pole
Z7.261.1927.0	Jumper bar IVBWK 4 - 9	Cross connector, insulated for DIN rail terminal blocks type WKF..., 9 -pole
Z7.261.2027.0	Jumper bar IVBWK 4 - 10	Cross connector, insulated for DIN rail terminal blocks type WKF..., 10 -pole

Drawings

