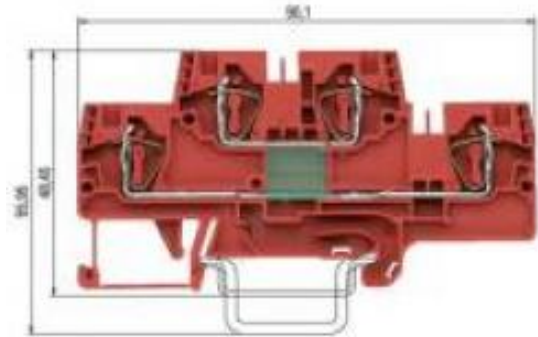


Datasheet

Art.No. 56.704.7555.5

Multi-tier terminal WKFN 4 E/35/.. RO

Multi-tier function terminal block with spring clamp connection for mounting on TS 35, nominal cross section 4 mm², width 6 mm, color red



Art.No.	56.704.7555.5
EAN	4015573771475
Order unit	100 pieces

Approvals



Technical data

General

Nominal cross section	4 mm ²
Colour	Red
Number of levels	2
Number of clamp positions per level	2
Width/grid dimension	6 mm
Insulating housing	PA666
Inflammability class of insulation material acc. with UL94	V0
Explosion-tested version "Ex e"	No
Mounting method	DIN rail (top hat rail) 35/7.5 mm
Terminal blocks for electrical installations	Yes

Technical data

Rated current	32 A
Rated voltage	500 V
Rated impulse voltage	6 kV
Pollution degree	3
Closing plate required	Yes
Type of insulation material	Thermoplastic
Length	90.1 mm

Connection Data

Connection type 1	Tension clamp connection
Connection type 2	Tension clamp connection

Minimum cross section solid	0.13 mm ²
Maximum cross section solid	6 mm ²
Minimum cross section fine stranded	0.13 mm ²
Maximum cross section fine stranded	4 mm ²
Wire strip length	11 mm

Technical Data UL/CSA

Cross section UL	24-10 AWG
Current factory wiring	10 A
Current field wiring	10 A
Cross section CSA	24-10 AWG
Voltage CSA	300 V
Current CSA	32 A

Note

Remark to rated voltage	Voltage has to be reduced accordingly!
-------------------------	--

Classification

ECLASS 8.1	27141120
ETIM 6.0	EC000897
ETIM 5.0	EC000897
ETIM 4.0	EC000897
ETIM 3.0	EC000897

Accessories / components

Art.No.:	Type:	Description
04.243.0855.0	Marking tag carrier BT 5/2	Marking tag carrier for DIN rail terminal blocks type WKFN ...
04.343.6153.8	Warning cover ADF 4/4 GELB	Cover with warning symbol for DIN rail terminal blocks type WKF ...
07.312.9655.0	End plate APFN 4 E/35	End plate for DIN rail terminal blocks type WKFN..., color gray
07.312.9655.7	End plate APFN 4 E/35 GRUEN	End plate for DIN rail terminal blocks type WKFN..., color gray
07.312.9755.0	Partition TWFN 4 E/35	Partition for DIN rail terminal blocks type WKFN ..., color gray
98.300.0000.0	Mounting rail TS 35x7,5 UNPERF - l:2000mm	Mounting rail TS 35, unslotted, size 7,5 mm, length 2 m, material steel. galv. zinc-plated and dichromated
98.300.1000.0	Mounting rail TS 35x7,5 PERF 15mm - l:2000mm	Mounting rail TS 35, slotted, size 7,5 mm, length 2 m, material steel. galv. zinc-plated and dichromated
98.300.1900.0	Mounting rail TS 35x7,5 PERF 25mm - l:2000mm	Mounting rail TS 35, slotted, size 7,5 mm, length 2 m, material steel. galv. zinc-plated and dichromated
98.360.0000.0	Mounting rail TS 35x15-2,3 UNPERF - l:2000mm	Mounting rail TS 35, unslotted, size 15 mm, length 2 m, material steel. galv. zinc-plated and dichromated
98.360.0004.0	Mounting rail TS 35x15-2,3 UNPERF FZN - l:2000mm	Mounting rail TS 35, unslotted, size 15 mm, length 2 m, material steel, hot galvanized
98.370.0000.0	Mounting rail TS 35x15 UNPERF - l:2000mm	Mounting rail TS 35, unslotted, size 15 mm, length 2 m, material steel. galv. zinc-plated and dichromated
98.370.1000.0	Mounting rail TS 35x15 PERF 15mm - l:2000mm	Mounting rail TS 35, slotted, size 15 mm, length 2 m, material steel. galv. zinc-plated and dichromated
98.380.0000.0	Mounting rail TS 35x15-2,3 UNPERF CU - l:2000mm	Mounting rail TS 35, unslotted, size 15 mm, length 2 m, material E copper
Z5.522.7453.0	End bracket 9708 / S35	End clamp for mounting rail TS 35
Z5.522.8553.0	End bracket 9708 / 2 S 35	End clamp for mounting rail TS 35
Z5.523.5653.0	End bracket WE 2/U	End clamp for mounting rail TS 35 and TS 32
Z5.523.5753.0	End bracket WE 1/U	End clamp for mounting rail TS 35 and TS 32
Z5.523.9353.0	End bracket WEF 1/35	End clamp, schraubelos for mounting rail TS 35

Z5.553.2921.0	Test plug ST 2 / 2.3 ROT	Test plug 2,3 mm color red
Z7.261.1227.0	Jumper bar IVBWK 4 - 2	Cross connector, insulated for DIN rail terminal blocks type WKF..., 2 -pole
Z7.261.1327.0	Jumper bar IVBWK 4 - 3	Cross connector, insulated for DIN rail terminal blocks type WKF..., 3 -pole
Z7.261.1427.0	Jumper bar IVBWK 4 - 4	Cross connector, insulated for DIN rail terminal blocks type WKF..., 4 -pole
Z7.261.1527.0	Jumper bar IVBWK 4 - 5	Cross connector, insulated for DIN rail terminal blocks type WKF..., 5 -pole
Z7.261.1627.0	Jumper bar IVBWK 4 - 6	Cross connector, insulated for DIN rail terminal blocks type WKF..., 6 -pole
Z7.261.1727.0	Jumper bar IVBWK 4 - 7	Cross connector, insulated for DIN rail terminal blocks type WKF..., 7 -pole
Z7.261.1827.0	Jumper bar IVBWK 4 - 8	Cross connector, insulated for DIN rail terminal blocks type WKF..., 8 -pole
Z7.261.1927.0	Jumper bar IVBWK 4 - 9	Cross connector, insulated for DIN rail terminal blocks type WKF..., 9 -pole
Z7.261.2027.0	Jumper bar IVBWK 4 - 10	Cross connector, insulated for DIN rail terminal blocks type WKF..., 10 -pole

Drawings

001 60715-35x15-01-002 4000000000 4000000000 4000000000

ISO
M1:1

Hutschiene EM60715-35x7.5
mounting rail EM60715-35x7.5

Hutschiene EM60715-35x15
mounting rail EM60715-35x15

Teile-Nr. part no.	Farbe colour	Typ type
56.704.7555.5	rot red	WKFN 4 E/35/.. R0
56.704.7555.9	orange orange	WKFN 4 E/35/.. OR

Schaltbild
circuit diagram

Weitere Daten siehe Katalog
further data see catalog

Zustand		Änderung	
Datum	Ursache	Datum	Ursache

Wieland
Industrie-
elektronik

ETAGENKLEBWE
Kontakt-Feder-Steckverbinder
dock le deck terminal with spring clamp connection

56.704.7555.5 01K