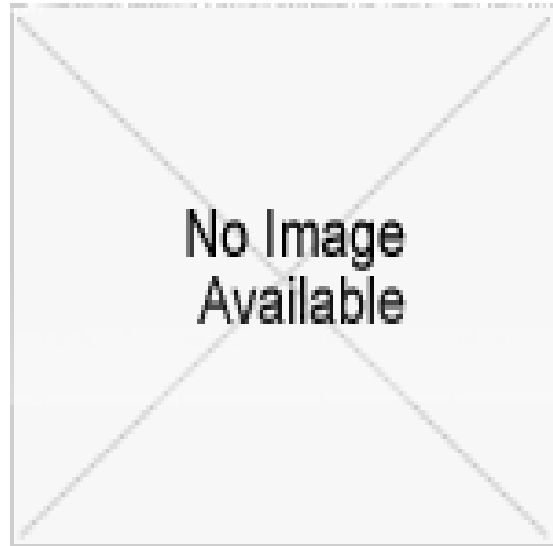


Datasheet

Art.No. Z7.427.8253.0

Cover BAS AD DB 16

Protective cover without locking levers, with gasket size 16



Art.No.	Z7.427.8253.0
EAN	4015573770638
Order unit	10 pieces

Approvals

Technical data

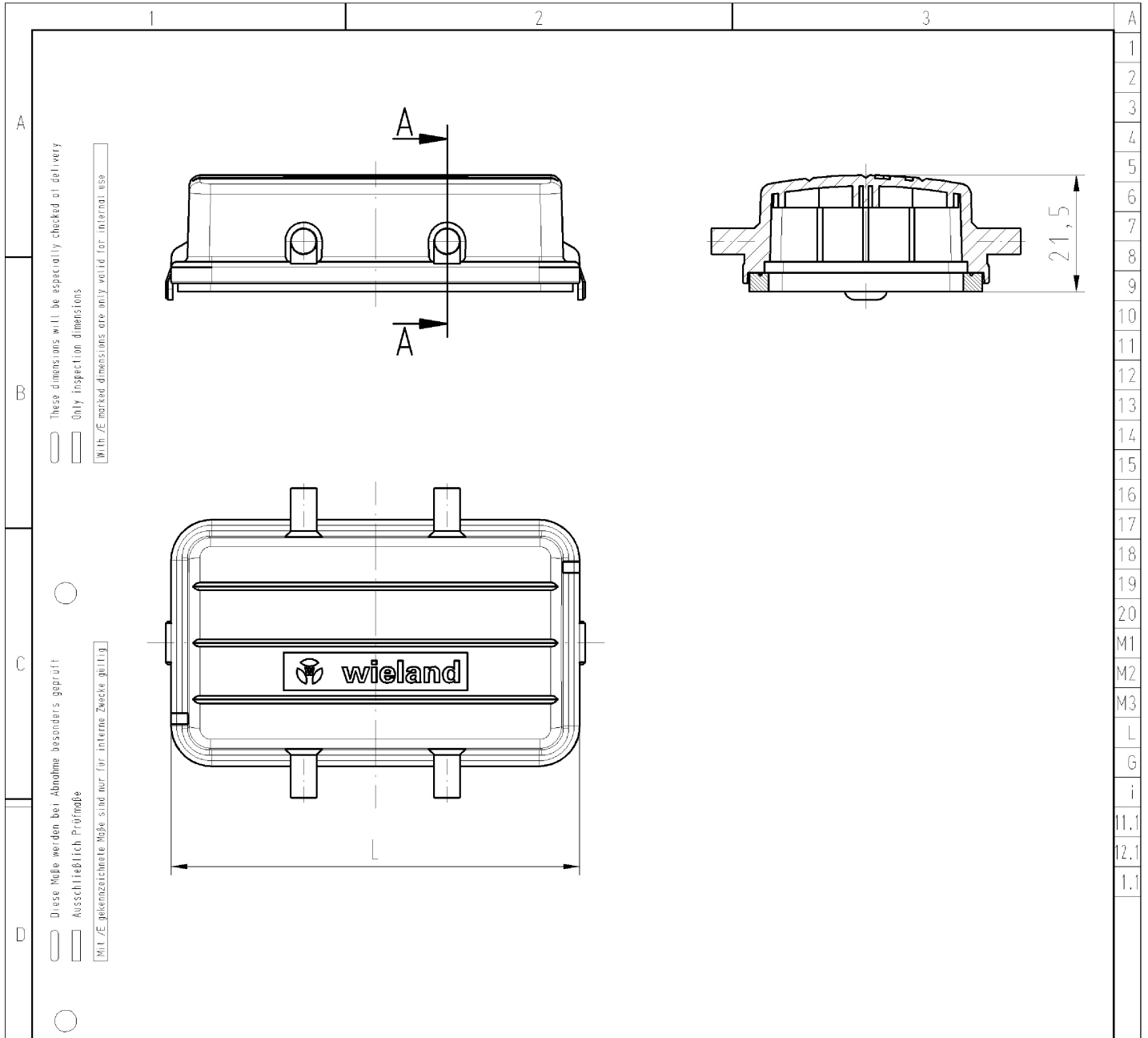
General

Degree of protection (IP)	IP65
Inflammability class of insulation material acc. with UL94	V0
Housing material	Plastic
Surface	Untreated
Colour	Grey
Operating temperature range min.	-40 °C
Operating temperature range max.	120 °C

Model

DIN-size	16
Interlock	No
Locking mechanism	None
Material locking lever	None
Cover attachment clamping	No
With sealing	Yes
With tether cord	No
With loop	No
With ring lug	No

Drawings



Teile - Nr.	L	Größe
part - no.		size
Z7.427.8153.0	75,5	10
Z7.427.8253.0	96,0	16
Z7.427.8353.0	122,5	24

frei von lackbenetzungsstörenden Substanzen / free from substances which inhibit paint adhesion

Tolerierung nach DIN 7167/Tolerance system acc. to DIN 7167. (This DIN-standard describes the envelope principle. According to the envelope principle the deviations of form and parallelism are limited by the size tolerances).

ja/yes Stoffverbots- und Deklarationsliste nach UU-TQM-05/03 ist einzuhalten. Conformity with Wieland document UU-TQM-05/03 (List of prohibited / declarable hazardous substances) to be declared!

Freitoleranz nach General tolerance CAD - Zeichnung, keine manuellen Änderungen CAD - drawing, no manual modifications allowed 1. Verwendung: First Use: Blatt: 1 von 1 Sheet: 1 of 1

Werkstoff/Material	2008 Tag/Date	Name	Zeichnung Nr./Drawing No.	Index
	gezeichnet draw 18.03.	Treschan	T Z7.427.8153.0 01K	Page: 3 of 3
	geprüft checked	-		
	Normgepr. Stand, check	-		

Maße in mm/Dimensions are in mm

1 2 3 4 5 6 7 8 9 10 11 12 13 14 15 16 17 18 19 20 M1 M2 M3 L G i 11.1 12.1 1.1

2010/04 trechan 2008-03-18T11:11:08 1.000