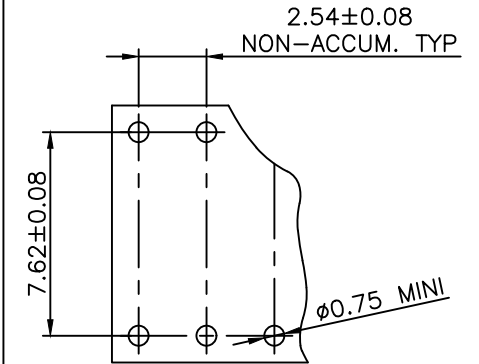


PRODUCT NUMBER
89883-YXXXLF

- RoHS COMPATIBLE, SEE NOTE 5
- OPTIONAL LETTER:
(AS AVAILABLE)
- H: HIGH TEMPERATURE PRODUCT
- NUMBER OF POSITIONS PER ROW: 02 TO 65
- PLATING CODE:
(AS AVAILABLE)
- 3= 0.76µm GOLD ON CONTACT AREA
2µm MIN MATTE TIN ON TAIL
- 4= 2µm MIN MATTE TIN FULL PLATED
- 7= 1.27µm GOLD ON CONTACT AREA
2µm MIN MATTE TIN ON TAIL
1.27µm Ni MIN UNDERPLATING

EXTENDED RANGE

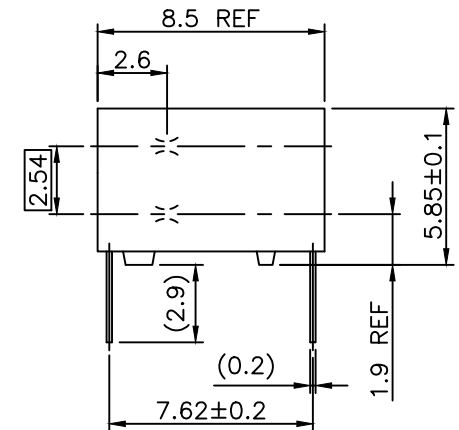
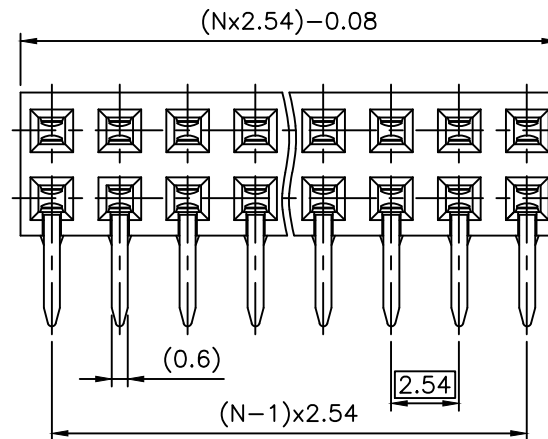
- TOOLING FEASIBILITY CONFIRMED
- SAMPLES ON DEMAND
- AVAILABILITY ON DEMAND



RECOMMENDED HOLE PATTERN

NOTES:

- 1 - HOUSING MATERIAL: THERMOPLASTIC GLASS FILLED FLAME RETARDANT PER UL 94 V-0.
LOW TEMPERATURE: COLOR BLUE.
HIGH TEMPERATURE: COLOR GREY.
- 2 - TERMINAL MATERIAL: PHOSPHOR BRONZE.
- 3 - 2 UP TO 4 POSITIONS PRODUCT PACKED IN PLASTIC BOX.
5 UP TO 65 POSITIONS PRODUCT PACKED IN TUBE.
- 4 - TO DETERMINE DIMENSIONS:
N = NUMBER OF POSITIONS PER ROW
EXAMPLE: 8 POS: (N×2.54)-0.08=20.24 mm.
- 5 - RoHS COMPATIBLE PRODUCT SPECIFICATIONS
 - a - PLATING:
 - "LF" MEANS THE PRODUCT IS LEAD-FREE, 2µm MINIMUM MATTE TIN OVER 1.27µm MINIMUM NICKEL UNDERPLATE.
 - b - MANUFACTURING PROCESS COMPATIBILITY
 - THE HOUSING WILL WITHSTAND EXPOSURE TO 260°C ±5°C SOLDER BATH TEMPERATURE FOR 5 SECONDS IN A WAVE SOLDER APPLICATION WITH A 1.6mm MIN THICK CIRCUIT BOARD.
 - c - LABELING:
 - MEETS PACKAGING SPECS AS PER GS-14-920
 - d - LEGAL STATEMENT: SEE GS-47-0004
- 6 - THIS PART SERIES IS NOT INITIALLY INTENDED FOR AUTOMOTIVE APPLICATIONS. ADDITIONAL FEES ARE CHARGEABLE FOR ANY ADDITIONAL QUALIFICATION AND TEST REPORTS PERFORMED OUTSIDE THE SCOPE OF THE STANDARD PRODUCT SPECIFICATIONS.
- 7 - UNLESS OTHERWISE APPROVED BY AMPHENOL, ALL PARTS AND COMPONENTS ARE DESIGNED & BUILT ACCORDING TO AMPHENOL'S SPECIFICATIONS WHICH ARE SUBJECT TO CHANGE WITHOUT NOTICE.



mat'l. code SEE NOTES				surface ISO 1302 ✓		tolerance ISO 406 ISO 1101		projection mm		product family DUBOX		
ltr	ecn no	dr	date	tolerances unless otherwise specified		±0.3		mm		title BtB RECEPT. HORIZ DR TMT		
K	F-47149	LMU	23.01.31	angles	linear			scale 5:1		dwg no 89883		
L	F-54524	DDE	25.02.06	±2'						sheet 1 of 1 size A3		
F	F10110	GCO	01.01.16	dr	D.LEGRAND	04.09.28					type CUSTOMER Drawing	
G	F04-0347	DLE	04.09.28	engr	P.NIZZI	04.09.28						
H	F06-0204	DLE	06.06.21	chr	D.LEGRAND	04.09.28						
J	B-19123	LMU	14.10.21	appd	P.NIZZI	04.09.28						
sheet index	revision sheet											