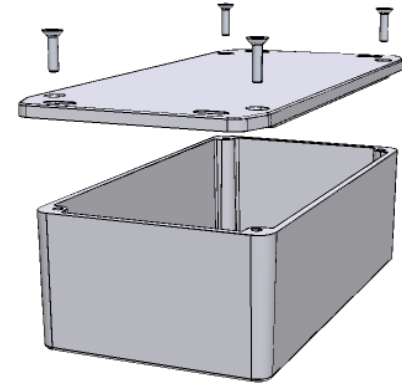
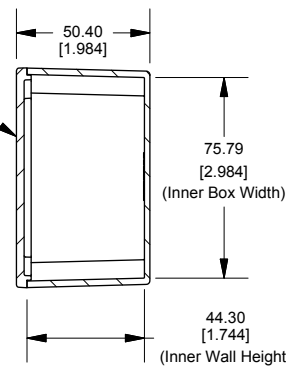
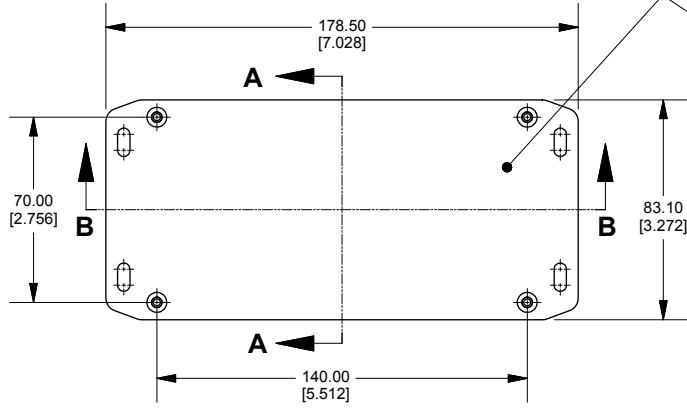


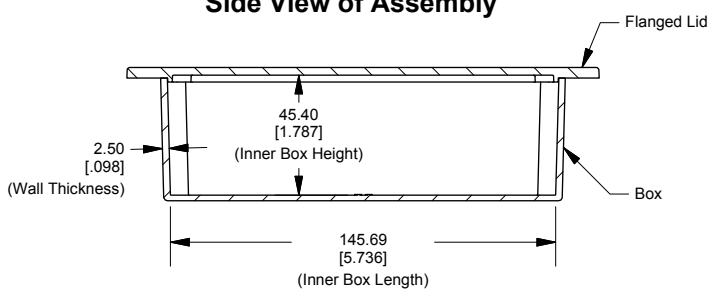
**Top View of Assembly**

**SECTION A-A  
End View of Assembly**

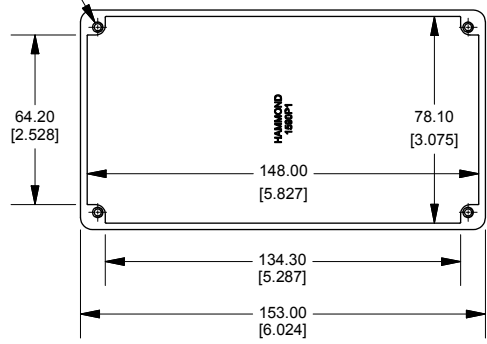


**SECTION B-B  
Side View of Assembly**

**Top View Looking Inside Box**



6-32 UNC  
□  $\varnothing 3.90 \nabla 2.70$   
(Threaded Holes)



Enclosures can be Factory Modified ( Milling, Drilling, Printing etc.)  
Contact Factory [mjm@hammondmfg.com](mailto:mjm@hammondmfg.com) for quotes  
Solid models of this enclosure available in STEP or IGES.

**NOTE**

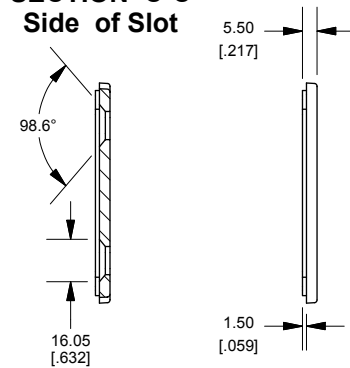
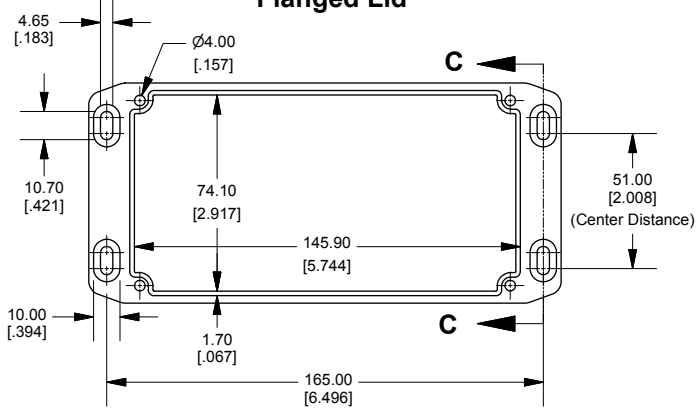
Purchased assembly includes box, lid and 4 cover screws.  
Box and lid are made from Diecast Aluminum Alloy.  
Silicone Gasket supplied with liquid resistant enclosure.

**PART NUMBERS**

<b>1590P1FL Enclosure</b>	
Natural Finish Enclosure	1590P1FL
Black Textured Enclosure	1590P1FLBK
<b>1590P1FL Liquid Resistant Enclosure (Silicone Gasket)</b>	
Natural Finish Enclosure	1590WP1FL
Black Textured Enclosure	1590WP1FLBK
<b>ACCESSORIES</b>	
<b>Recommended Torque: 75 ozf.in / 55 cN.m</b>	
<b>Liquid Resistant Cover Screws</b>	
Stainless Steel Cover Screws (Pkg 100) [6-32 x 1/2" With O-Ring]	1590WMS100
Black Stainless Steel Cover Screws (Pkg 100) [6-32 x 1/2" With O-Ring]	1590WMS100BK
<b>Standard Cover Screws</b>	
Plated Cover Screws (Pkg 100) [6-32 x 1/2"]	1590MS100
Black Cover Screws (Pkg 100) [6-32 x 1/2"]	1590MS100BK

**Flanged Lid**

**SECTION C-C  
Side of Slot**



Dimensions:  
mm  
[inches]