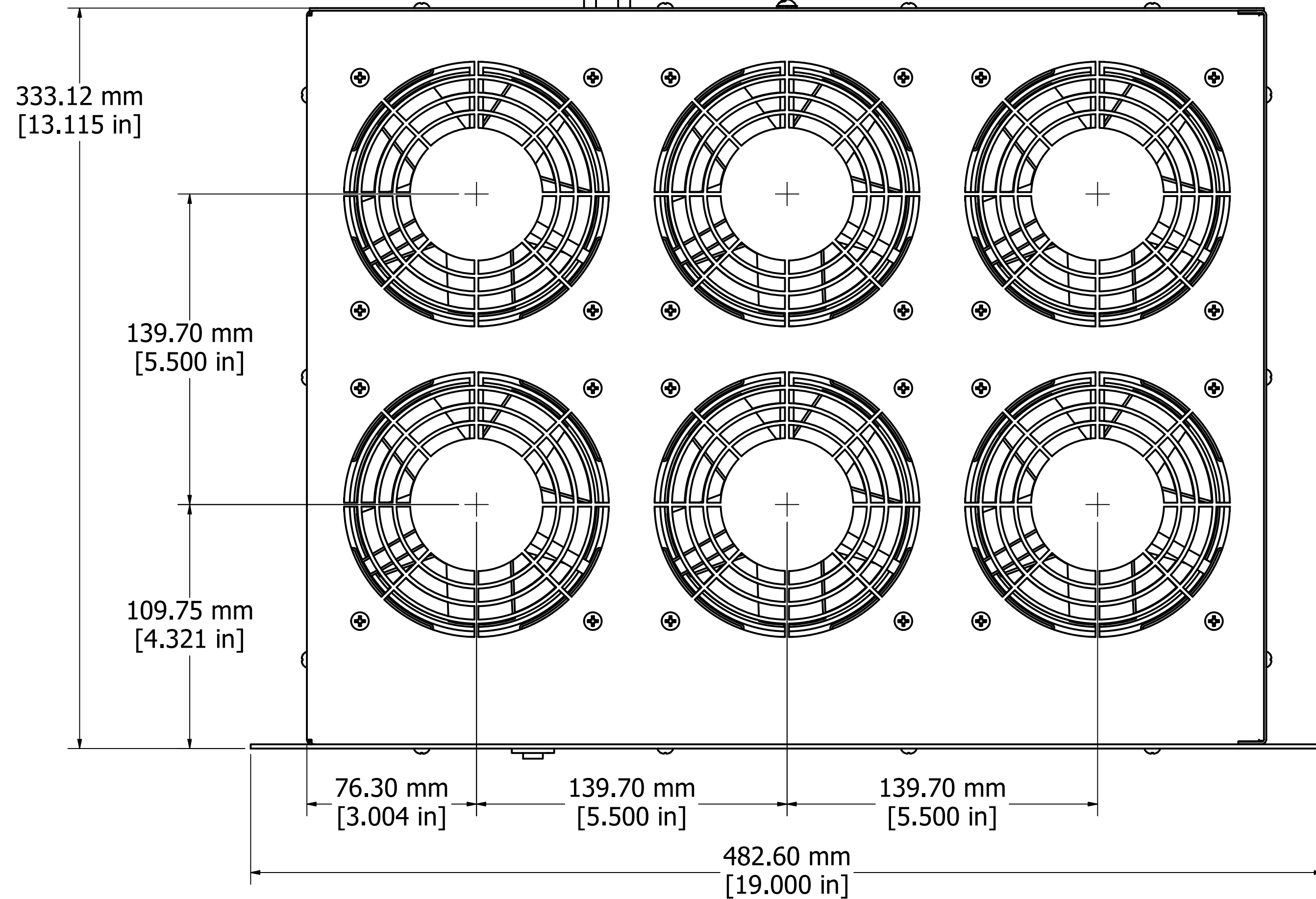
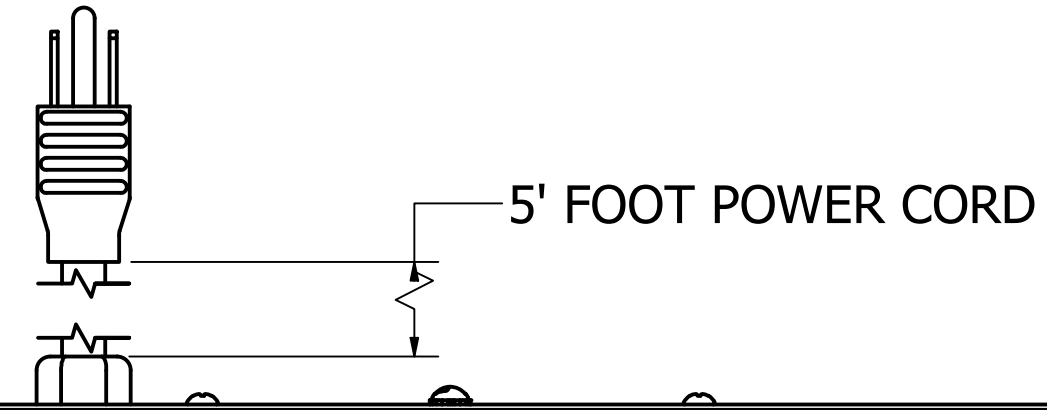
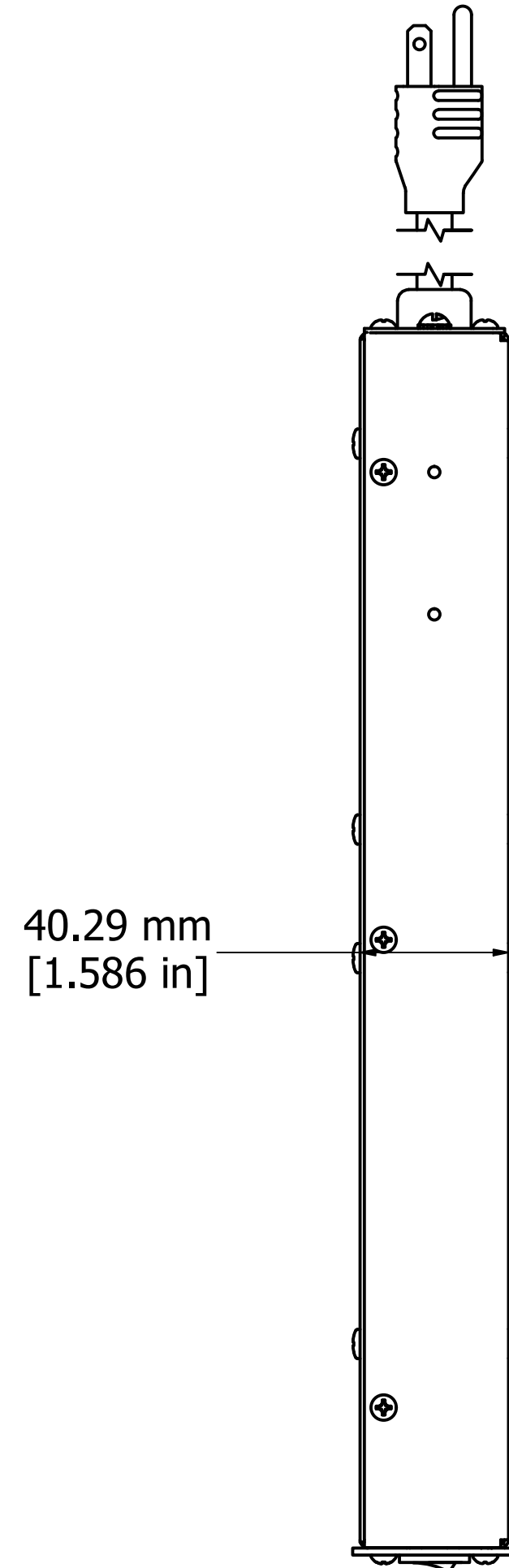


125V POWER CORD
(NEMA 5-15P PLUG)

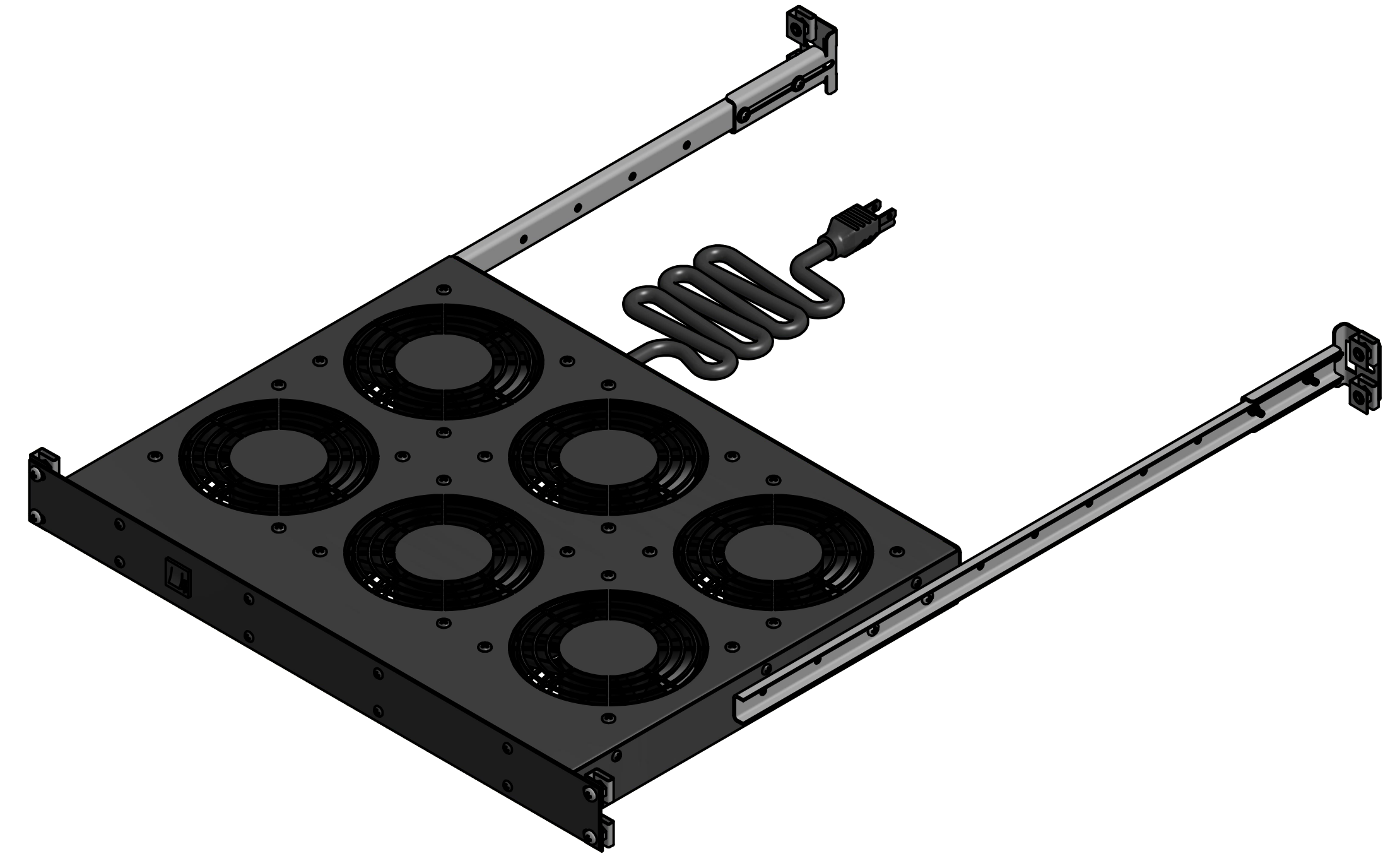
ASSEMBLY - VIEW FROM BACK



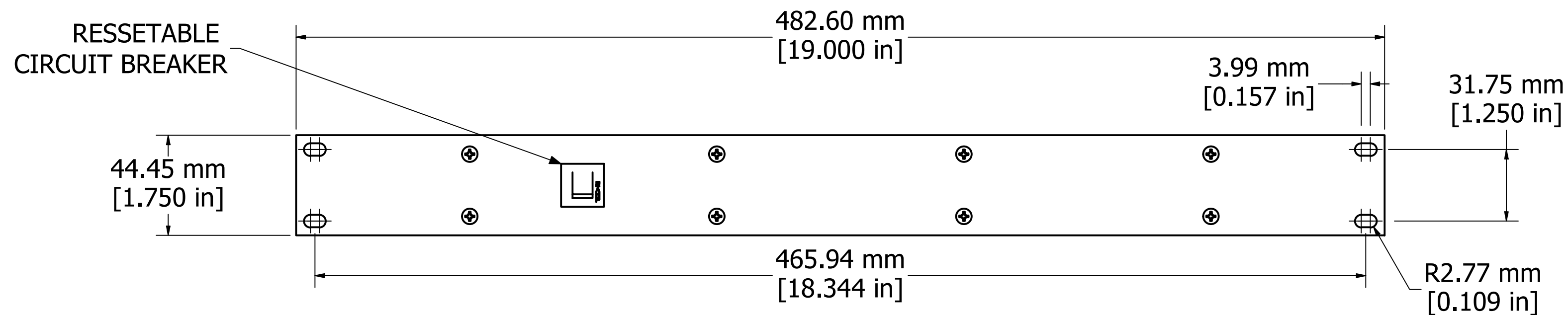
ASSEMBLY - VIEW FROM TOP



ASSEMBLY - VIEW FROM SIDE

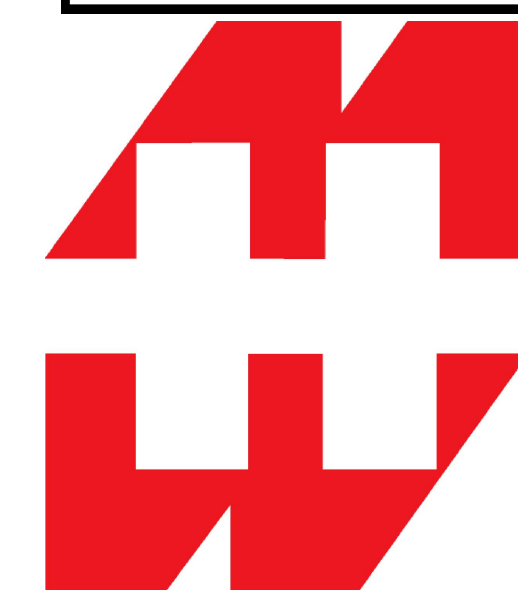


ASSEMBLY W/ EXTENSION BRACKETS



ASSEMBLY - VIEW FROM FRONT

FT600TA1BK
Finish - Black Textured Powder Paint
Rated - 115 VAC, 60 Hz, 3 Amps
Free Flow Air Delivery - 600 CFM
Approvals - cURus Recognized UL507 and CSA C22.2 No.113
ACCESSORIES INCLUDED
Mounting Instructions
Rear Mount Brackets & Hardware
Extension Brackets & Hardware



**HAMMOND
MANUFACTURING™**

FT600TA1BK

www.hammondmfg.com