

IN-LINE LANDSCAPE, TYPE 4X



INDUSTRY STANDARDS

UL 508A Listed; Type 4, 4X, 12; File Number E61997
 cUL Listed per CSA C22.2 No 94; Type 4, 4X, 12; File Number E61997

NEMA/EEMAC Type 4, 4X, 12
 CSA File Number 42186: Type 4, 4X, 12
 IEC 60529, IP66

APPLICATION

When applications require mounting electrical components the full width of the enclosure, the landscape orientation of this aesthetic IN-LINE Enclosure makes this possible. The full-width mounting brackets can be drilled anywhere along their length, providing maximum mounting flexibility.

SPECIFICATIONS

- 14 gauge Type 304 stainless steel body; 16 gauge Type 304 stainless steel door
- Seams continuously welded and ground smooth
- External formed body flange trough
- Large perimeter body opening
- Mounting brackets are spot-welded to top and bottom of enclosure

- Mounting brackets have predrilled mounting holes; customer-specific location holes can be drilled for mounting flexibility
- Seamless foam-in-place gasket
- M6 ground stud with base flange on body; M6 bonding provision with base flange on door
- Furnished hardware kit includes panel mounting screws and grounding hardware
- Hinged door with removable hinge pins and self-grounding quarter-turn latch system with double seal
- Door opens 180 degrees
- Window door models include 3/16-in. (4.8-mm) clear polycarbonate window mounted flush with door surface

FINISH

Type 304 stainless steel with #4 brushed finish. Back is not brushed.

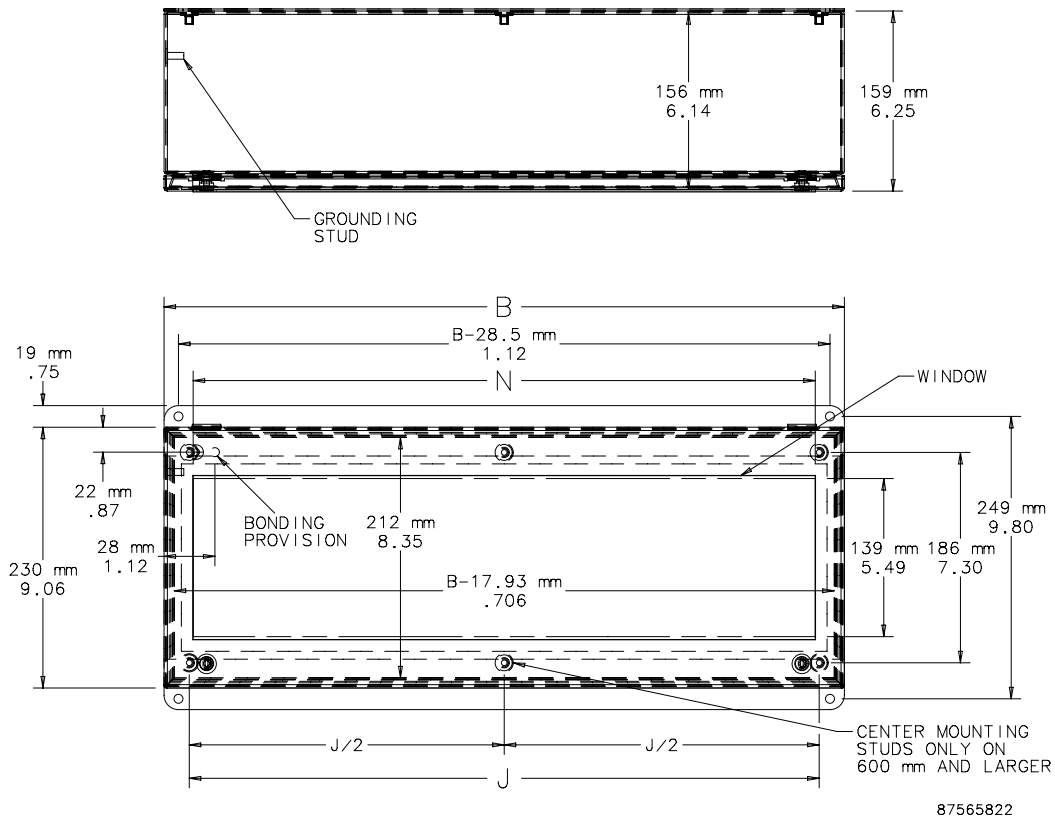
ACCESSORIES

Mounting Bracket Kit
 Lock Inserts
 Wing Knob Latch
 Grounding Kit
 DIN3 Type Rail
 DIN Rail or Panel-Mounting Brackets

BULLETIN: A54S

Standard Product

Catalog Number	AxBxC in./mm	Enclosure B mm/in.	Window N mm/in.	Mtg. Holes H mm/in.	Mtg. Studs J mm/in.	Clear Space Above Panel mm/in.
LHC233116SS	9.06 x 12.20 x 6.10 230 x 310 x 155	310 12.21	— —	281 11.08	265 10.45	140 5.51
LWC233116SS	9.06 x 12.20 x 6.10 230 x 310 x 155	310 12.21	259 10.20	281 11.08	265 10.45	140 5.51
LHC234616SS	9.06 x 18.11 x 6.10 230 x 460 x 155	460 18.11	— —	431 16.99	416 16.36	140 5.51
LWC234616SS	9.06 x 18.11 x 6.10 230 x 460 x 155	460 18.11	409 16.11	431 16.99	416 16.36	140 5.51
LHC236016SS	9.06 x 23.62 x 6.10 230 x 600 x 155	600 23.62	— —	571 22.50	556 21.88	140 5.51
LWC236016SS	9.06 x 23.62 x 6.10 230 x 600 x 155	600 23.62	549 21.62	571 22.50	556 21.88	140 5.51
LHC237716SS	9.06 x 30.31 x 6.10 230 x 770 x 155	770 30.32	— —	741 29.19	726 28.57	140 5.51
LWC237716SS	9.06 x 30.31 x 6.10 230 x 770 x 155	770 30.32	719 28.31	741 29.19	726 28.57	140 5.51
LHC239316SS	9.06 x 36.61 x 6.10 230 x 930 x 155	925 36.42	— —	896 35.29	881 34.67	140 5.51
LWC239316SS	9.06 x 36.61 x 6.10 230 x 930 x 155	925 36.42	874 34.42	896 35.29	881 34.67	140 5.51

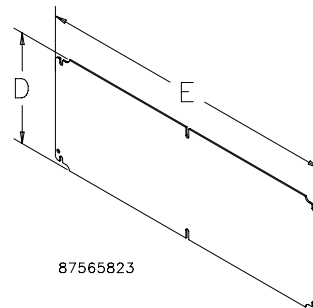


INLINE LANDSCAPE PANELS

Panels are 12 gauge steel with a white polyester powder paint or conductive finish. They include a labeled ground hole sized for an M6 screw. Panels mount on studs provided in the enclosure or to optional DIN mounting brackets.

BULLETIN: A54P

Catalog Number	Conductive Panel	Panel Size D x E (mm)	Panel Size D x E (in.)
LP2331	LP2331G	211 x 291	8.31 x 11.46
LP2346	LP2346G	211 x 441	8.31 x 17.36
LP2360	LP2360G	211 x 581	8.31 x 22.87
LP2377	LP2377G	211 x 751	8.31 x 29.57
LP2393	LP2393G	211 x 906	8.31 x 35.67



OPTIONAL COMPONENTS SELECTION GUIDE

Use the table to assist with selection of the optional components for the appropriate IN-LINE enclosure.

BULLETIN: A54S

Catalog Number	AxBxC in.	AxBxC mm	Solid or Window Cover Enclosure	Panel	Conductive	DIN Rail	DIN Rail or Panel Mounting Bracket
LHC233116SS	9.06 x 12.20 x 6.10	230 x 310 x 155	Solid Cover	LP2331	LP2331G	LDR3P31	LMK23
LWC233116SS	9.06 x 12.20 x 6.10	230 x 310 x 155	Window Cover	LP2331	LP2331G	LDR3P31	LMK23
LHC234616SS	9.06 x 18.11 x 6.10	230 x 460 x 155	Solid Cover	LP2346	LP2346G	LDR3P46	LMK23
LWC234616SS	9.06 x 18.11 x 6.10	230 x 460 x 155	Window Cover	LP2346	LP2346G	LDR3P46	LMK23
LHC236016SS	9.06 x 23.62 x 6.10	230 x 600 x 155	Solid Cover	LP2360	LP2360G	LDR3P60	LMK23
LWC236016SS	9.06 x 23.62 x 6.10	230 x 600 x 155	Window Cover	LP2360	LP2360G	LDR3P60	LMK23
LHC237716SS	9.06 x 30.31 x 6.10	230 x 770 x 155	Solid Cover	LP2377	LP2377G	LDR3P77	LMK23
LWC237716SS	9.06 x 30.31 x 6.10	230 x 770 x 155	Window Cover	LP2377	LP2377G	LDR3P77	LMK23
LHC239316SS	9.06 x 36.61 x 6.10	230 x 930 x 155	Solid Cover	LP2393	LP2393G	LDR3P93	LMK23
LWC239316SS	9.06 x 36.61 x 6.10	230 x 930 x 155	Window Cover	LP2393	LP2393G	LDR3P93	LMK23

600-mm and longer enclosures require two sets of brackets for mounting panels.