

SMT Coin Cell Holder

Battery Retainer for Ø12mm Coin Cell

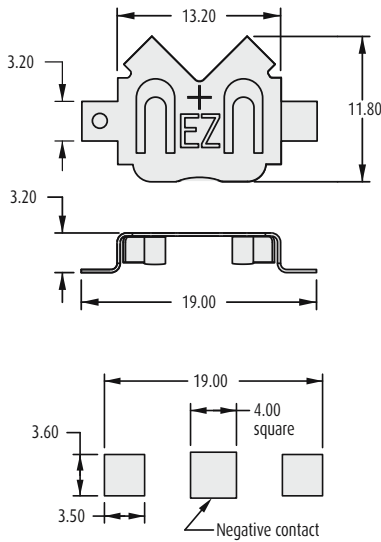
- ❖ Tape & reel packaged for auto-placement to PCB.
- ❖ Highly effective retention of coin cell batteries.
- ❖ Eliminates the need for soldered-in coin cells.
- ❖ Low profile design available with dual independent contact points for enhanced electrical reliability.
- ❖ Accommodates CR1220, CR1225 and similar coin cell batteries.



LOW PROFILE

❖ Packaging

Format: Tape & Reel
 Reel quantity: 1,000 on a Ø330mm reel
 Suitable for battery size: BR1225, CR1216, CR1220, CR1225

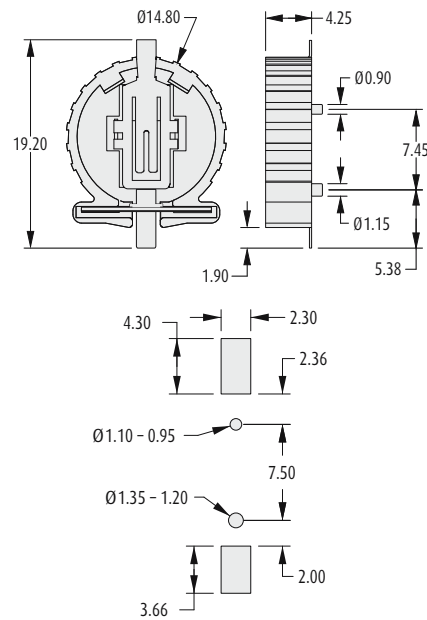


Recommended PC Board Pattern

STANDARD

❖ Packaging

Format: Tape & Reel
 Reel quantity: 500 on a Ø330mm reel
 Suitable for battery size: CR1220



Recommended PC Board Pattern

HOW TO ORDER

S8 XX1 - XX R

SERIES CODE

PACKAGING

R Tape & Reeled

TYPE

201	Low Profile
411	Standard

FINISH

45	Gold (S8411)	PG
46	Tin (S8201)	PG

All dimensions in mm.