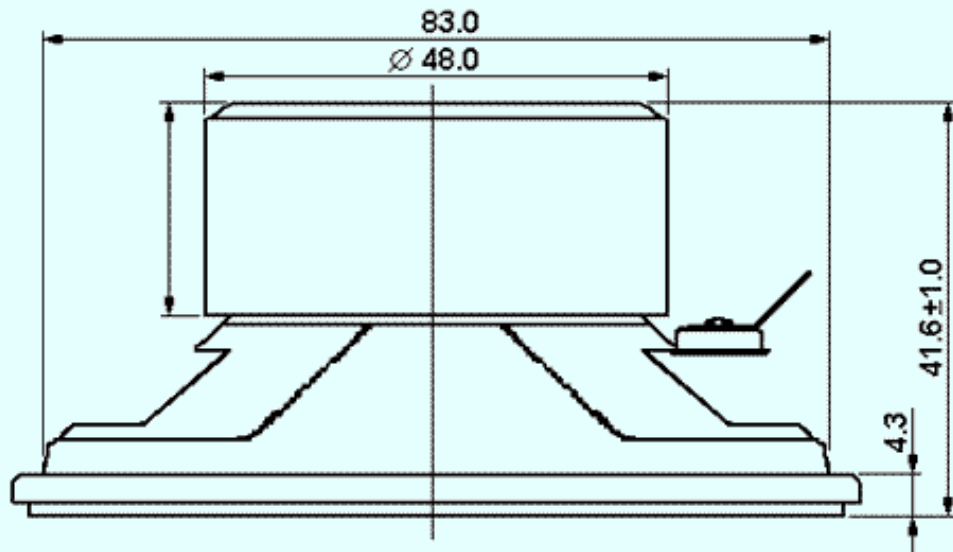
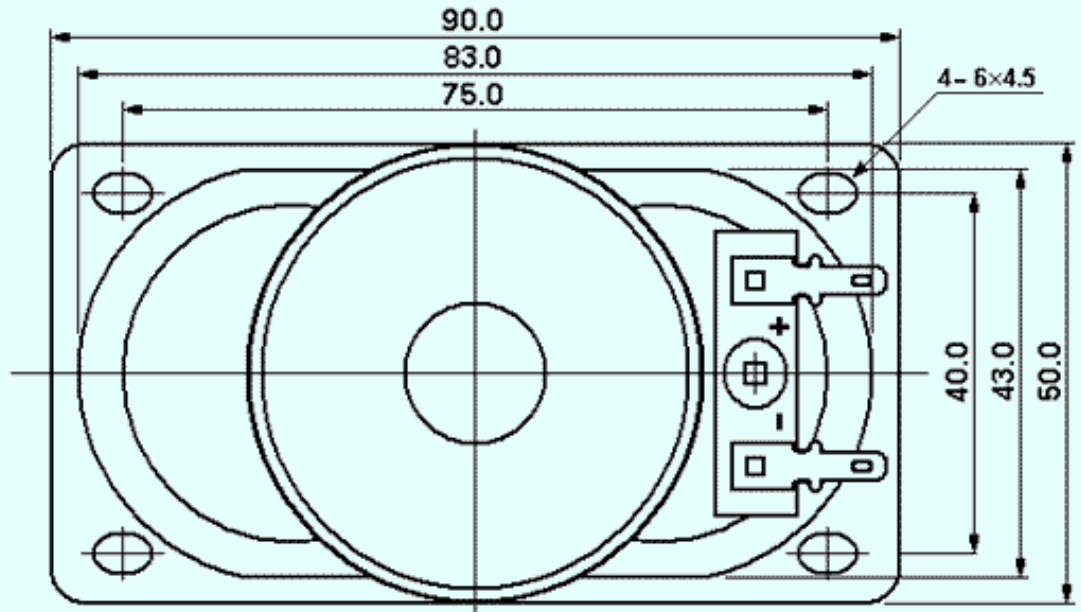


COMMENTS:

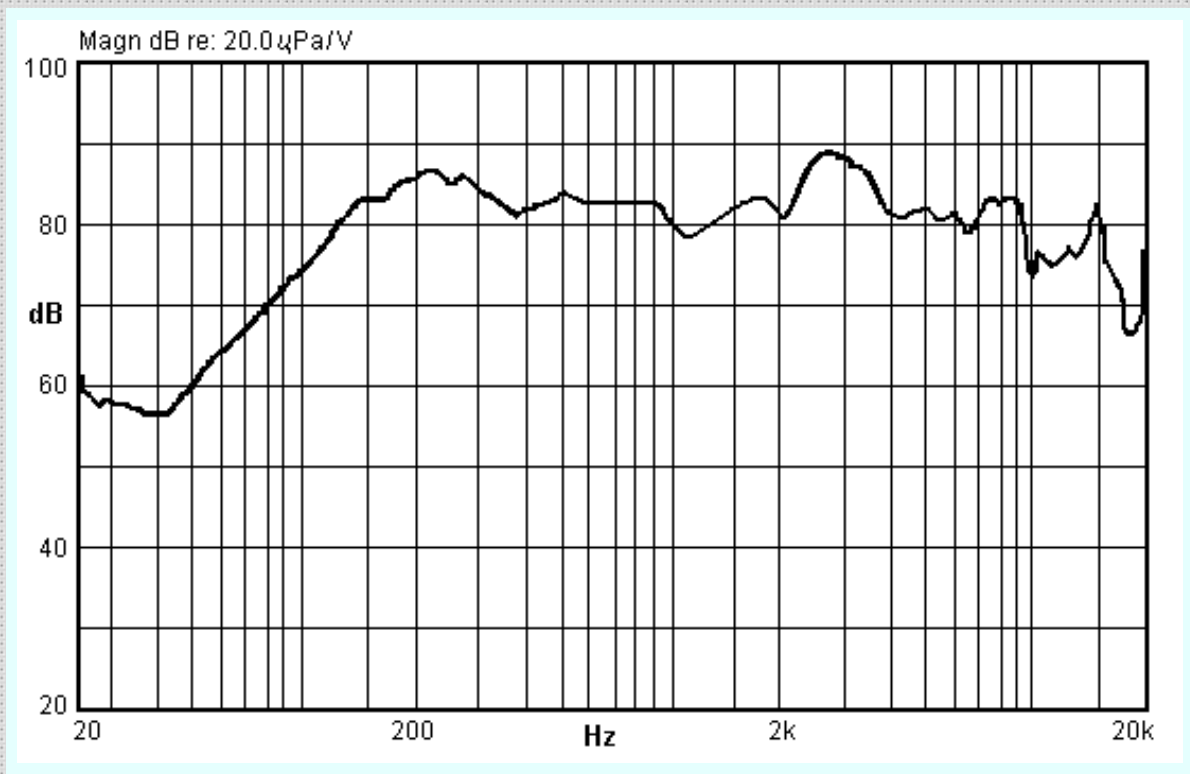
*Speaker MUST meet normal operation and Buzz & Rattles specifications.

These speakers are available, on a special order basis, in a variety of voice coil impedances. The most common impedances are 4, 16, 32, 45, and 100 Ohms.

DIMENSIONS:



FREQUENCY RESPONSE:



International Component Corporation
175 Marcus Blvd. Hauppauge New York, 11788