



Automotive Parts > Automotive Connector Accessories > Automotive Connector Caps & Covers > Plug Protective Caps - DEUTSCH HD30



Protection & Strain Relief Accessory Type: **Cover Assembly**

Primary Product Material: **Aluminum**

Strain Relief: **Without**

[All Plug Protective Caps - DEUTSCH HD30 \(4\)](#)

Features

Product Type Features

Sealable	No
Protection & Strain Relief Accessory Type	Cover Assembly

Body Features

Primary Product Material	Aluminum
--------------------------	----------

Mechanical Attachment

Strain Relief	Without
---------------	---------

Usage Conditions

Compatible With Connector Style	Plug
---------------------------------	------

Industry Standards

IP Rating	IP67, IP6K9K
-----------	--------------

Packaging Features

Packaging Method	Box
------------------	-----

Other

Serviceable	Yes
-------------	-----



Product Compliance

[For compliance documentation, visit the product page on TE.com>](#)

EU RoHS Directive 2011/65/EU	Compliant
EU ELV Directive 2000/53/EC	Out of Scope
China RoHS 2 Directive MIIT Order No 32, 2016	No Restricted Materials Above Threshold
EU REACH Regulation (EC) No. 1907/2006	Current ECHA Candidate List: JAN 2025 (247) Candidate List Declared Against: JAN 2025 (247) Does not contain REACH SVHC
Halogen Content	Low Halogen - Br, Cl, F, I < 900 ppm per homogenous material. Also BFR/CFR/PVC Free
Solder Process Capability	Not reviewed for solder process capability

Product Compliance Disclaimer

This information is provided based on reasonable inquiry of our suppliers and represents our current actual knowledge based on the information they provided. This information is subject to change. The part numbers that TE has identified as EU RoHS compliant have a maximum concentration of 0.1% by weight in homogenous materials for lead, hexavalent chromium, mercury, PBB, PBDE, DBP, BBP, DEHP, DIBP, and 0.01% for cadmium, or qualify for an exemption to these limits as defined in the Annexes of Directive 2011/65/EU (RoHS2). Finished electrical and electronic equipment products will be CE marked as required by Directive 2011/65/EU. Components may not be CE marked. Additionally, the part numbers that TE has identified as EU ELV compliant have a maximum concentration of 0.1% by weight in homogenous materials for lead, hexavalent chromium, and mercury, and 0.01% for cadmium, or qualify for an exemption to these limits as defined in the Annexes of Directive 2000/53/EC (ELV). Regarding the REACH Regulation, the information TE provides on SVHC in articles for this part number is based on the latest European Chemicals Agency (ECHA) 'Guidance on requirements for substances in articles' posted at this URL: <https://echa.europa.eu/guidance-documents/guidance-on-reach>

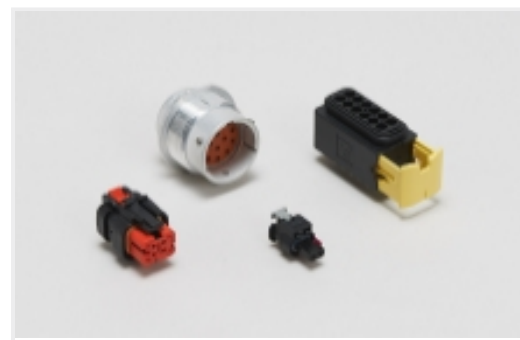
Compatible Parts



Also in the Series | **DEUTSCH HD**



Automotive Connector Caps & Covers (10)

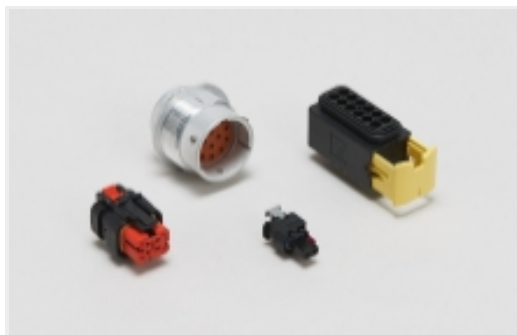


Automotive Housings(453)



Connector Strain Relief(6)

Also in the Series | **DEUTSCH HD30**



Automotive Housings(453)



Automotive Seals & Cavity Plugs(11)

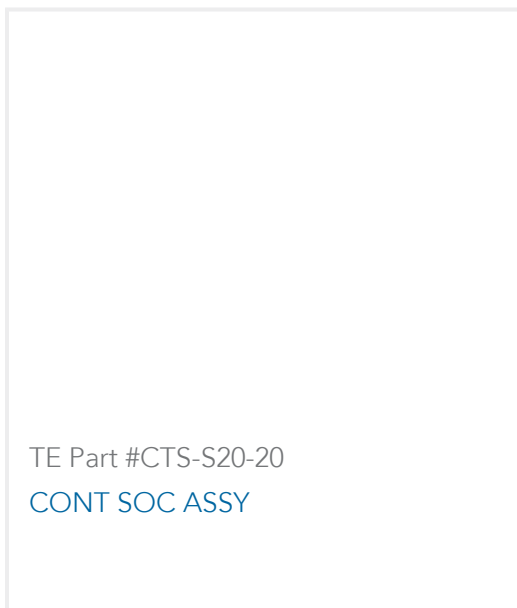


Connector Strain Relief(6)



Other Automotive Connector Accessories(12)

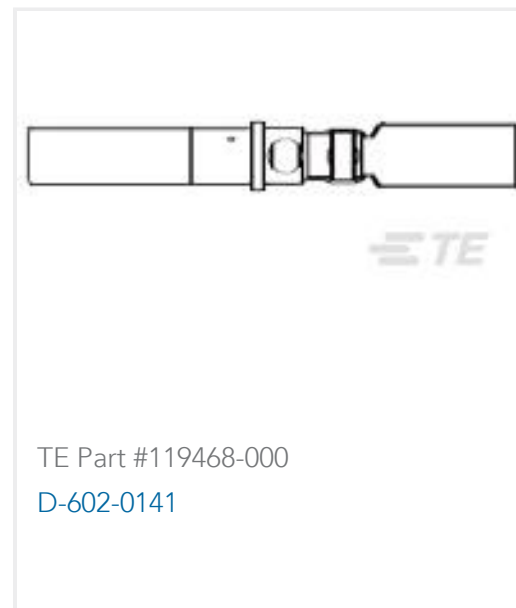
Customers Also Bought



TE Part #CTS-S20-20
CONT SOC ASSY



TE Part #K1152994
Emergency Stop Switch ES-2012-T111



TE Part #119468-000
D-602-0141



TE Part #ER34482001
DWHF-40/13-0-STK



TE Part #F94898-000
S200-2-00



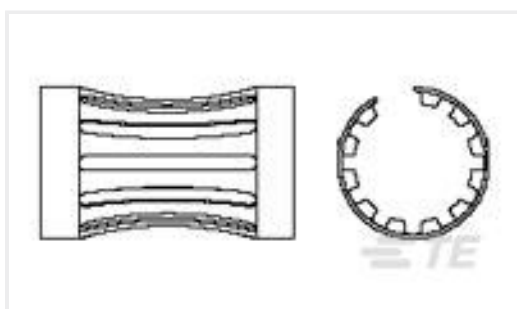
TE Part #DT06-3S-CE02
PLG, 3P, BLK, E



TE Part #1027-017-1200
CLIP, STEEL, ZINC, 8.2MM HOLE, SIDE



TE Part #DT04-3P-CL03
REC, 3P, GRY, E, FLANGE



TE Part #1-192046-6
LAV 0.15mm(006) GOLD



TE Part #2-1617146-9
JMGACDD-26M = M39016/19-036M



Documents

Product Drawings

[DUST CAP, 18SZ, PLG, AL, NO LANYARD,HD30](#)

English

CAD Files

[3D PDF](#)

3D

Customer View Model

[ENG_CVM_CVM_HDC34-18-1E_A.2d_dxf.zip](#)

English

Customer View Model

[ENG_CVM_CVM_HDC34-18-1E_A.3d_igs.zip](#)

English

Customer View Model

[ENG_CVM_CVM_HDC34-18-1E_A.3d_stp.zip](#)

English

By downloading the CAD file I accept and agree to the [Terms and Conditions](#) of use.

Product Specifications

[Application Specification](#)

English