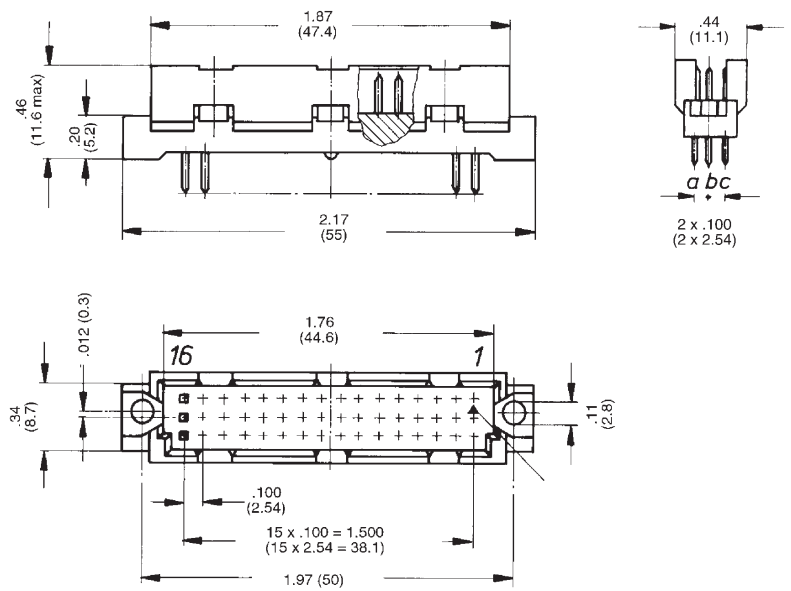
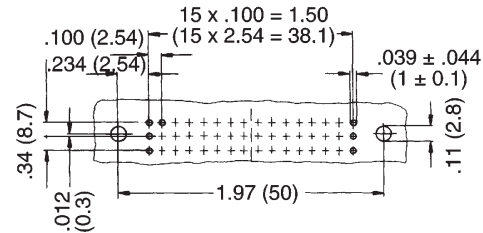


**Type 1/2 R
Series 130**

**48 Contact Inverse Male
Three Row Connectors**



Printed Circuit Layout



Press-Fit Technical Specifications

Compliant Pin	
P.C.B. Thickness	.06 - .13 (1.6 - 3.2 mm)
Finished Hole Size	.037 - .043 (0.94 - 1.09 mm)
Drill Size	.045 ± .0004 (1.15 ^{±0.01} mm)
Copper	100μ" 300μ" (25-76μm)
Tin-Lead	30μ" (6μm min)

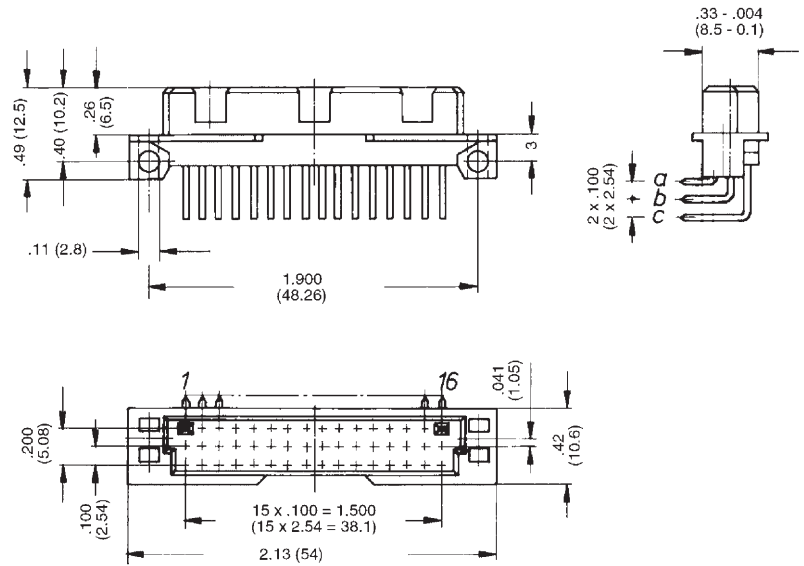
Part Numbers

No. of Contacts	Contact Arrangement	Performance Press-Fit Level	Termination Method		Insertion Die
			Soldering	Press-Fit	
48	Fully Equipped (Rows a + b + c)	2	130-348-133	130-348-332*	200-022-012
		3	130-348-153*	130-348-352	

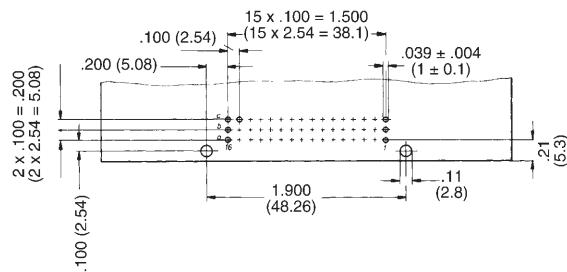
* Contact Factory for Availability

**Type 1/2 R
Series 130**

**48 Contact Inverse Female
Connectors —
Three Row**



Printed Circuit Layout



Part Numbers

No. of Contacts	Contact Arrangement	Performance Level	Termination Methods
48	Fully Equipped (Rows a + b + c)	2	130-348-533
		3	130-348-553*

* Contact Factory for Availability