

TI2

TI2

Panel cut-out (mm)	Ø 16.2 or Ø 22.5
Characteristics	<ul style="list-style-type: none"> ■ illuminated ■ sealed IP40, IP65 or IP67 ■ wide range of bezels ■ midget grooved lamp/LED
Rating	max. 60 VAC / VDC
Dimensions (mm)	18 × 24 18 × 18 Ø 18 Ø 25
Actuator	■ lenses in different shapes and colors
Approvals	UL, CSA, VDE

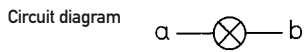


Popular products

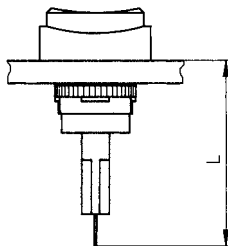
Ordering Reference	Panel cut-out (mm)	Function	Actuator style (mm)	Environmental Protection
TI21VAAF4CN	Ø 16.2	Visual	18 × 24	IP40
TI22VFAF4CN	Ø 22.5	Visual	Ø 25	IP65

Specifications

Mounting	Central fixing with metal lock nut
Protection	IP40, IP65, IP67
Bezel material	Thermoplastic or anodized aluminum alloy
Lens material	Polycarbonate - engravable
Illumination	T1 ¾ midget grooved lamps - incandescent lamps , LEDs, multi LEDs 60 V, 1.2 W maximum Lamp contact a = anode (+), b = cathode (-) Appropriate safety regulations should be respected when using the indicator light.
Temperature range °C	-25°C to +85°C
Terminals	Solder – suitable for wire diameter 1 × 1.00 mm ² (braided), 2 × 0.75 mm (stranded) Faston – 2.8 mm × 0.5 mm
Vibration resistance	1.5 mm pp amplitude at 55 Hz

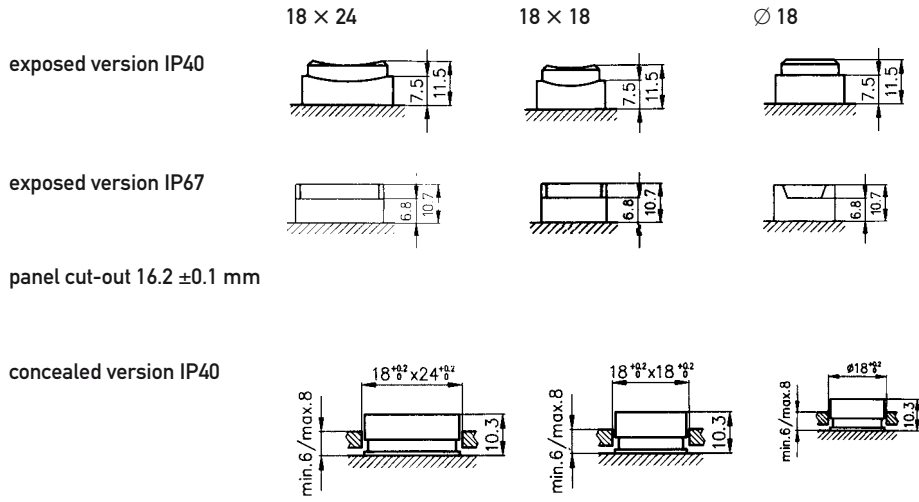


Dimensions

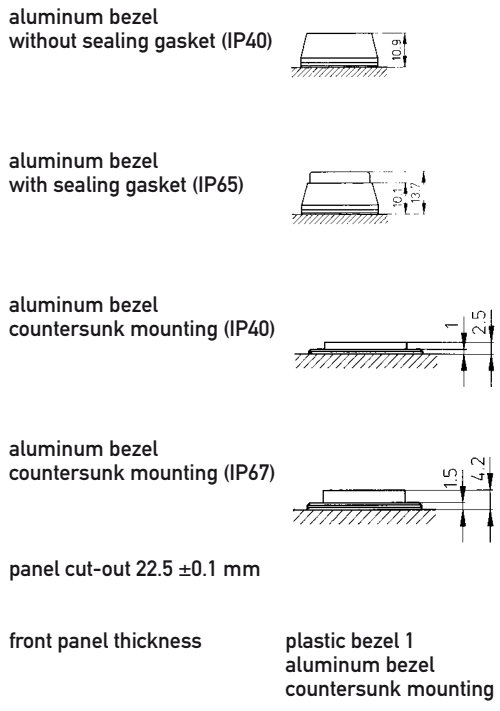


Length in mm	
plastic bezels	38 mm
countersunk mounting bezels	40 mm
aluminum bezels	48 mm
countersunk mounting	

Plastic bezel and lens heights in mm (switch off position)



Dimensions Aluminum bezel ∅ 25, Lens heights in mm (switch off position)



Ordering Reference

Basic type	TI2				Example: TI2	1	VAA	F0	A	N
Panel cut-out	1				Ø 16.2 mm					
Switch body	Function	Actuator	Housing (plastic)	Part No.						
VAA	Visual	18 × 24 mm	Exposed; IP40; faston	TH551008000						
VAL	Visual	18 × 24 mm	Exposed; IP40; solder	TH551108000						
VAD	Visual	18 × 24 mm	Exposed; IP67; faston	TH551015000						
VAO	Visual	18 × 24 mm	Exposed; IP67; solder	TH551115000						
VAB	Visual	18 × 24 mm	Concealed; IP40; faston	TH551002000						
VAM	Visual	18 × 24 mm	Concealed; IP40; solder	TH551102000						
VBA	Visual	18 × 18 mm	Exposed; IP40; faston	TH553008000						
VBL	Visual	18 × 18 mm	Exposed; IP40; solder	TH553108000						
VBC	Visual	18 × 18 mm	Exposed; IP67; faston	TH553015000						
VBN	Visual	18 × 18 mm	Exposed; IP67; solder	TH553115000						
VBB	Visual	18 × 18 mm	Concealed; IP40; faston	TH553002000						
VBM	Visual	18 × 18 mm	Concealed; IP40; solder	TH553102000						
VCA	Visual	Ø 18	Exposed; IP40; faston	TH555008000						
VCL	Visual	Ø 18	Exposed; IP40; solder	TH555108000						
VCC	Visual	Ø 18	Exposed; IP67; faston	TH555015000						
VCN	Visual	Ø 18	Exposed; IP67; solder	TH555115000						
VCB	Visual	Ø 18	Concealed; IP40; faston	TH555002000						
VCM	Visual	Ø 18	Concealed; IP40; solder	TH555102000						
Lens transparent			For body style	For body style	For body style					
F0	White		VAA/VAL (IP40)	VAB/VAM (IP40)	VAD/VAO (IP67)					
F1	Yellow		TH461021000	TH461017000	TH561011000					
F2	Green		TH461121000	TH461117000	TH561111000					
F3	Blue		TH461221000	TH461217000	TH561211000					
F4	Red		TH461321000	TH461317000	TH561311000					
F6	Orange		TH461421000	TH461417000	TH561411000					
			TH461621000	TH461617000	TH561611000					
			For body style	For body style	For body style					
F0	White		VBA/VBL (IP40)	VBB/VBM (IP40)	VBC/VBN (IP67)					
F1	Yellow		TH463021000	TH463018000	TH563011000					
F2	Green		TH463121000	TH463118000	TH563111000					
F3	Blue		TH463221000	TH463218000	TH563211000					
F4	Red		TH463321000	TH463318000	TH563311000					
F6	Orange		TH463421000	TH463418000	TH563411000					
			TH463621000	TH463618000	TH563611000					
			For body style	For body style	For body style					
F0	White		VCA/VCL (IP40)	VCB/VCM (IP40)	VCC/VCN (IP67)					
F1	Yellow		TH465021000	TH465015000	TH565011000					
F2	Green		TH465121000	TH465115000	TH565111000					
F3	Blue		TH465221000	TH465215000	TH565211000					
F4	Red		TH465321000	TH465315000	TH565311000					
F6	Orange		TH465421000	TH465415000	TH565411000					
			TH465621000	TH465615000	TH565611000					
Illumination	A	6V								
	B	12V								
	C	24V								
	F	48V								
Illumination color	N	Incandescent lamp	6V, 200 mA TH590000000	12V, 80 mA TH590001000	24V, 50 mA TH590006000	48V, 25 mA TH590004000				
	1	Yellow LED	6V AC/DC, 45 mA TH590231000	12V AC/DC, 25 mA TH590234000	24V AC/DC, 12.5 mA TH590237000	48V AC/DC, 12.5 mA TH590240000				
	2	Green LED	TH590232000	TH590235000	TH590238000	TH590241000				
	4	Red LED	TH590230000	TH590233000	TH590236000	TH590239000				

Acoustic versions available upon request

Ordering Reference

Basic type	TI2				Example: TI2	2	VFA	F0	A	N	
Panel cut-out	2				Ø 22.5 mm						
Switch body	Function	Actuator style	Housing		Part No.						
	VFA	Visual	Ø 25	Exposed plastic; IP65; faston		TH555020000					
	VFB	Visual	Ø 25	Exposed plastic; IP65; solder		TH555120000					
	VFC	Visual	Ø 25	Exposed aluminum; IP40/IP65*; faston		TH555018000					
	VFD	Visual	Ø 25	Exposed aluminum; IP40/IP65*; solder		TH555118000					
	VFE	Visual	Ø 25	Exposed aluminum; IP65 with silicon cap; faston		TH555033000					
	VFF	Visual	Ø 25	Exposed aluminum; IP65 with silicon cap; solder		TH555133000					
	VFG	Visual	Ø 25	Flush-aluminum; IP40; faston		TH555050000					
VFH	Visual	Ø 25	Flush-aluminum; IP40; solder		TH555150000						
VFJ	Visual	Ø 25	Flush-aluminum; IP67; faston		TH555051000						
VFK	Visual	Ø 25	Flush-aluminum; IP67; solder		TH555151000						
Lens transparent			For body style	VFC/VFD	With sealing ring						
			VFA/VFB (IP65)	VFG/VFH (IP40/IP65)	VFE/VFF (IP65)		VFJ/VFK (IP67)				
	F0	White	TH565024000	TH465015000	TH465001000		TH565025000				
	F1	Yellow	TH565124000	TH465115000	TH465101000		TH565125000				
	F2	Green	TH565224000	TH465215000	TH465201000		TH565225000				
	F3	Blue	TH565324000	TH465315000	TH465301000		TH565325000				
	F4	Red	TH565424000	TH465415000	TH465401000		TH565425000				
F6	Orange	TH565624000	TH465615000	TH465601000		TH565625000					
Illumination	A		6V								
	B		12V								
	C		24V								
	F		48V								
Illumination color	N	Incandescent lamp	6V, 200 mA TH590000000	12V, 80 mA TH590001000	24V, 50 mA TH590006000	48V, 25 mA TH590004000					
	1	Yellow LED	6V AC/DC, 45 mA TH590231000	12V AC/DC, 25 mA TH590234000	24V AC/DC, 12.5 mA TH590237000	48V AC/DC, 12.5 mA TH590240000					
	2	Green LED	TH590232000	TH590235000	TH590238000	TH590241000					
	4	Red LED	TH590230000	TH590233000	TH590236000	TH590239000					
	Acoustic versions available upon request										