

1618416-9 ✓ ACTIVE

TE Internal #: 1618416-9

TE Internal Description: EV210GXANA 1000V 24-48VDC COIL NC  
AUX

[View on TE.com >](#)



Relays & Contactors > Contactors > General Purpose Contactors



Contact Current Rating: **500 A**

Contact Switching Voltage (Max): **900 VDC**

Coil Voltage Rating: **48 VDC**

Contact Arrangement: **1 Form X (NO - DM)**

## Features

### Configuration Features

Auxiliary Switch Contact Arrangement	SPST NC
Number of Poles	1
Contact Arrangement	1 Form X (NO - DM)

### Electrical Characteristics

Coil Resistance	11 $\Omega$
Contact Current Rating	500 A
Contact Switching Voltage (Max)	900 VDC
Coil Voltage Rating	48 VDC

### Body Features

Enclosure Type	Hermetically Sealed
----------------	---------------------

### Contact Features

Contact Material	Copper
------------------	--------

### Termination Features

Coil Termination & Connection Type	Connector
Auxiliary Termination & Connection Type	Wire - Connector

### Mechanical Attachment

Product Mounting Feature Type	Mounting Hole
-------------------------------	---------------

### Dimensions

Wire Size	4/0 AWG
-----------	---------

### Operation/Application

Actuating System	DC
------------------	----

### Packaging Features

Packaging Method	Box
------------------	-----

### Product Compliance

[For compliance documentation, visit the product page on TE.com>](#)

EU RoHS Directive 2011/65/EU	Compliant
EU ELV Directive 2000/53/EC	Not Yet Reviewed
China RoHS 2 Directive MIIT Order No 32, 2016	No Restricted Materials Above Threshold
EU REACH Regulation (EC) No. 1907/2006	Current ECHA Candidate List: JAN 2024 (240) Candidate List Declared Against: JAN 2024 (240) Does not contain REACH SVHC
Halogen Content	Not Yet Reviewed for halogen content
Solder Process Capability	Not reviewed for solder process capability

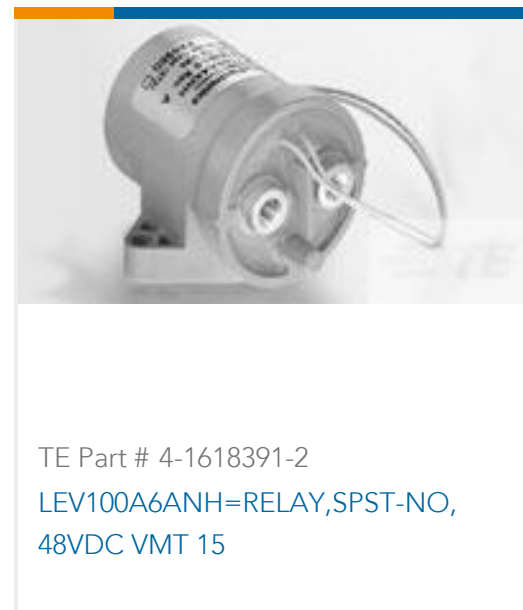
#### Product Compliance Disclaimer

This information is provided based on reasonable inquiry of our suppliers and represents our current actual knowledge based on the information they provided. This information is subject to change. The part numbers that TE has identified as EU RoHS compliant have a maximum concentration of 0.1% by weight in homogenous materials for lead, hexavalent chromium, mercury, PBB, PBDE, DBP, BBP, DEHP, DIBP, and 0.01% for cadmium, or qualify for an exemption to these limits as defined in the Annexes of Directive 2011/65/EU (RoHS2). Finished electrical and electronic equipment products will be CE marked as required by Directive 2011/65/EU. Components may not be CE marked. Additionally, the part numbers that TE has identified as EU ELV compliant have a maximum concentration of 0.1% by weight in homogenous materials for lead, hexavalent chromium, and mercury, and 0.01% for cadmium, or qualify for an exemption to these limits as defined in the Annexes of Directive 2000/53/EC (ELV). Regarding the REACH Regulations, TE's information on SVHC in articles for this part number is still based on the European Chemical Agency (ECHA) 'Guidance on requirements for substances in articles' (Version: 2, April 2011), applying the 0.1% weight on weight concentration threshold at the finished product level. TE is aware of the European Court of Justice ruling of September 10th, 2015 also known as O5A (Once An Article Always An Article) stating that, in case of 'complex object', the threshold for a SVHC must be applied to both the product as a whole and simultaneously to each of the articles forming part of its composition. TE has evaluated this ruling based on the new ECHA "Guidance on requirements for substances in articles" (June 2017, version 4.0) and will be updating its statements accordingly.

### Compatible Parts



TE Part # 1-1618002-5  
EV200H1ANA=RELAY, SPST-NO WITH



TE Part # 4-1618391-2  
LEV100A6ANH=RELAY, SPST-NO,  
48VDC VMT 15

## Customers Also Bought



TE Part #DT04-2P  
REC, 2P, GRY, N



TE Part #DT06-2S  
PLG, 2P, GRY, N



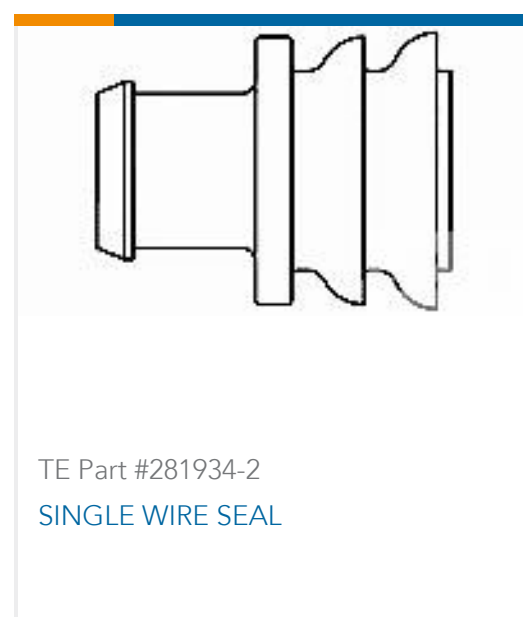
TE Part #W2S  
Wedgelocks: DEUTSCH DT



TE Part #0460-202-16141  
DEUTSCH Solid Contacts



TE Part #282104-1  
AMP SUPERSEAL 1.5MM,  
CONNECTOR HOUSING



TE Part #281934-2  
SINGLE WIRE SEAL



TE Part #114017-ZZ  
SEALING PLUG, SIZE 12/16, WHT

## Documents

### CAD Files

#### 3D PDF

3D

#### Customer View Model

[ENG\\_CVM\\_CVM\\_1618416-9\\_B1.2d\\_dxf.zip](#)

English

#### Customer View Model

[ENG\\_CVM\\_CVM\\_1618416-9\\_B1.3d\\_igs.zip](#)

English

#### Customer View Model

[ENG\\_CVM\\_CVM\\_1618416-9\\_B1.3d\\_stp.zip](#)

English

By downloading the CAD file I accept and agree to the [Terms and Conditions](#) of use.

### Datasheets & Catalog Pages

[EV210 SERIES CONTACTOR 500+ AMPS, 1000VDC](#)

English

