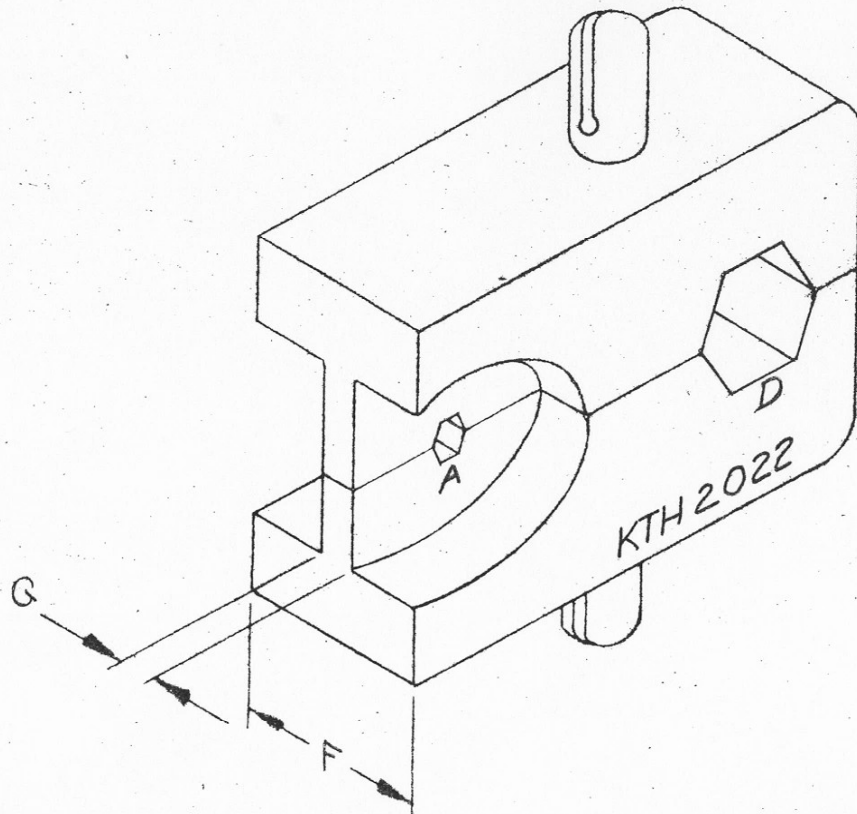


REVISIONS

ISSUE	CHANGES
2	CN 27545 C SD 7NOV 85



NOTES:

1. FOR USE WITH 174, 179, 181, 188, RAYCHEM 5024A-1312, 5026A-1018 & 5026A-1318 CABLE GROUPS.

HEX SIZES (ACROSS FLATS)				DIE WIDTH	WEB WIDTH			
A	B	C	D	F	G	H	I	
.051	—	—	.128	.375	.080	—	—	

UNLESS OTHERWISE SPECIFIED

TOLERANCES: FRACTIONS & DECIMALS WITH NO TRAILING ZEROS
 1 PLACE DECIMALS: ±.005
 2 PLACE DECIMALS: ±.001
 3 PLACE DECIMALS: ±.0005
 4 PLACE DECIMALS: ±.0002

REMOVE ALL BURRS, BREAK SHARP EDGES .005 MAX
 SURFACE FINISH PERMITTED
 SURFACE ROUGHNESS 63 MICRONS RMS MAX
 ALL DIMENSIONS PRIOR TO PLATING.

REF

FINISH

SPEC

MATL

FILE

CRIMP DIE

DRAWN IDE DATE 21 NOV 79

APPX. L1 DATE 21 NOV 79

KINGS ELECTRONICS
 43 MARLBOROUGH ROAD
 TOLLAND, N.Y. 11781

KTH-2022