

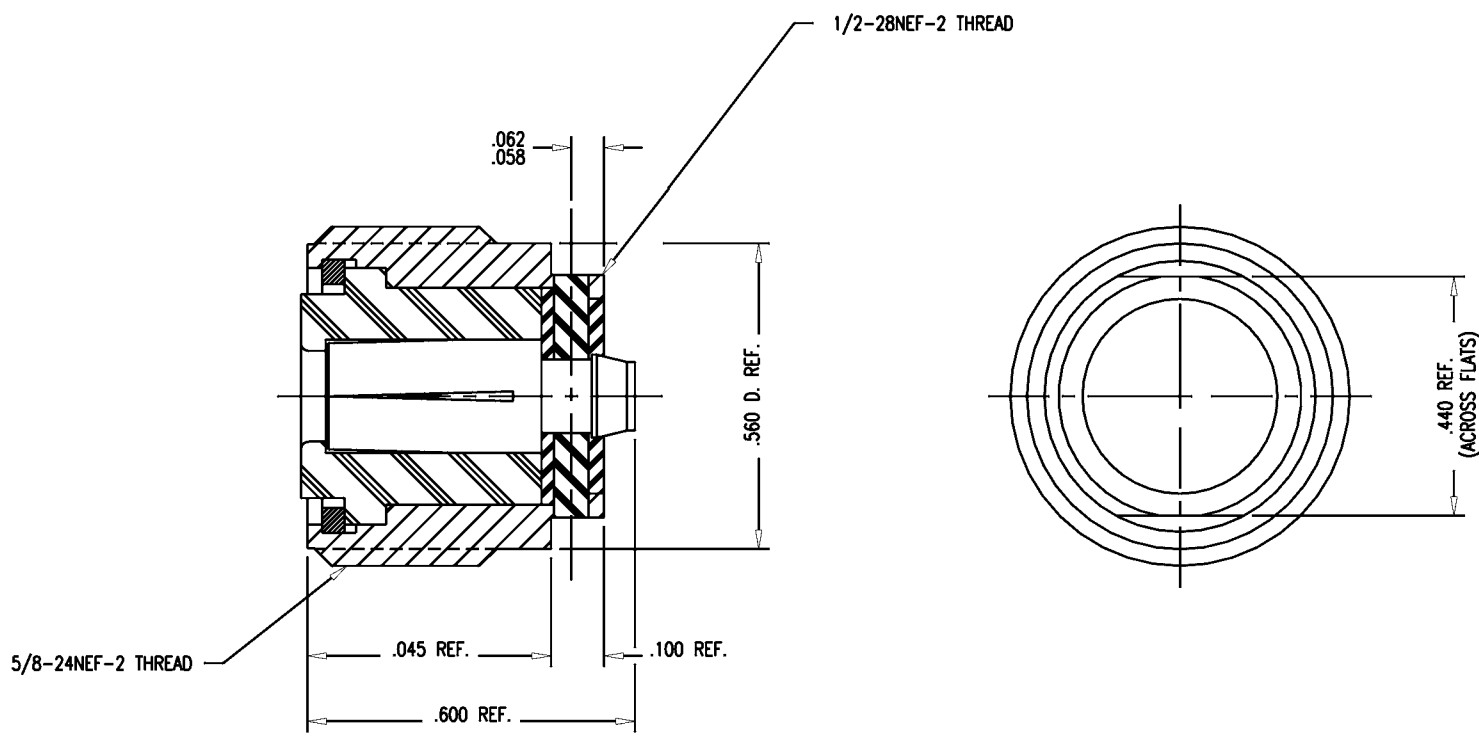
DASH NO.	M CODE	MADE FROM
----------	--------	-----------

# GSD

KU-79-43

REVISIONS

ISSUE	CHANGES
2	CN 38167 C REDRAWN BDH 12/28/00



NOTES:  
1. MARK PACKAGE: KINGS KU-79-43.  
YRWK (DATE CODE)

SCALE	4:1	
APPROX SURFACE AREA		
USED ON		
REF:		
UHF RECEPTACLE		
DRAWN	BDH	DATE 12/28/00
DESIGN	LI	DATE 06/10/74
APPR.		DATE

**KINGS**  
ELECTRONICS CO., INC.  
ROCK HILL, SOUTH CAROLINA 29730

# GSD

KU-79-43