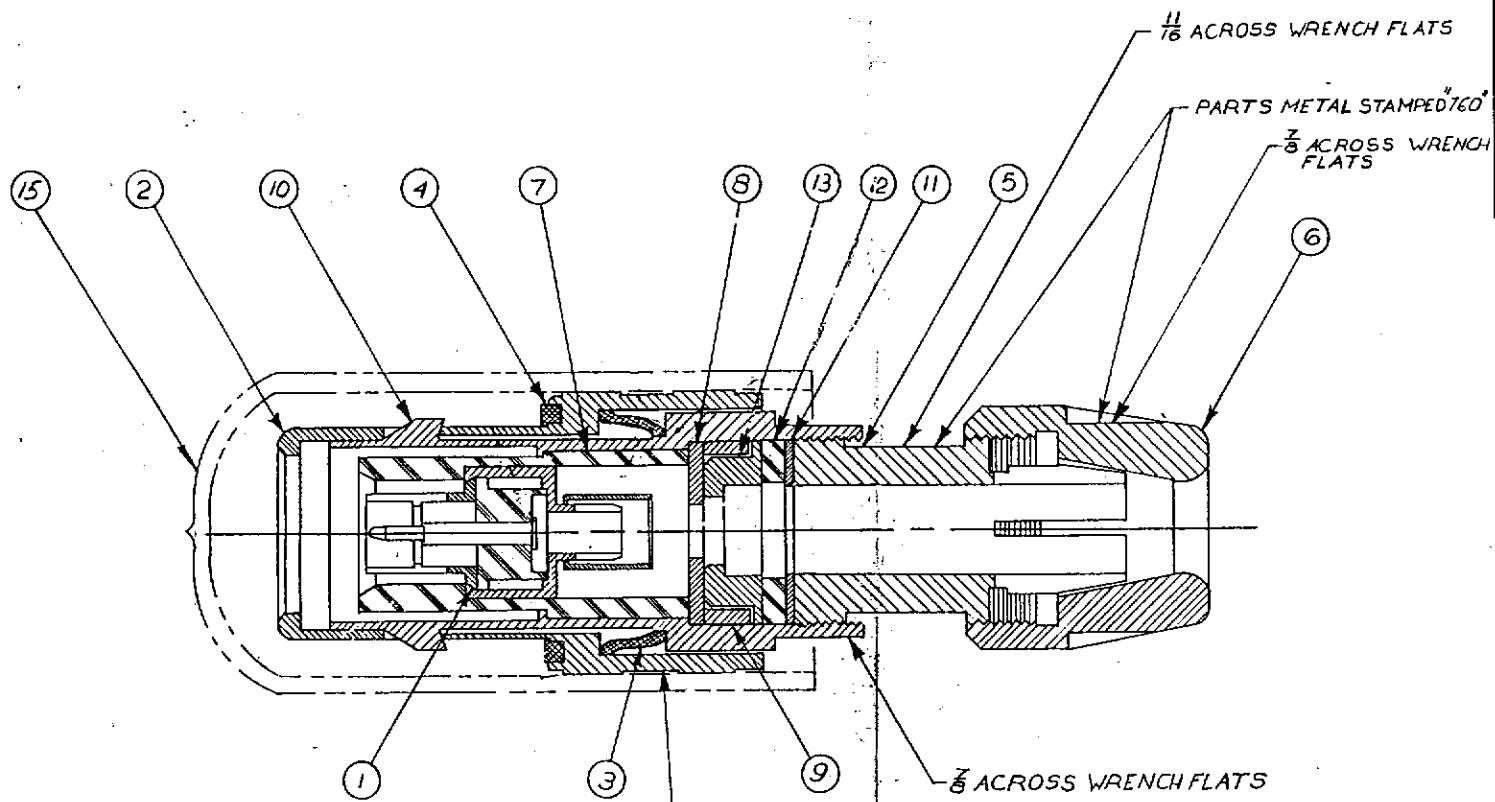


KP8010-760-400
SHEET 1 OF 25 SHEETS

REVISIONS	
ISSUE	CHANGES
0	EP 766 BF 12-9-76
1	CN 23272C GJG 23 APR 82
2	CN 30406 A M.Z.B. 5 JAN. 89

S-D

SCALE 2:1



METAL STAMP IN APPROXIMATE LOCATION SHOWN "KINGS KP 8010-760-400"
3/32 HIGH GOTHIC CHARACTERS

NOTES:

- 1) FOR CRIMPING USE KTH-1000 & DIE KTH-2000.
- 4) FOR COMPLETE B/M SEE KP 8010-760-400 SHEET 2
- 5) FOR USE WITH 760 CABLE GROUP
- 6) FOR CABLE TRIMMING USE KTJ-303 & KTD-303
- 7) FOR CABLING INSTRUCTIONS SEE KAI-8010

UNLESS OTHERWISE SPECIFIED:

- | | |
|---|--|
| <ol style="list-style-type: none"> 1. TOLERANCES: FRACTIONS & 2 PLACE DECIMALS ± .010 3 PLACE DECIMALS ± .004 T. I. R. CONCENTRICITY OF ANY 2 DIAMETERS MAY NOT EXCEED HALF THE SUM OF THEIR TOLERANCES. | <ol style="list-style-type: none"> 2. REMOVE ALL BURRS. BREAK SHARP EDGES .005 MAX. 3. NO FILLETS PERMITTED. 4. SURFACE ROUGHNESS 63 MICRINCHES RMS MAX. 5. ALL DIMENSIONS PRIOR TO PLATING. |
|---|--|

REF:	
FINISH	
SPEC:	
MATL:	
SPEC:	
TRI-LOC CABLE PLUG ASSY (70.0 NOMINAL)	
DRAWN L. J. [unclear]	DATE 3-17-76 B
APPR. T. [unclear]	DATE 12-10-76

S-D

KINGS ELECTRONICS
40 MARBLEDALE ROAD
TUCKAHOE, N. Y. 10707

ITEM	REQ'D	DESCRIPTION	DRAWING NO.
			KP8010-760-400

S-D

REVISIONS

ISSUE	CHANGES
0	ER 766 B.F. D.P. R.
1	CN 2327C GJG 23 APR 82
2	CN 30406 A M.Z.B. 5 JAN. 89

 KP8010-760-400
 SHT 2 OF 2 ENTS

15	1	—	X						CAP	108010-167-M99
13	1	—	X						BRAID CLAMP	108010-103-M07
12	1	—	X						GASKET	108010-110-M99
11	1	—	X						WASHER	108010-117-M07
10	1	—	X						BODY	108010-101-MAG
9	1	—	X						SLEEVE	108010-146-M07
8	1	—	X						WASHER	108010-144-2M07
7	1	—	X						INSULATOR	
6	1	—	X						NUT	108010-105-1MAG
5	1	—	X						COLLET	108010-122-M06
4	1	—	X						GASKET	
3	1	—	X						GASKET	
2	1	—	X						BODY	
—	—	AS REQ'D		X					PAINT, BLUE ENAMEL (TEST FOR CORP PLATING OR EQUAL)	
—	1	1		X					SLEEVE BLUE DOT	108010-145-M07
—	1	1				X			CONTACT TIP	108010-150-M99
—	1	1				X			CONTACT (MALE) BLUE DOT	108010-149-1M99
—	1	1			X				CONTACT ASSY.	108010-007-1M50
—	1	1				X			BODY BLUE DOT	108010-151-M07
—	1	1				X			INSULATOR	108010-147-M99
—	1	1				X			CONTACT	21A-13-M07
—	1	1			X				BODY ASSY.	108010-006-3M26
1	1	—		X					RETRO-FIT ASSY.	
—	—	—	X						TRI-LOC CABLE PLUG ASSY.	
ITEM	NO.	NUMBER REQ'D PER SUB ASSY.	FINAL ASSY	NEXT ASSY	NEXT ASSY	NEXT ASSY	NEXT ASSY		DESCRIPTION	DRAWING NO.

UNLESS OTHERWISE SPECIFIED:

- TOLERANCES: FRACTIONS & 2 PLACE DECIMALS ± .010
3 PLACE DECIMALS ± .004 ANGLES ± 0° 30'
- REMOVE ALL BURRS, BREAK SHARP EDGES .005 MAX.
- NO FILLETS PERMITTED.
- SURFACE ROUGHNESS 63 MICROINCHES RMS MAX.
- ALL DIMENSIONS PRIOR TO PLATING.

SHT 2 OF 2

EM	REQ'D	DESCRIPTION	DRAWING NO.
			KP8010-760-400

REF:	
FINISH	
SPEC.	
MATL.	
SPEC.	
DRAWN JJP	DATE 3-8-76 BT
APPR. F. O'NEILL	DATE 10-10-76

 TRI-LOC CABLE
 PLUG ASSY
 (70 Ω NOMINAL)

 KINGS ELECTRONICS
 40 MARBLEDALE ROAD
 TUCKAHOE, N. Y. 10707

S-D

D.I.D. DEPT