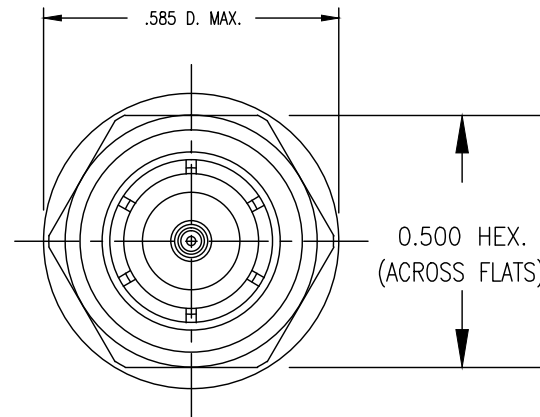
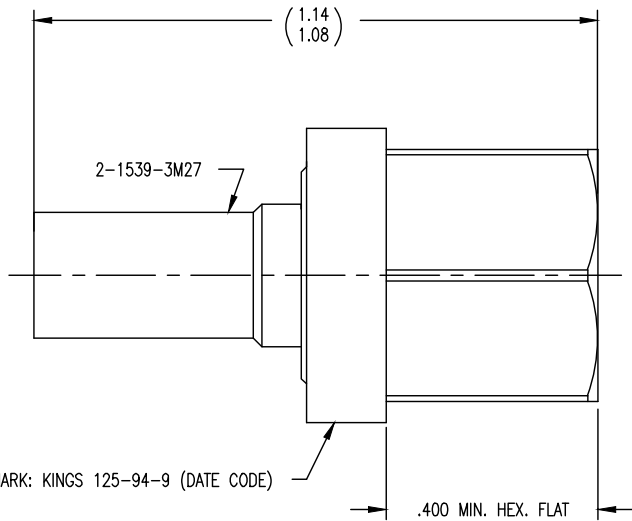


DASH NO.	M CODE	MADE FROM
----------	--------	-----------



REVISIONS	
ISSUE	CHANGES
0	ER 34032 KH 07/30/92
1	CN 39445 E DRK 04/28/06
2	ER 8354 RMS 05/30/08
D	REVISED PER DMF304 & ER33626 MARKUP KPL 06/29/11

125-94-9

CUSTOMER
SALES
DRAWING

NOTES:

- FOR USE WITH BOEING BMS13-65 OF & ADAMS RUSSELL FC14Z CABLE.
- FOR CABLING INSTRUCTIONS SEE 3-546-1
- FOR CRIMPING USE DIE SIZE KTH-2161.
- INTERFACE PER MIL-STD-348 FIG. 313-1.
- CENTER CONTACT (1-569-21MA9) SUPPLIED UNASSEMBLED.
- MARK PACKAGE: KINGS: 125-94-9 (DATE CODE)
- MATERIALS:
GASKET- SILICONE RUBBER, A-A-59588
INSULATOR- TEFLON, ASTM-D1710
K-CRIP SLEEVE- COMMERCIAL BRONZE, ASTM-B135
OUTER CONTACT-BERYLLIUM COPPER, ASTM-B196
C-RING- PHOSHOR BRONZE, ASTM-B103
ALL OTHER METAL PARTS- BRASS, ASTM-B16
- FINISHES:
CENTER CONTACT: .000050 MIN GOLD PLATE, PER ASTM-B-488 OVER .000050 MIN. NICKEL PER AMS-QQ-N-290 (RoHS)
ALL OTHER METAL PARTS: .000050 MIN NICKEL PER AMS-QQ-N-290 OVER .000050 MIN COPPER PER ASTM B734 (RoHS)
- ELECTRICAL CHARACTERISTICS:
NOMINAL IMPEDANCE- 50 OHMS
FREQUENCY RANGE- 0 TO 11 GHz
WORKING VOLTAGE- 500 VOLTS RMS
INSERTION LOSS- DC TO 2.5 GHz, 0.05 dB MAX
2.5 TO 3.5 GHz, 0.12 dB MAX
3.5 TO 5.0 GHz, 0.17 dB MAX
- WEIGHT: 11.81 GRAMS

THIS DRAWING, THE DESIGNS AND IDEAS EMBODIED IN THE DEVICE TO WHICH IT RELATES, AND THE METHOD OF PRODUCING THE DEVICE, ARE THE PROPERTY OF WINCHESTER ELECTRONICS CORPORATION AND SHALL NOT BE EMPLOYED, COPIED, OR DISCLOSED TO ANYONE, IN ANY MANNER WITHOUT THE CONSENT OF WINCHESTER ELECTRONICS CORPORATION.

SCALE 4:1
APPROX SURFACE AREA
CAGE CODE: 91836
USED ON
REF: BOEING
PLUG, TNC, HEX

DRAWN KH	DATE 06/01/92
DESIGN JT	DATE 06/01/92
APPR.	DATE
Winchester Electronics 62 Barnes Industrial Road North Wallingford, CT 06492	

125-94-9