

DIN Rail Adapters

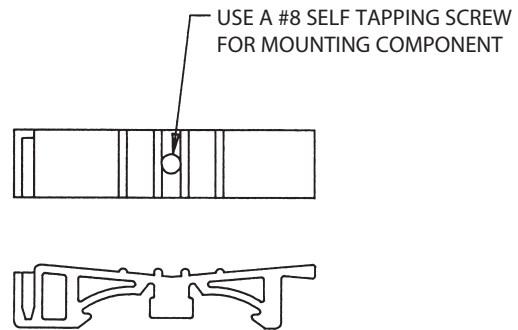
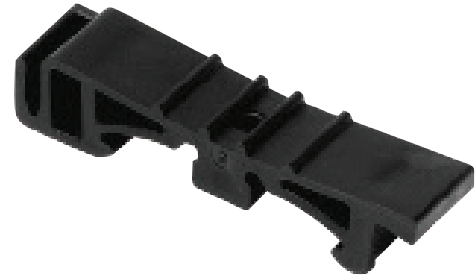
Catalog #	Std Pack Qty
DIN R 1	10

DIN R 1:

- Accessory to secure surface mount devices on DIN rail
- Made of acetal resin material
- High mechanical strength and rigidity
- Good resilience and resistance to creep
- Excellent dimensional stability
- Excellent low temperature toughness
- Wide end-use temperature range
- Will work with 2 and 3 pole Class H (250 volt, 30 amp) and Class R fuse holders (250 volt, 30 amp), and 985, 1100, 1200, 1500, and 1600 series heavy duty terminal blocks
- RoHS compliant

Assembly Method:

- Press adapter onto rail, fasten component with #8 self tapping screw (screw not supplied)
- Assembly locks firmly unto DIN rail



Catalog #	Std Pack Qty
DIN R 2	10

DIN R 2:

- For use with Class CC (30 amp), midget, and Class G fuse holders.
- RoHS compliant

Assembly Method:

- DIN R 2 snaps securely to the Marathon fuse holders and to DIN rails without tools, which permits the fuse holders to be mounted directly to standard and low profile 35mm symmetrical and 32mm asymmetrical DIN rails.
- May be removed by lifting the disconnect tab

