

Double Row Terminal Blocks

Kulka® 602/802 GP Series

300 Volts

Specifications:

- Base, General Purpose Phenolic, 150° C
- JJ (GDI-30F) Material Available
- Open Back Design (Insulator Strip Required for Voltage Rating)
- Screws, #8-32 Binder Head, Phil-Slot
- Terminals, Plated Brass
- 1-26 Poles
- 9/16" Centers
- Wire Range With Wire Binding Screw #12-#14 AWG – 30 Amps
- The Suitability Of These Devices For Greater Currents Shall Be Determined In The End-Use Application
- UL Recognized File No. E47811
- CSA Certified File No. LR19766
- 802 Series (Riveted KT's)
- CE



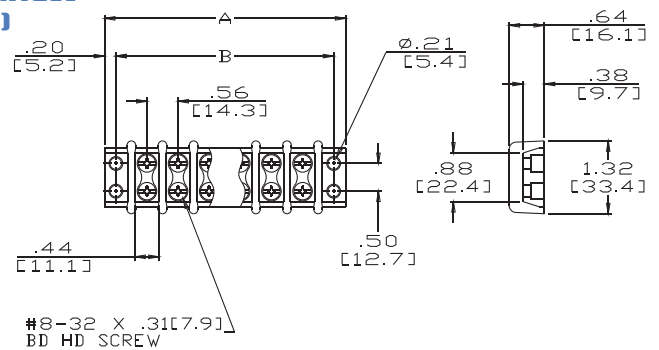
Catalog #	# of poles	Dimensions	
		A	B
602 GP 01	1	1.54	1.13
602 GP 02	2	2.10	1.69
602 GP 03	3	2.66	2.25
602 GP 04	4	3.22	2.81
602 GP 05	5	3.79	3.38
602 GP 06	6	4.35	3.94
602 GP 07	7	4.91	4.50
602 GP 08	8	5.47	5.06
602 GP 09	9	6.04	5.63
602 GP 10	10	6.60	6.19
602 GP 11	11	7.16	6.75
602 GP 12	12	7.72	7.31
602 GP 13	13	8.29	7.88

Catalog #	# of poles	Dimensions	
		A	B
602 GP 14	14	8.85	8.44
602 GP 15	15	9.41	9.00
602 GP 16	16	9.97	9.56
602 GP 17	17	10.54	10.13
602 GP 18	18	11.10	10.69
602 GP 19	19	11.66	11.25
602 GP 20	20	12.22	11.81
602 GP 21	21	12.79	12.38
602 GP 22	22	13.35	12.94
602 GP 23	23	13.91	13.50
602 GP 24	24	14.47	14.06
602 GP 25	25	15.04	14.63
602 GP 26	26	15.60	15.19

Top Mounted Hardware is .250" Wide
MM = Dim X 25.4

Hardware Options: (Hardware options may affect ratings - consult factory)

KT 55	=	Full Quick Connect (0° flat)	See Page 93
KT 56	=	Full Quick Connect (45° Bend)	See Page 93
KT 57	=	Full Quick Connect (90° Bend)	See Page 93
ST	=	Full Solder	See Page 94
J602	=	Line to Line Jumper	See Page 96
3/4 ST	=	Half Solder	See Page 94
KT 61	=	Half Quick Connect (0° Flat)	See Page 93
KT 62	=	Half Quick Connect (45° Bend)	See Page 93
KT 63	=	Half Quick Connect (90° Bend)	See Page 93
3786	=	Wire Clamp Screw	See Page 96
Y	=	Feed Thru Solder (.500)	See Page 95
YSY	=	Feed Thru Solder (.672)	See Page 95
Z	=	Lug Over the Side (.609)	See Page 95
2202	=	Stud	See Page 98



Single/Double Row Terminal Blocks