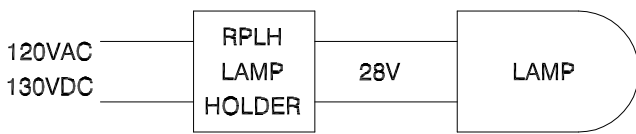


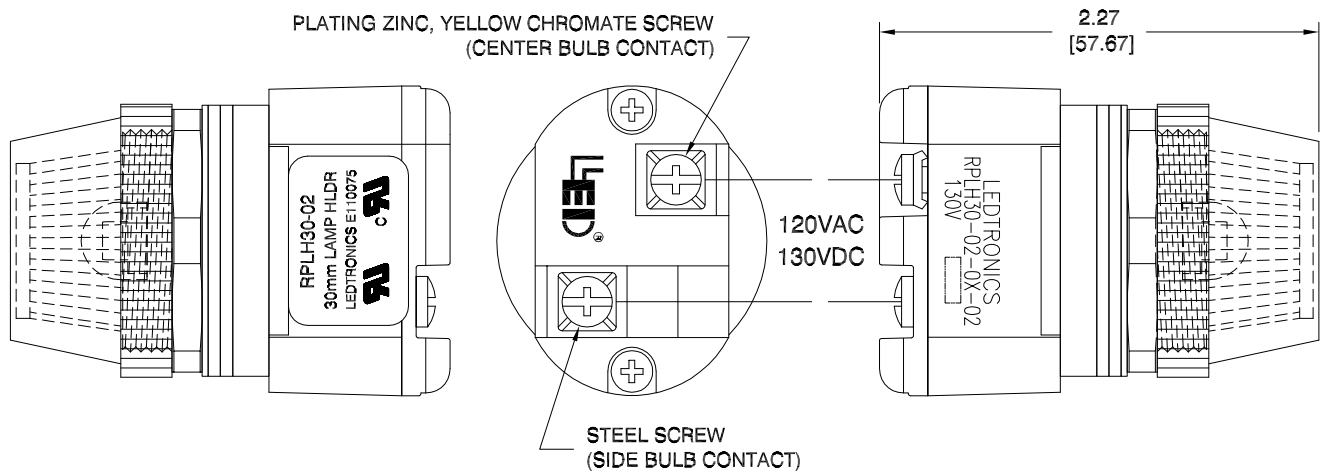
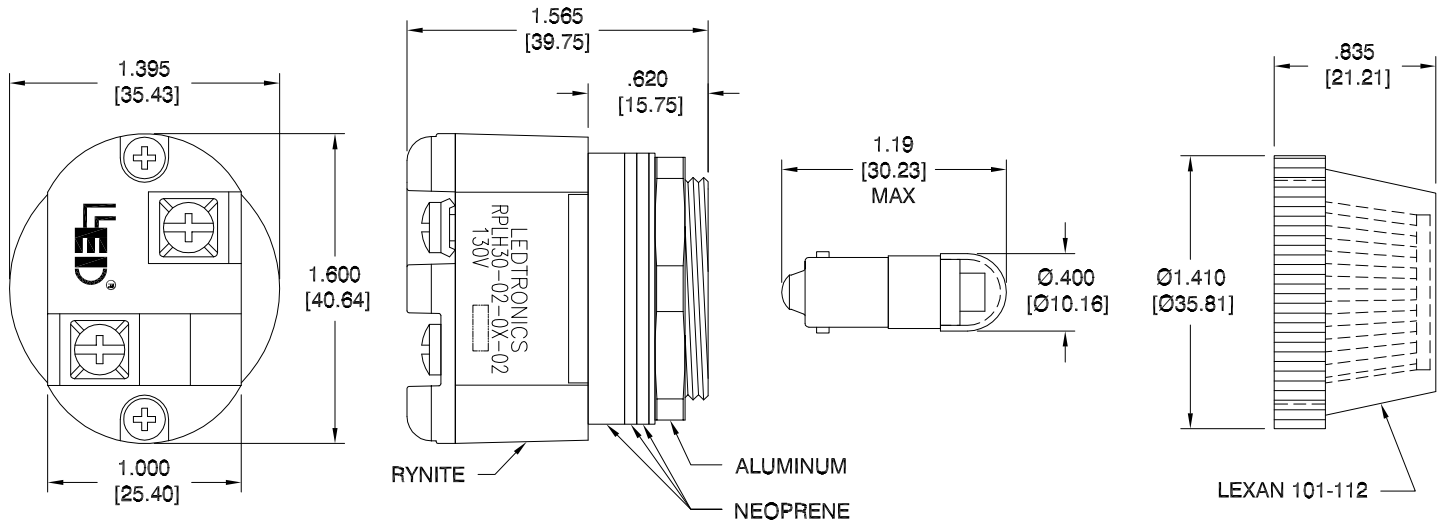
LTR	REVISION	DATE	APPD
B	012721-GP02: REMOVED NOTATIONS	01-27-21	GP



LAMP HOLDER SERIES - RPLH30-02

LED LAMP SERIES - RPLB-020X

LENS - RPLL30-CXF



**NOTES:**

1. ALL DIMENSIONS ARE IN INCHES [MILLIMETERS].
2. MOUNTING HOLE SIZE: Ø19/16" [Ø30mm]
3. WEIGHT: 0.10 lbs. / 1.6 oz.

**RPLH30-02-XX-02**



**ELECTRICAL / OPTICAL CHARACTERISTICS (Ta = 25°C)**

RPLH30-02-01-02	130Vdc/120Vac	0.014 A	1.82 W	635	RED	RPLH30-02	RPLB-0201-28V	RPLL30-CRF
RPLH30-02-02-02	130Vdc/120Vac	0.014 A	1.82 W	610	AMBER	RPLH30-02	RPLB-0203-28V	RPLL30-CAF
RPLH30-02-03-02	130Vdc/120Vac	0.014 A	1.82 W	595	YELLOW	RPLH30-02	RPLB-0204-28V	RPLL30-CYF
RPLH30-02-04-02	130Vdc/120Vac	0.014 A	1.82 W	519	GREEN	RPLH30-02	RPLB-0206-28V	RPLL30-CGF
RPLH30-02-05-02	130Vdc/120Vac	0.014 A	1.82 W	462	BLUE	RPLH30-02	RPLB-0208-28V	RPLL30-CBF
RPLH30-02-06-02	130Vdc/120Vac	0.014 A	1.82 W	8000K	WHITE	RPLH30-02	RPLB-0209-28V	RPLL30-TWF
RPLH30-02-07-02	130Vdc/120Vac	0.014 A	1.82 W	8000K	CLEAR	RPLH30-02	RPLB-0210-28V	RPLL30-CWF
LEDTRONICS PART NO.	INPUT VOLTAGE, V	CURRENT (A)	POWER (W)	λ P nm COLOR TEMP. (K)	COLOR EMITTED	LAMP HOLDER PART NO.	LED LAMP PART NO.	LENS PART NO.

**LED**<sup>®</sup>  
**LEDTRONICS,™ INC.**  
 23105 KASHIWA COURT  
 TORRANCE, CA 90505

**-PROPRIETARY-**  
 This document contains Proprietary information of LEDTRONICS,™ INC. It may not be copied, used or disclosed for any purpose without the prior express written consent of LEDTRONICS,™ INC.

.XXX ± .010 TOLERANCE PER ANSI-Y14.5  
 .XX ± .025 (UNLESS OTHERWISE STATED)  
 ANGLES ± 0°,30'  
 FRACT. ± 1/32

<b>TITLE</b> RPLH30-02-0X-02			
DWG NO H3002005-INT	SCALE 1:1	SHEET 1 OF 1	DATE 08-02-17
CODE IDENT NO. 8Z410	DWG BY GP 08-02-17	CHK BY	QA SB 01-28-21
			MFG LD 01-27-21
			R&D LUV 01-27-21