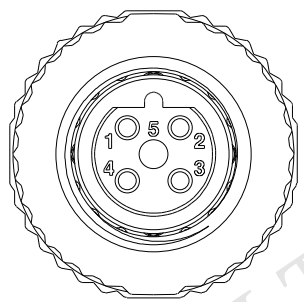
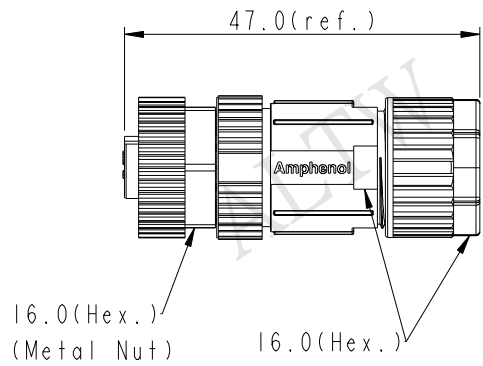
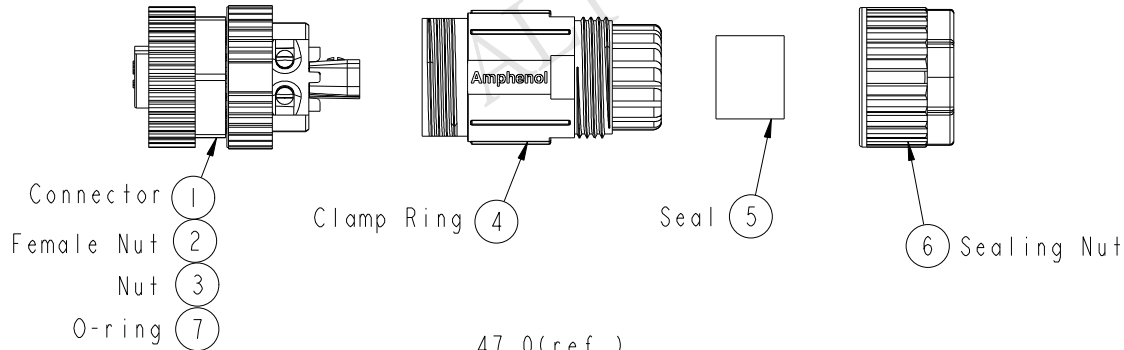


REV.	ECN NO.	DATE	SIGN	DESCRIPTION
A	Initial Release	2015/10/08	Mila	Change Rev.01 To Rev.A

**ALTW**  
**CONFIDENTIAL**  
 2015-10-08  
 R&D DEPT.

**ALTW**  
 DCC. DEPT.  
 CONFIDENTIAL  
 2015.10.28  
 ISSUED



Pin Assignments  
 Front View

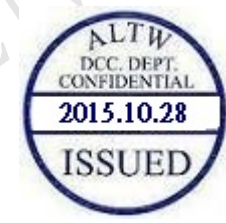
UNIT:mm		
TOLERANCE		
±0.5mm		

TITLE M12 B-Code Unshielded Assy 5Pin F Conn. F Pin			
SCALE 1:1	SIZE A4	SHEET 1 OF 2	
REV. A	WC-REV. A.2	QC: Inspection item	

**Amphenol LTW**  
 安費諾亮泰企業股份有限公司

ITEM NO. M12B-05BFFB-SL7001	DRAWN BY Mila	DATE 2015-10-08
DWG NO. M12B-05BFFB-SL7001	CHECKED BY Cary	DATE 2015-10-08
CUSTOMER ALTW	APPROVED BY Jerry	DATE 2015-10-08

THIS DOCUMENT IS SUBJECT TO CHANGE WITHOUT NOTICE. IT IS CONFIDENTIAL AND A PROPERTY OF Amphenol LTW. DISCLOSURE TO THIRD PARTY HAS TO BE AUTHORIZED BY Amphenol LTW.



M 12B - 05 B F F B - S L 7 001

12B: B-Code  
 05: 5Pin  
 B: Without S/R(無網尾)  
 F: Female Connector(母座)  
 F: Female Pin(母Pin)  
 001: Without Cable  
 7: IP67(防水等級67)  
 L: Straight(180°)  
 S: Screw(螺紋式)  
 B: Screw in Type(組裝式)

- Note:
- \* Important Dimension To Check.
  - \* Waterproof Rate: IP67
  - \* Housing: Nylon,Black
  - \* Female Pin: Copper Alloy, Gold Plated
  - \* Female Nut: Zinc Alloy, Nickel Plated
  - \* Nut:PBT+PC,Black
  - \* O-Ring: Silicon,Grey.
  - \* Clamp Ring: Nylon,Black
  - \* Sealing Nut:PBT+PC,Black
  - \* Seal: Silicon,Grey
  - \* Seal For Cable OD:  $\varnothing 4.0\text{mm} \sim \varnothing 8.0\text{mm}$
  - \* Screws for Wire connection recommended  
tightening torque: 0.61~0.84 kgf.cm / 0.059~0.082 N.m
  - \* Applicable Wire gauge (Stranded wire cross section)  
0.14mm<sup>2</sup> (26AWG) ~ 0.82mm<sup>2</sup> (18AWG)
  - \* Mating Recommended tightening torque:  
3~4 kgf.cm / 0.29~0.39 N.m
  - \* Sealing-Nut Recommended tightening torque:  
4~6 kgf.cm / 0.39~0.59 N.m
  - \* Detailed applicable wire specifications may vary depending on the actual wire construction.

UNIT:mm  TOLERANCE $\pm 0.5\text{mm}$	TITLE M12 B-Code Unshielded Assy 5Pin F Conn. F Pin		<h2 style="text-align: center;">Amphenol LTW</h2> <p style="text-align: center;">安費諾亮泰企業股份有限公司</p>		ITEM NO M12B-05BFFB-SL7001	DRAWN BY Mila	DATE 2015-10-08
	SCALE 1:1	SIZE A4			SHEET 2 OF 2	DWG NO M12B-05BFFB-SL7001	CHECKED BY Cary
	REV. A	WC-REV. A.2	Inspection item	CUSTOMER ALTW	APPROVED BY Jerry	DATE 2015-10-08	