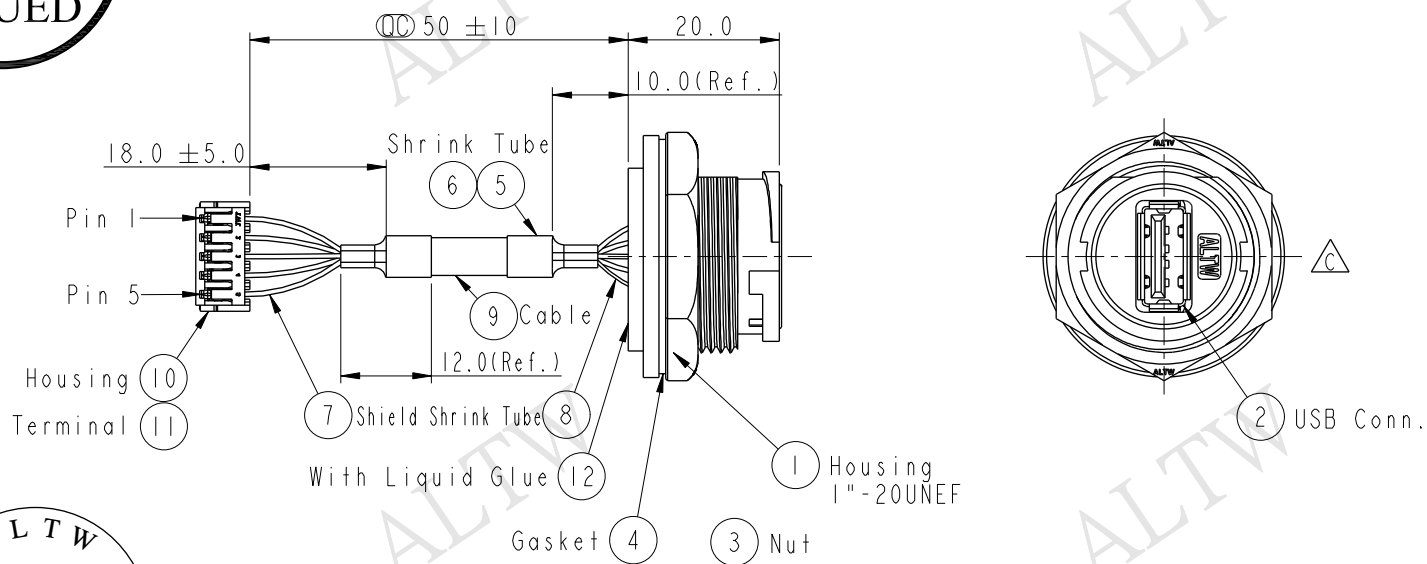
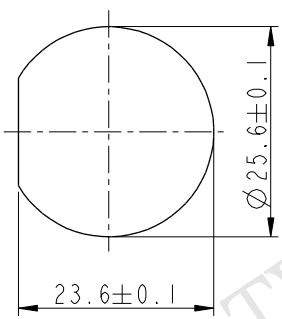


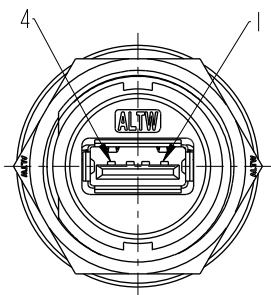
THIS DOCUMENT IS SUBJECT TO CHANGE WITHOUT NOTICE. IT IS CONFIDENTIAL AND A PROPERTY OF Amphenol LTW. DISCLOSURE TO THIRD PARTY HAS TO BE AUTHORIZED BY Amphenol LTW.

REV.	ECN NO.	DATE	SIGN	DESCRIPTION
B	LEN-7B0135	2007/11/15	Gao Ling	Modify Panel Thickness
C	LEN15C0035	2015/10/29	Ruru	Change Logo

ALTW
 DCC. DEPT.
 CONFIDENTIAL
 2015.12.07
ISSUED



ALTW
 CONFIDENTIAL
 2015-10-29
 R&D DEPT.



	Wire Color	Wire Size	Conn.
5	Drain		Shield
4	Black	24AWG	4
3	Green	28AWG	3
2	White	28AWG	2
1	Red	24AWG	1
Housing		Wire Color	Conn.

Pin Out

Note:

- * \varnothing Important Dimension.
- * Housing: Nylon+GF, Black
- * Nut: Nylon+GF, Black
- * Gasket: EPDM, Black
- * PCB: FR-4, t=1.0mm
- * Liquid Glue: Black
- * Hosing: Nylon, PH=2.50mm
- * Terminal: Female Pin, Tin Plated
- * Cable: 1P*28#+2C*24#+AL+MY+D+B, OD=5.0mm
- * Use with waterproof cap or dust cap For Panel Thickness Max: 2.8mm
- * Use without waterproof cap or dust cap For Panel Thickness Max: 4.0mm

UNIT: mm

TOLERANCE	
.X	±0.25
.XX	±0.1
.XXX	±0.05
ANGLES	±1°

TITLE USB With Harness Panel Lock M Conn F Pin			
SCALE 1:1	SIZE A4	SHEET 1 OF 1	
REV. C	WC-REV. A.3	\varnothing : Inspection item	

Amphenol LTW
 安費諾亮泰企業股份有限公司

ITEM NO. UA-20PMFP-LC7003	DRAWN BY Ruru	DATE 2015-10-29
DWG NO. UA-20PMFP-LC7003	CHECKED BY Rtia	DATE 2015-10-29
CUSTOMER ALTW	APPROVED BY Lisa	DATE 2015-10-29