

Product data sheet

Specifications



Relay, SE Relays, solid state, SPST NO, 45A, 48 to 660 VAC, 3 to 32 VDC U_c, SCR, AC zero cross, 45 mm

SSR645DIN-DC45

⚠ Discontinued

⚠ Discontinued on: Oct 22, 2024

Product availability: Non-Stock - Not normally stocked in distribution facility

Main

Range	Legacy
Product Type	Solid state relay
maximum output current	45 A
Mounting Support	Panel DIN rail
Network Number of Phases	1 phase
Output Voltage	48...660 V AC

Complementary

Input Current Limits	14 mA at 5 V DC typical
Switch Function	SPST
Contacts Type and Composition	NO
Tightening Torque	0.6...0.7 N.m for input 1.1...1.7 N.m for output
Connections Terminals	Input screw AWG 12) Output screw AWG 8)
Local Signalling	1 LED (green) for input status
Switching Voltage	4 V DC turn-on 1 V DC turn-off
Switching Device	SCR output Zero voltage switching
Maximum Peak Voltage	1200 V
Surge Current	625 A 16.6 ms
Voltage Drop	<1.6 V on-state
Maximum I ² t for fusing	1621 A ² .s 8.3 ms
Leakage Current	1 mA at off-state
DV/dt	500 V/μs off-state maximum
Response Time	8.33 ms (turn-on, turn-off)
Height	4.2 in (106.7 mm)
Width	1.8 in (45.5 mm)
Depth	3.10 in (78.7 mm)

Price is "List Price" and may be subject to a trade discount – check with your local distributor or retailer for actual price.

Product Weight	16.8 oz (476 g)
-----------------------	-----------------

Environment

Product Certifications	CSA CE
-------------------------------	-----------

Ambient Air Temperature for Operation	-40...176 °F (-40...80 °C)
--	----------------------------

Ambient Air Temperature for Storage	-40...257 °F (-40...125 °C)
--	-----------------------------

Ordering and shipping details

Category	US10CP221127
-----------------	--------------

Discount Schedule	0CP2
--------------------------	------

GTIN	3606480792007
-------------	---------------

Returnability	No
----------------------	----

Country of origin	CN
--------------------------	----

Packing Units

Unit Type of Package 1	PCE
-------------------------------	-----

Number of Units in Package 1	1
-------------------------------------	---

Package 1 Height	3.44 in (8.74 cm)
-------------------------	-------------------

Package 1 Width	1.79 in (4.55 cm)
------------------------	-------------------

Package 1 Length	4.20 in (10.67 cm)
-------------------------	--------------------

Package 1 Weight	17.002 oz (482.0 g)
-------------------------	---------------------


Environmental Data

Schneider Electric aims to achieve Net Zero status by 2050 through supply chain partnerships, lower impact materials, and circularity via our ongoing "Use Better, Use Longer, Use Again" campaign to extend product lifetimes and recyclability.

[Environmental Data explained >](#)

[How we assess product sustainability >](#)

Use Better

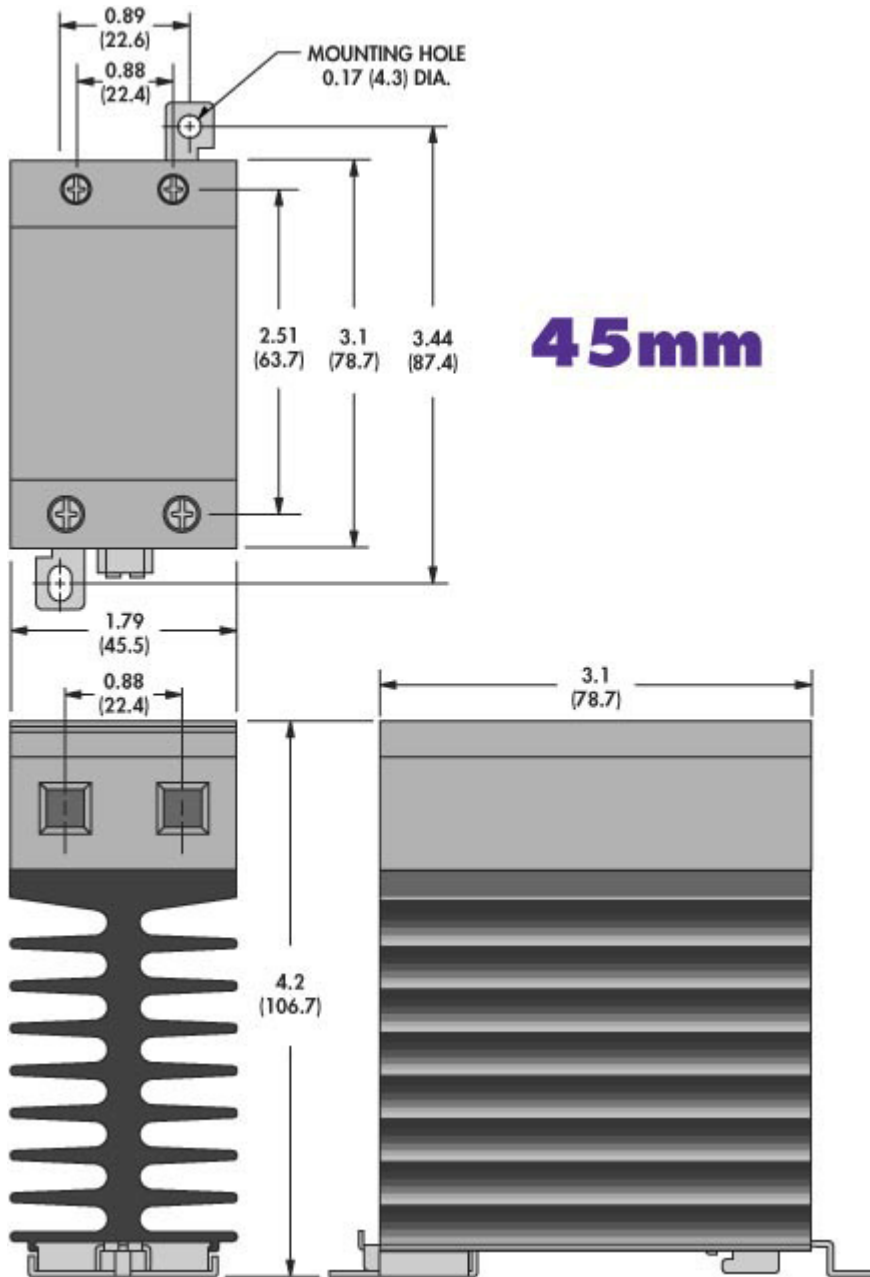
 Materials and Substances	
Packaging without single use plastic	Yes
EU RoHS Directive	Pro-active compliance (Product out of EU RoHS legal scope)
SCIP Number	134201bc-d293-4667-9cca-10a7f11729e0
California proposition 65	WARNING: This product can expose you to chemicals including: Nickel compounds, which is known to the State of California to cause cancer, and Di-isodecyl phthalate (DIDP), which is known to the State of California to cause birth defects or other reproductive harm. For more information go to www.P65Warnings.ca.gov

Use Again

 Repack and remanufacture	
WEEE	 The product must be disposed on European Union markets following specific waste collection and never end up in rubbish bins.

Dimensions Drawings

Approximate Dimensions



Connections and Schema

Connections and Wiring Diagrams

