


Middle Atlantic Products

EXCEPTIONAL SUPPORT & PROTECTION™

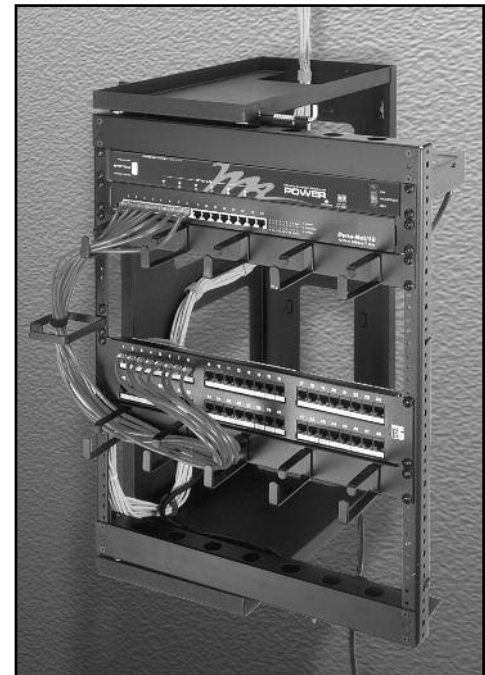
SGR Swing Gate Racks


EIA/TIA Compliant

Open swing-gate rack provides easy rear equipment access

Features

- Open wall mount design lets you swing equipment out to greatly simplify wiring tasks
- Innovative “positive stop” design facilitates punching down while fully open
- Tie points and Velcro cable loops included for cable routing
- Available in 2 depths: 12” and 18”
- 100 lb. weight capacity
- Durable black powder coat finish



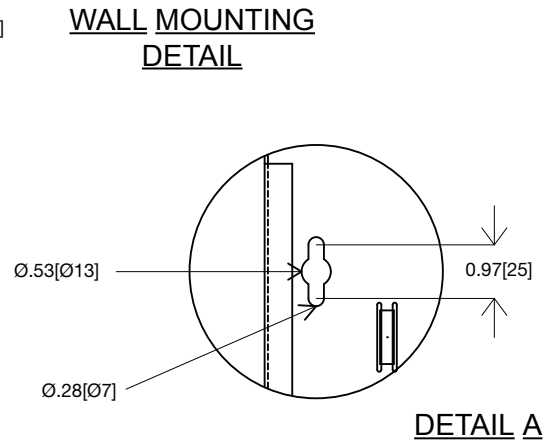
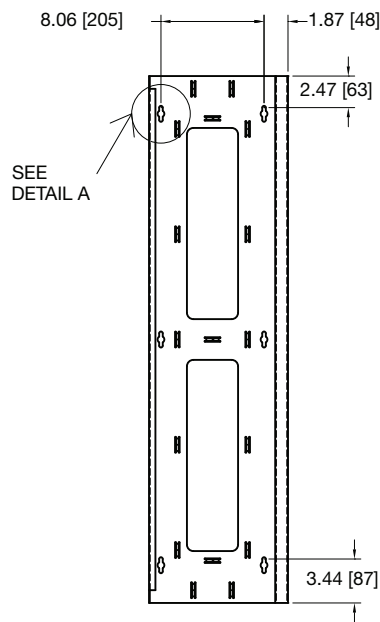
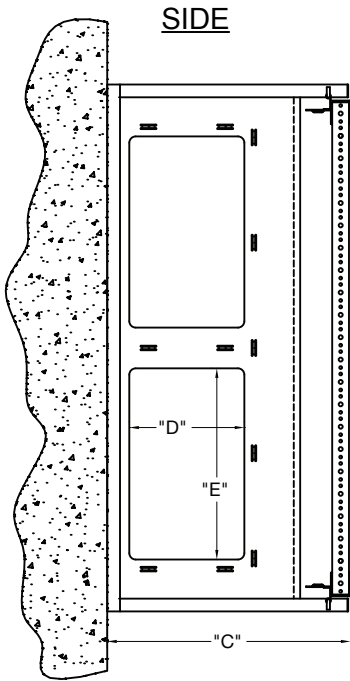
SGR-20-18

Architects' and Engineers' Specifications

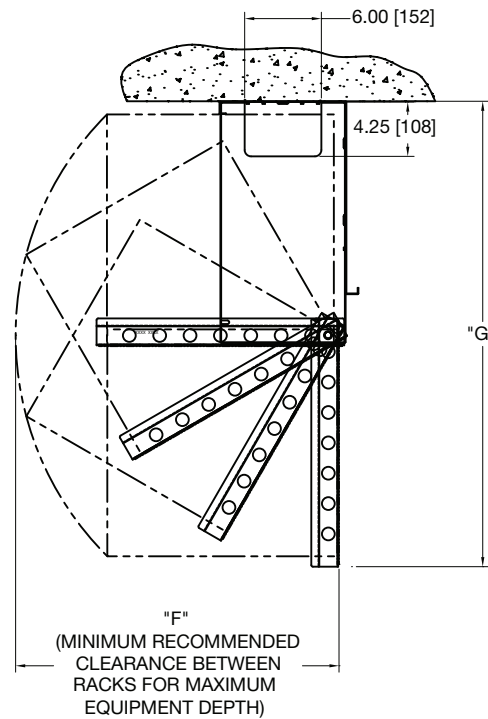
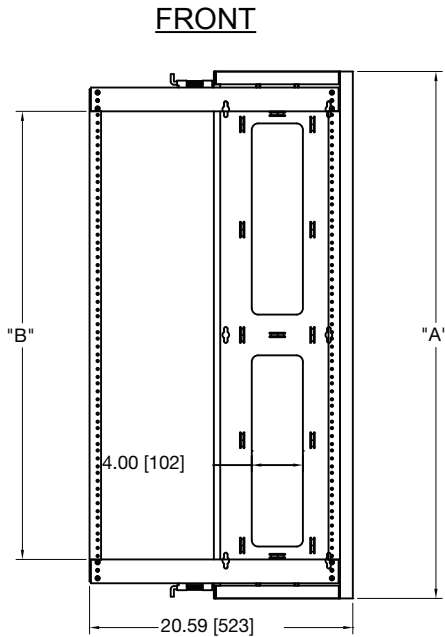
EIA/TIA compliant swing gate rack shall be Middle Atlantic Products model # SGR-__-__ (refer to chart). SGR shall be constructed of the following materials: back pan shall be 16-gauge steel, gate shall be 14-gauge steel, rackrail shall be 11-gauge steel with tapped 10-32 holes in universal EIA spacing. Swing gate rack shall have a 100 lb. weight capacity. SGR shall be finished in a durable black powder coat. SGR shall be GREENGUARD Indoor Air Quality Certified for Children and Schools. SGR shall be RoHS EU Directive 2002/95/EC compliant. SGR shall be manufactured by an ISO 9001 and ISO 14001 registered company. SGR shall be warranted to be free from defects in material or workmanship under normal use and conditions for the lifetime of the product.

CUSTOMIZABLE SPECIFICATION CLIPS AVAILABLE AT MIDDLEATLANTIC.COM

SGR basic dimensions



NOTE: USEABLE RACK DEPTH FROM FRONT OF RACK RAILS IS 1.12 LESS THAN "C" DIM.



Part #	Overall Height "A"	Racking Height "B"	Overall Depth "C"	Opening Width "D"	Opening Height "E"	Minimum Clearance Between Racks "F"	Clearance From Wall "G"
SGR-12-12	27.22	21.00 / 12 SP	13.03	3.00	7.95	23.25	30.41
SGR-20-12	41.22	35.00 / 20 SP	13.03	3.00	14.95	23.25	30.41
SGR-12-18	27.22	21.00 / 12 SP	19.03	9.00	7.95	27.12	36.41
SGR-20-18	41.22	35.00 / 20 SP	19.03	9.00	14.95	27.12	36.41

