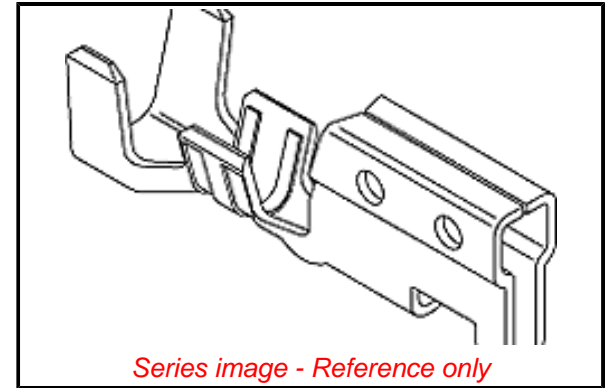


**PLEASE CHECK WWW.MOLEX.COM FOR LATEST PART INFORMATION**

**Part Number:** [0008701031](#)  
**Status:** **Active**  
**Overview:** SPOX™ BMI Connector System  
**Description:** SPOX™ Crimp Terminal 5194, 18-24 AWG, Brass, Reel

**Documents:**

<a href="#">Drawing (PDF)</a>	<a href="#">Product Specification PS-5196-004 (PDF)</a>
<a href="#">Product Specification PS-5096-003 (PDF)</a>	<a href="#">Product Specification PS-5196-005 (PDF)</a>
<a href="#">Product Specification PS-5195-001 (PDF)</a>	<a href="#">Product Specification PS-5196-006-001 (PDF)</a>
<a href="#">Product Specification PS-5195-002 (PDF)</a>	<a href="#">Product Specification PS-5197-001 (PDF)</a>
<a href="#">Product Specification PS-5195-003 (PDF)</a>	<a href="#">Product Specification PS-5197-003 (PDF)</a>
<a href="#">Product Specification PS-5195-005-001 (PDF)</a>	<a href="#">Product Specification PS-5197-004 (PDF)</a>
<a href="#">Product Specification PS-5195-006-001 (PDF)</a>	<a href="#">Product Specification PS-5198-001-001 (PDF)</a>
<a href="#">Product Specification PS-5195-007-001 (PDF)</a>	<a href="#">Product Specification PS-5273-003 (PDF)</a>
<a href="#">Product Specification PS-5195-009 (PDF)</a>	<a href="#">Product Specification PS-5273-004 (PDF)</a>
<a href="#">Product Specification PS-5195-010 (PDF)</a>	<a href="#">Packaging Specification 51949200-200 (PDF)</a>
<a href="#">Product Specification PS-5195-011 (PDF)</a>	<a href="#">RoHS Certificate of Compliance (PDF)</a>
<a href="#">Product Specification PS-5196-001 (PDF)</a>	



**General**

Product Family	Crimp Terminals
Series	5194
Application	Signal
Crimp Quality Equipment	Yes
Overview	<a href="#">SPOX™ BMI Connector System</a>
Packaging Alternative	<a href="#">08-70-1030 (Loose)</a>
Product Name	SPOX™
UPC	800753534896

**Physical**

Gender	Female
Material - Metal	Brass
Material - Plating Mating	Tin
Material - Plating Termination	Tin
Net Weight	185.000/mg
Packaging Type	Reel
Plating min - Mating	0.889µm
Plating min - Termination	0.889µm
Termination Interface: Style	Crimp or Compression
Wire Insulation Diameter	1.30-3.20mm
Wire Size AWG	18, 20, 22, 24
Wire Size mm²	N/A

**Material Info**

Engineering Number	5194T
--------------------	-------

**Reference - Drawing Numbers**

Crimp Specification	CS-5194, CS-5194(S)
Packaging Specification	51949200-200
Product Specification	PS-5096-003, PS-5195-001, PS-5195-002, PS-5195-003, PS-5195-005-001, PS-5195-006-001, PS-5195-007-001, PS-5195-009, PS-5195-010, PS-5195-011, PS-5196-001, PS-5196-004, PS-5196-005, PS-5196-006-001, PS-5197-001, PS-5197-003, PS-5197-004, PS-5198-001-001, PS-5273-003, PS-5273-004
Sales Drawing	SD-5194-001

**EU ELV**

**Not Relevant**

**EU RoHS**

**Compliant**

**REACH SVHC**

Not Contained Per - ED/30/2017 (7 July 2017)

**Halogen-Free**

**Status**

**Low-Halogen**

**Need more information on product environmental compliance?**

Email [productcompliance@molex.com](mailto:productcompliance@molex.com)  
Please visit the [Contact Us](#) section for any non-product compliance questions.

China ROHS

ELV

RoHS Phthalates

Green Image

Not Relevant

Not Contained

**Search Parts in this Series**

[5194 Series](#)

**Use With**

[5195](#) , [5196](#) , [5197](#) , [5198](#) , [5199](#)

This document was generated on 07/27/2017

**PLEASE CHECK [WWW.MOLEX.COM](http://WWW.MOLEX.COM) FOR LATEST PART INFORMATION**